



INSTRUCTIONS

J05635

2012-09-21



BURST COLLECTION PASSENGER FOOTBOARD KIT

GENERAL

Kit Number

50500245

Models

For model fitment information, see the P&A Retail Catalog or the Parts and Accessories section of www.harley-davidson.com (English only).

Additional Parts Required

NOTE

This kit requires your motorcycle to be equipped with passenger footboard supports. Footboard supports are available as separate kits. See your authorized dealer for support kit.

▲ WARNING

Rider and passenger safety depend upon the correct installation of this kit. If the procedure is not within your capabilities or you do not have the correct tools, have a Harley-Davidson dealer perform the installation. Improper installation of this kit could result in death or serious injury. (00308b)

NOTE

This instruction sheet references service manual information. A service manual for your model motorcycle is required for this installation and is available from a Harley-Davidson dealer.

Kit Contents

See Figure 1 and Table 1.

INSTALLATION

1. See Figure 1. Install footboard support brackets (B) if not currently installed or remove footboards following the instructions in the service manual.
2. Install footboard assembly onto support bracket (B). Be careful not to unseat the steel ball (C).
3. Install pivot pin (A) from support bracket through floorboard assembly.
4. Install set screws (4) and tighten to 11.3–13.6 N·m (100–120 in-lbs).
5. Repeat for the other side.

SERVICE PARTS

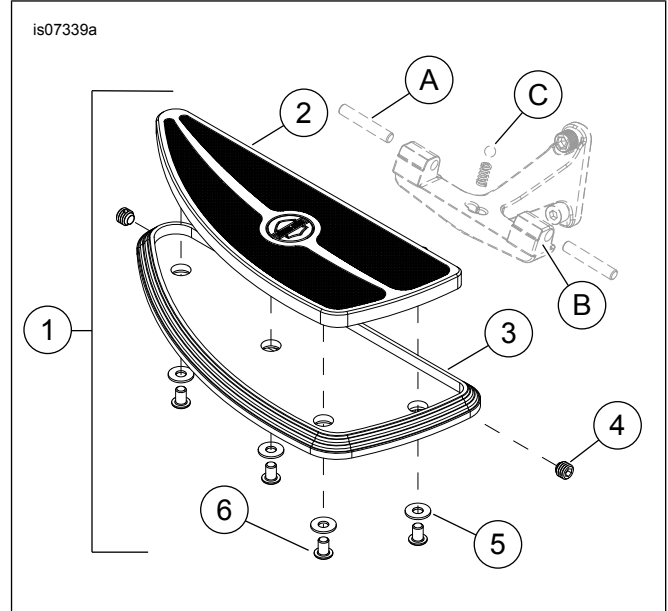


Figure 1. Service Parts: Burst Collection Passenger Footboard Kit

Table 1. Kit Contents

Item	Description (Qty)	Part Number
1	Footboard Assembly, right	50500273
	Footboard Assembly, left (not shown)	50500274
2	Rubber insert, right	Not Sold Separately
	Rubber insert, left (not shown)	Not Sold Separately
3	Footboard pan, right	Not Sold Separately
	Footboard pan, left (not shown)	Not Sold Separately
4	Set screw (4)	10200216
5	Washer (8)	10300039
6	Screw (8)	94553-98
Items referenced in text but not included in kit:		
A	Pivot pin	
B	Footboard support bracket	
C	Steel ball	

