



INSTRUCTIONS

94100036

2019-08-22



ONYX PREMIUM LUGGAGE TOURPAK RACK BAG

GENERAL INFORMATION

Table 1. General Information

Kits	Suggested Tools	Skill Level ⁽¹⁾	Time
93300123, 93300124	Safety Glasses		1 hour

(1) Only simple tools and techniques required

KIT CONTENTS

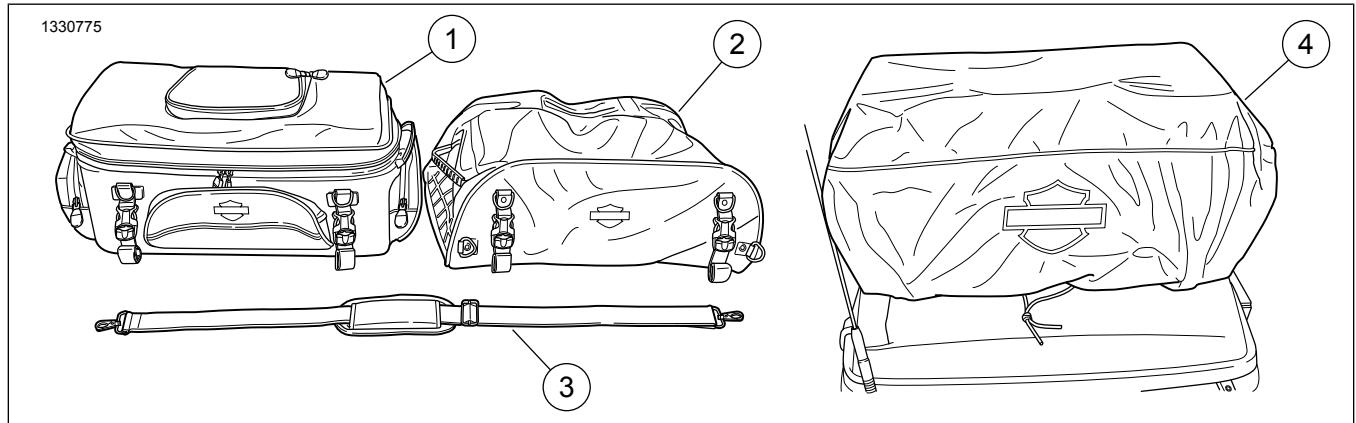


Figure 1. Kit Contents: Premium Luggage Components

Table 2. Kit Contents: Premium Luggage Components

<input checked="" type="checkbox"/>	Item	Qty	Description	Part No.	Notes
<input type="checkbox"/>	1	1	Bag, T-Pak Rack (includes items 3 and 4)	93300123	
<input type="checkbox"/>	2	1	Bag, T-Pak Collapsible (includes items 3 and 4)	93300124	
<input type="checkbox"/>	3	1	Shoulder straps	93300133	
<input type="checkbox"/>	4	1	Rain Cover, T-Pak Rack	93100066	
<input type="checkbox"/>			Rain Cover, T-Pak Collapsible	93100067	

NOTE

Verify all contents are present in the kit before installing or removing items from vehicle.

Contact Harley-Davidson Customer Support Center at 1-800-258-2464 (U.S. only) or 1-414-343-4056.

Installation Requirements

⚠ WARNING

Rider and passenger safety depend upon the correct installation of this kit. If the procedure is not within your capabilities or you do not have the correct tools, have a Harley-Davidson dealer perform the installation. Improper installation of this kit could result in death or serious injury. (00308b)

GENERAL

Models

For model fitment information, see the P&A Retail Catalog or the Parts and Accessories section of www.harley-davidson.com (English only).

Verify that the most current version of the instruction sheet is used. It is available at: www.harley-davidson.com/isheets

Separate purchase and installation of additional parts or accessories may be required for proper installation of this kit. see the P&A Retail Catalog or the Parts and Accessories section of www.harley-davidson.com (English only) for a list of required parts and accessories.

INSTALL

Harley-Davidson cannot test and make specific recommendations regarding every accessory or combination of accessories sold, the rider must assume responsibility for safe operation of the motorcycle when installing accessories or carrying additional weight. Use the following guidelines when equipping a motorcycle or carrying passengers and cargo.

▲ WARNING

See **ACCESSORIES AND CARGO** section within the **SAFETY FIRST** section in your owner's manual. Improper cargo loading or accessory installation can cause component failure and adversely affect stability, handling and performance, which could result in death or serious injury. (00021c)

- Bag **MUST** be installed with the following:
 - a. See Figure 6 or Figure 7. Secure four straps with quick-release buckles to luggage rack.
- When installed on a luggage rack, do not exceed the load limit of the luggage rack.
- Weight of bag and contents must not exceed weight limit of luggage rack 10 lbs (4.5 kg).
- Verify that all straps are secured to prevent strap contact with rear wheel during motorcycle operation.
- Verify that bag, mounting straps, rain cover and other components of luggage system do not cover or obstruct visibility of reflectors and lighting.
- Periodically recheck load.
- See owner's manual for recommended tire inflation pressure.

▲ WARNING

Do not exceed the motorcycle's **Gross Vehicle Weight Rating (GVWR)** or **Gross Axle Weight Rating (GAWR)**. Exceeding these weight ratings can lead to component failure and adversely affect stability, handling and performance, which could result in death or serious injury. (00016f)

- GVWR is the total weight of the motorcycle, accessories, rider, passenger and cargo that can be safely carried.
- GAWR is the maximum amount of weight that can be safely carried on one axle.
- GVWR and GAWR are shown on the information plate, located on the frame downtube.

Premium Shoulder Strap

1. Figure 2 Hook ends of strap to D-rings on each side of bag.

NOTE

Store shoulder strap in bag before operating vehicle.

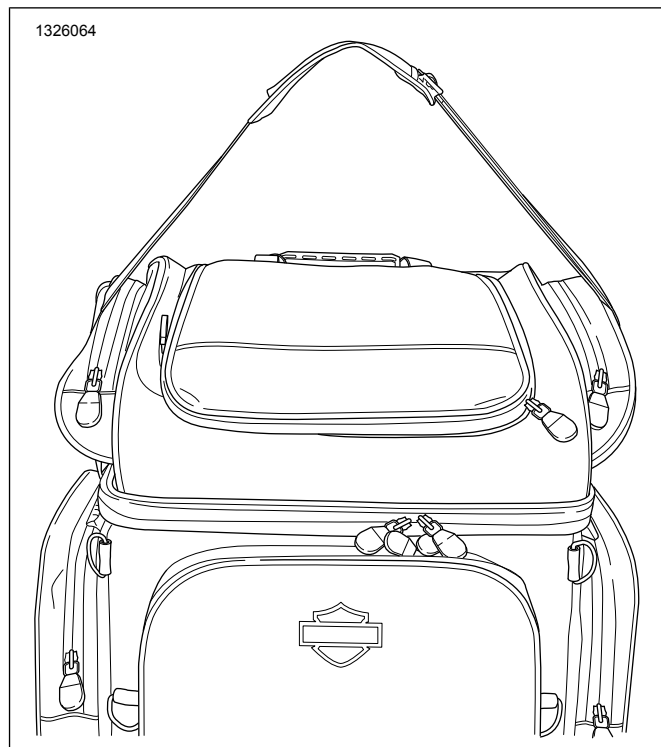


Figure 2. Shoulder Strap (Typical)

Quick Release Buckles

1. See Figure 3. Disconnect quick release buckles and clasps.

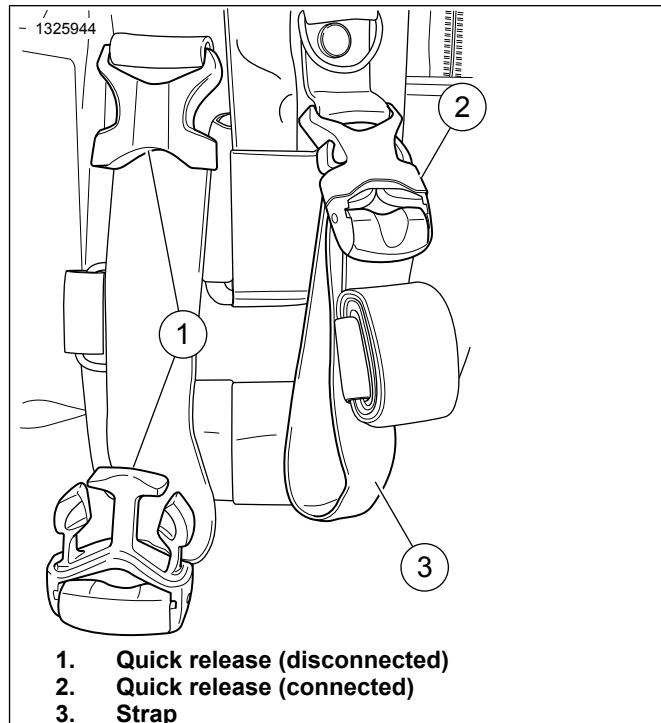


Figure 3. Quick Release Buckle

2. Secure straps to suitable vehicle structure.
3. Connect quick release buckles.
4. Pull straps tight to secure bag to vehicle.

5. See Figure 4. Close clasp to secure strap tightness.

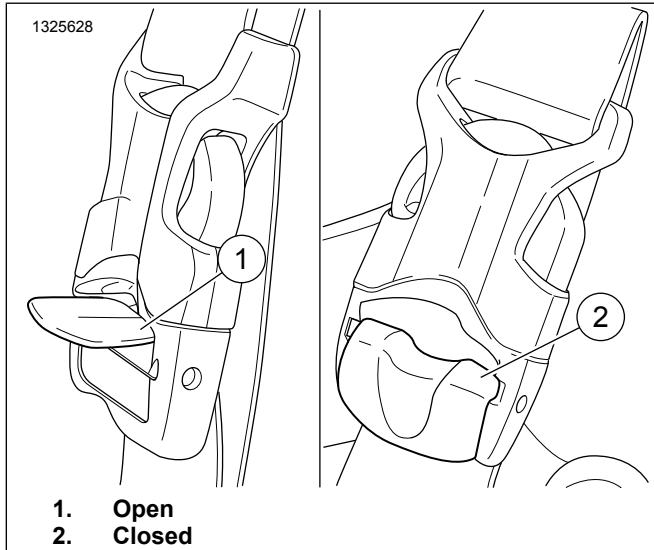


Figure 4. Open/Close Clasp

6. Check that bag is securely fastened to vehicle.
7. See Figure 5. Roll up and secure any excess strap material using hook-and-loop tabs to prevent straps from contacting the rear wheel or scratching or scuffing painted surfaces.

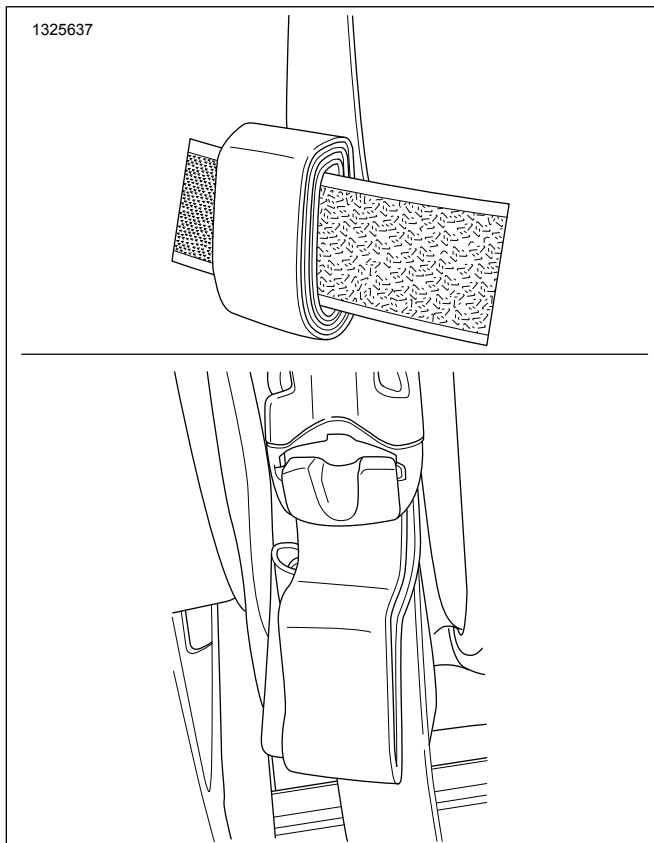


Figure 5. Excess Strap Material

T-Pak Bag

NOTE

A Tour-Pak luggage rack is required to mount bag.

1. Figure 6 Position bag on luggage rack.
2. Quick Release Buckles Attach the four quick release clasp buckle straps.

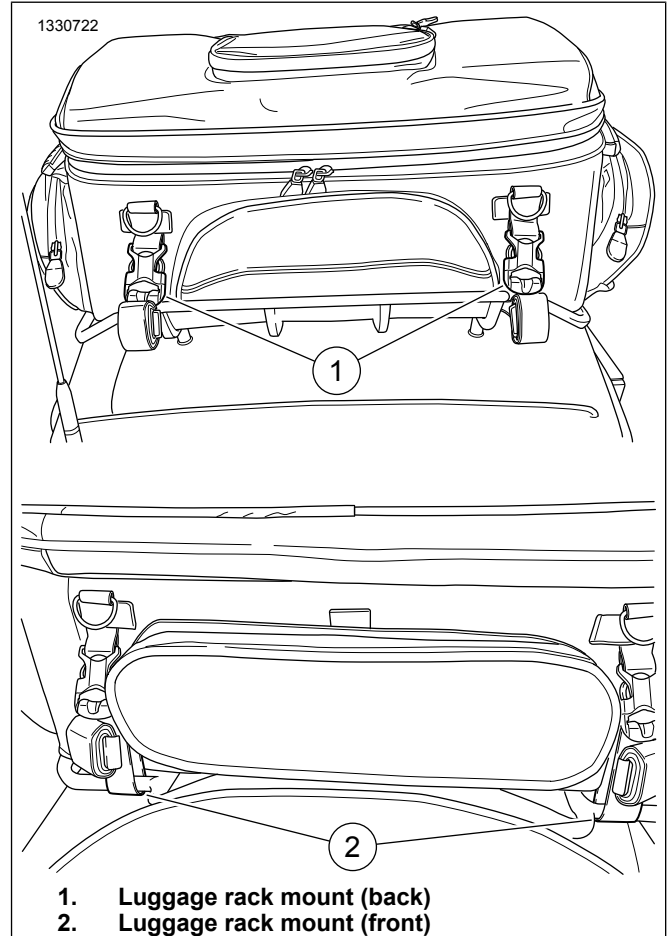


Figure 6. T-Pak Bag

T-Pak Collapsible Bag

NOTE

A Tour-Pak luggage rack is required to mount bag.

1. Figure 7 Position bag on luggage rack.
2. Quick Release Buckles Attach the four quick release clasp buckle straps.

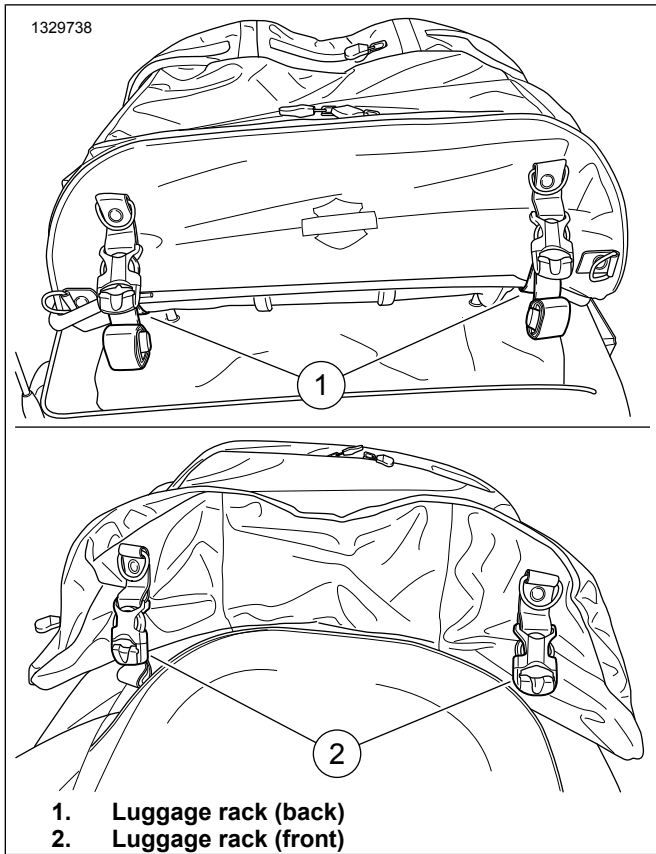


Figure 7. T-Pak Collapsible Bag

3. Allow material to dry naturally and completely before use or storage.
4. Do not use artificial means to dry material quickly.
5. Contains one or more of the following materials:
 - a. Polyester
 - b. Polypropylene
 - c. Polyvinyl Chloride

Rain Cover

1. Figure 8 Pull rain cover over entire bag with Bar and Shield facing rear of bag.
2. Pull draw string at bottom of cover to tighten and secure with barrel lock.

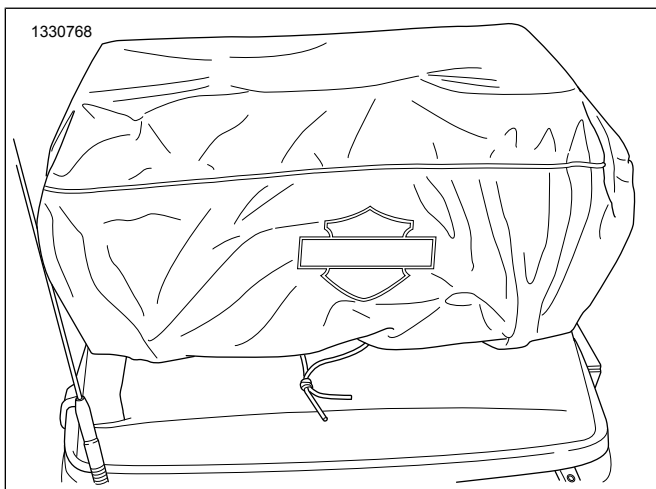


Figure 8. Rain Cover

CARE AND MAINTENANCE

1. Use a lint free cloth to wipe off any dust or dirt.
2. Thoroughly clean outer surface with warm water and a mild detergent.