



INSTRUCTIONS

J02048

2022-08-05



FOOTPEG BOLT KIT

GENERAL INFORMATION

Table 1. General Information

Kits	Suggested Tools	Skill Level ⁽¹⁾
94133-01 (Chrome)	Safety Glasses, Torque Wrench, Loctite 243 Blue	

(1) Tightening to torque value or other moderate tools and techniques required

KIT CONTENTS

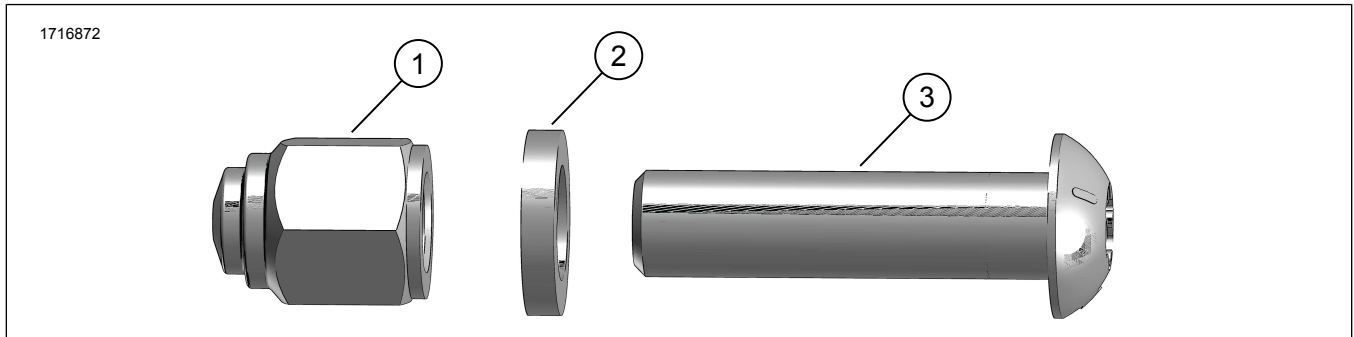


Figure 1. Kit Contents: Footpeg Screw Kit

Table 2. Kit Contents: Footpeg Screw Kit

Verify that all contents are present in the kit before installing or removing items from vehicle.					
<input checked="" type="checkbox"/>	Item	Qty	Description	Part No.	Notes
<input type="checkbox"/>	1	2	Nut, chrome	8023	
<input type="checkbox"/>	2	2	Washer, chrome	94128-01	
<input type="checkbox"/>	3	2	Screw, TORX [®] , button head, chrome	4233	

GENERAL

Models

For model fitment information, see the Parts and Accessories (P&A) Retail Catalog or the Parts and Accessories section of www.harley-davidson.com.

Verify that the most current version of the instruction sheet is used. It is available at: h-d.com/isheets

Contact Harley-Davidson Customer Support Center at 1-800-258-2464 (U.S. only) or 1-414-343-4056.

Installation Requirements

⚠ WARNING

Rider and passenger safety depend upon the correct installation of this kit. If the procedure is not within your capabilities or you do not have the correct tools, have a Harley-Davidson dealer perform the installation. Improper installation of this kit could result in death or serious injury. (00308b)

NOTE

The bolts supplied in this kit are designed for a one-time installation only. If this kit is removed after initial installation, you must re-apply Loctite 243 (Blue) to the threads of the bolts.

REMOVE

- Remove nut (3) and screw (1) from footpeg mount (4). Discard nut and screw.

INSTALLATION

1. Apply threadlocker to screw (1).
Consumable: LOCTITE 243 MEDIUM STRENGTH
THREADLOCKER AND SEALANT (BLUE) (99642-97)
2. Figure 2 Install footpeg with **new** washer (2) and screw (1).
3. Install **new** nut (3). Tighten.
Torque: 13.6–21.7 N·m (10–16 ft-lbs)
4. Repeat steps for opposite side.

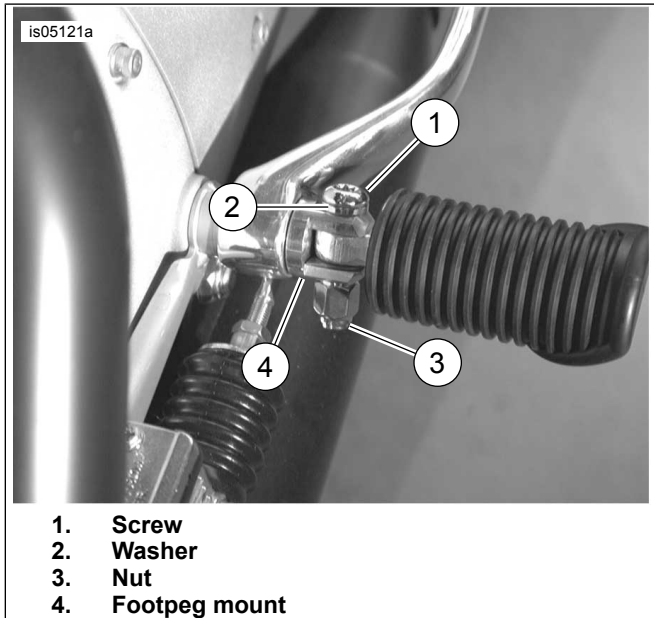


Figure 2. Footpeg Screw Installation