



INSTRUCTIONS

J06316

2023-01-09



AIR CLEANER COVER INSERTS

GENERAL

Kit Numbers

29400345, 61300654, 61300655, 61300656, 61300657, 61300658, 61300900, 61301025, 61301326

Models

For model fitment information, see the P&A retail catalog or the Parts and Accessories section of www.harley-davidson.com (English only).

Installation Requirements

LOCTITE 243 MEDIUM STRENGTH THREADLOCKER AND SEALANT (BLUE) (99642-97) is required for proper installation of this kit.

⚠ WARNING

Rider and passenger safety depend upon the correct installation of this kit. If the procedure is not within your capabilities or you do not have the correct tools, have a Harley-Davidson dealer perform the installation. Improper installation of this kit could result in death or serious injury. (00308b)

Kit Contents

See Figure 1, Figure 2, Figure 3 and Table 1.

The insert attaching screws (1) are the only service parts available with this kit (excluding Kit #61300900).

PREPARATION

- See Figure 1. Remove the original equipment (OE) insert from the air cleaner cover (B).
 - Push a thin-blade putty knife between trim (3) and air cleaner cover while pulling trim away from cover.
 - Remove all tape and adhesive residue from the air cleaner cover.

NOTE

Air cleaner cover (B) and gasket (C) do not require removal.

- Remove OE screw (A). Save for assembly.

NOTE

See Figure 3. Insert without gasket the OE screw (A) does not have to be removed.

NOTE

Bare Aluminum Wheel Protectant Wipes (93600063) can be applied to "RideFree" text for added corrosion protection.

INSTALLATION

"Live To Ride" Insert

- See Figure 1. Thoroughly clean area (D) with a 50:50 mix of rubbing alcohol and water. Allow to dry completely.
- Align the gasket (4) to the back side of the trim plate (3).
- Leave Dual Lock fastener (5) mating halves assembled to the trim plate. Remove tape protecting adhesive on exposed face of each fastener.

NOTE

Verify that gasket (4) has not become dislodged.

- Visually align trim plate (3) with cover (B). Press firmly in fastener area (D) to secure. Hold for 30 seconds.
- Insert the OE screw (A) removed earlier. Apply a few drops of Loctite 243 Medium Strength Threadlocker and Sealant (blue) to the **clean** screw threads. Tighten screw.
Torque: 4.1–6.8 N·m (36–60 **in-lbs**) screw
- Leave Dual Lock fastener attached to the decorative insert (2). Remove tape protecting adhesive on exposed face of each fastener.
- Visually align decorative insert with trim plate (3). Press firmly in fastener area (E) to secure. Hold for 30 seconds.
- Install the screws (1). Tighten securely.

Insert With Gasket

- See Figure 2. Thoroughly clean area (D) with a 50:50 mix of rubbing alcohol and water. Allow to dry completely.
- Leave (if applicable) Dual Lock fastener (5) halves assembled to the trim plate. Remove tape protecting adhesive on the exposed face of each fastener.

NOTE

Verify that gasket (4) has not become dislodged.

- Visually align trim plate (3) with cover (B). Press firmly in fastener area (D) to secure. Hold for 30 seconds.
- Insert the OE screw (A) removed earlier. Apply a few drops of Loctite 243 Medium Strength Threadlocker and Sealant (blue) to the **clean** screw threads. Tighten screw.
Torque: 4.1–6.8 N·m (36–60 **in-lbs**) screw



5. Install the decorative insert (2) with screws (1). Tighten securely.

Insert Without Gasket

1. See Figure 3. Thoroughly clean area (D) with a 50:50 mix of rubbing alcohol and water. Allow to dry completely.
2. Remove tape protecting the adhesive pads on the inside of the decorative insert (2).
3. Visually align decorative insert with cover (B). Press firmly in fastener area (D) to secure. Hold for 30 seconds.

Kit 61301025:

1. See Figure 4. Leave dual lock installed on trim.
2. Remove tape protecting the adhesive pads.
3. Press firmly in fastener area (D) to secure. Hold for 30 seconds.
4. Let adhesive sit for a minimum of 24 hours before removing for service or realignment.

NOTE

Insert is removable to service however, adhesive should dwell for 24 hours before removal.

SERVICE PARTS

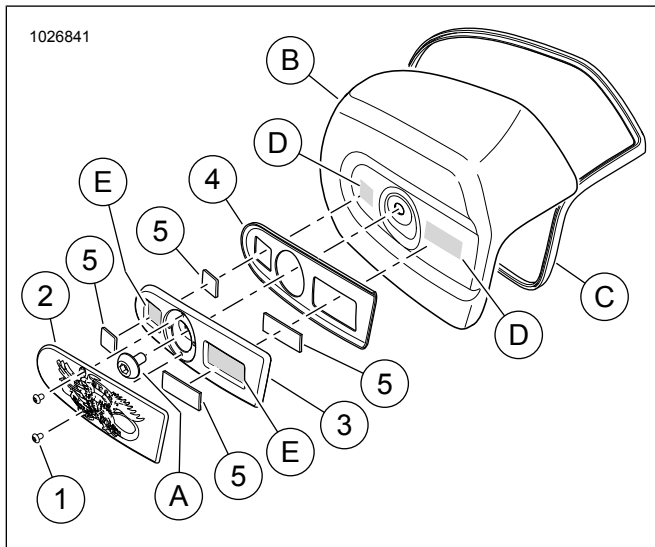


Figure 1. Service Parts, Live to Ride Air Cleaner Trim Kit

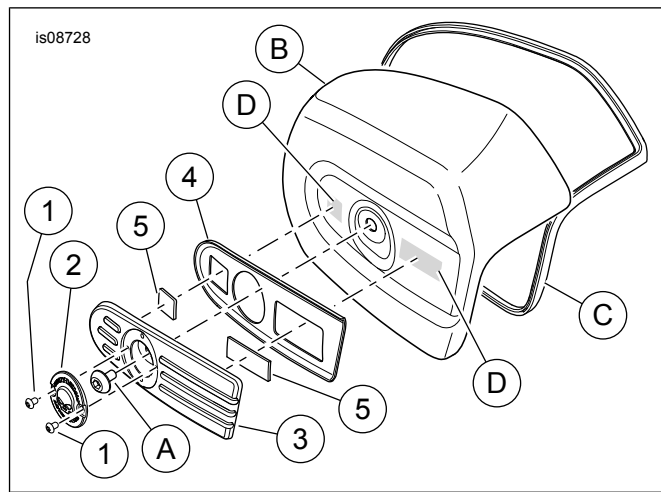


Figure 2. Service Parts, Air Cleaner Trim Kits With Gaskets

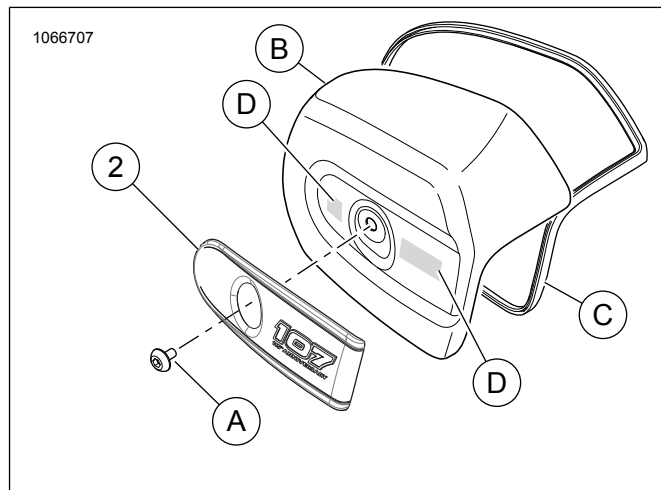


Figure 3. Service Parts, Air Cleaner Trim Kits Without Gaskets

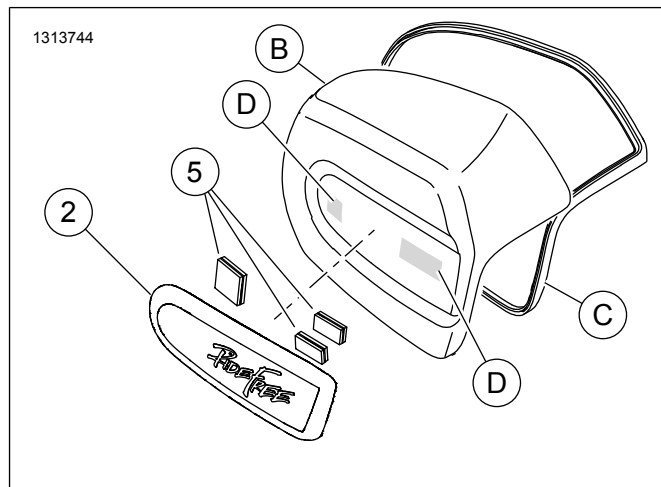


Figure 4. Service Parts, RideFree Air Cleaner Trim Kit

Table 1. Service Parts

Item	Description (Quantity)	Part Number
1	Screw, TORX® head (2), #8-36 x 1/4 in long	10500039
	Screw, TORX® head (2), #8-36 x 1/4 in long (Kit 29400345)	10200552

Table 1. Service Parts

Item	Description (Quantity)	Part Number
2	Decorative insert	Not sold separately
3	Trim plate	Not sold separately
4	Gasket	Not sold separately
5	Dual Lock fastener	Not sold separately
Items mentioned in text, but not included in kit.		
A	Original equipment (OE) screw	
B	OE air cleaner cover assembly	
C	OE air cleaner cover gasket	
D	Thoroughly clean shaded area	
E	Thoroughly clean shaded area	

NOTE

Air cleaner trim kits without gaskets only come with a decorative insert.