



# INSTRUCTIONS

J04898

2014-06-30



## H-D DETACHABLES XL UPRIGHT KIT

### GENERAL

#### Kit Number

51146-10A, 52300040A

#### Models

For model fitment information, see the P&A Retail Catalog or the Parts and Accessories section of [www.harley-davidson.com](http://www.harley-davidson.com) (English only).

#### Installation Requirements

Separate purchase of additional parts or accessories may be required for proper installation of this H-D® Detachables™ Kit. See the P&A retail catalog or the Parts and Accessories section of [www.harley-davidson.com](http://www.harley-davidson.com) (English only) for a list of required parts or accessories.

#### ⚠ WARNING

Rider and passenger safety depend upon the correct installation of this kit. If the procedure is not within your capabilities or you do not have the correct tools, have a Harley-Davidson dealer perform the installation. Improper installation of this kit could result in death or serious injury. (00308b)

#### ⚠ WARNING

Federal Motor Vehicle Safety Standard (FMVSS) 108 requires motorcycles to be equipped with rear and side reflectors. Be sure rear and side reflectors are properly mounted. Poor visibility of rider to other motorists can result in death or serious injury. (00336b)

#### ⚠ WARNING

After installing sissy bar/sideplate assembly, pull upward to be sure it is locked in position. While riding, a loose sissy bar/sideplate assembly can shift causing loss of control, which could result in death or serious injury. (00388a)

#### Kit Contents

See Figure 3 and Table 1.

### INSTALLATION

#### Install Docking Point Kit

Install the docking point kit following the instructions in that kit.

#### Passenger Upright Installation

1. See Figure 1. Stand behind the motorcycle, and place (10) the front upright notches (2) into the front docking points (3).

2. See Figure 2. Check for correct notch engagement.

#### NOTE

*Failure to correctly engage the sideplate notches to the docking points may result in damage to the rear docking points.*

3. See Figure 1. Push (11) the rotary latches (4) into their most forward position. Align the latches over the rear docking points (7), making sure the latches and rear notches (6) fit into the neck (8) of the rear docking points.

#### NOTE

*This may require some gentle squeezing or spreading of the upright sideplates.*

4. Push downward (12) on the sideplates, and close the rotary latches by pulling (13) the latch levers as far back as they will go. A click will be heard when the latch is in place. **If the latch does not close, do not force it.**



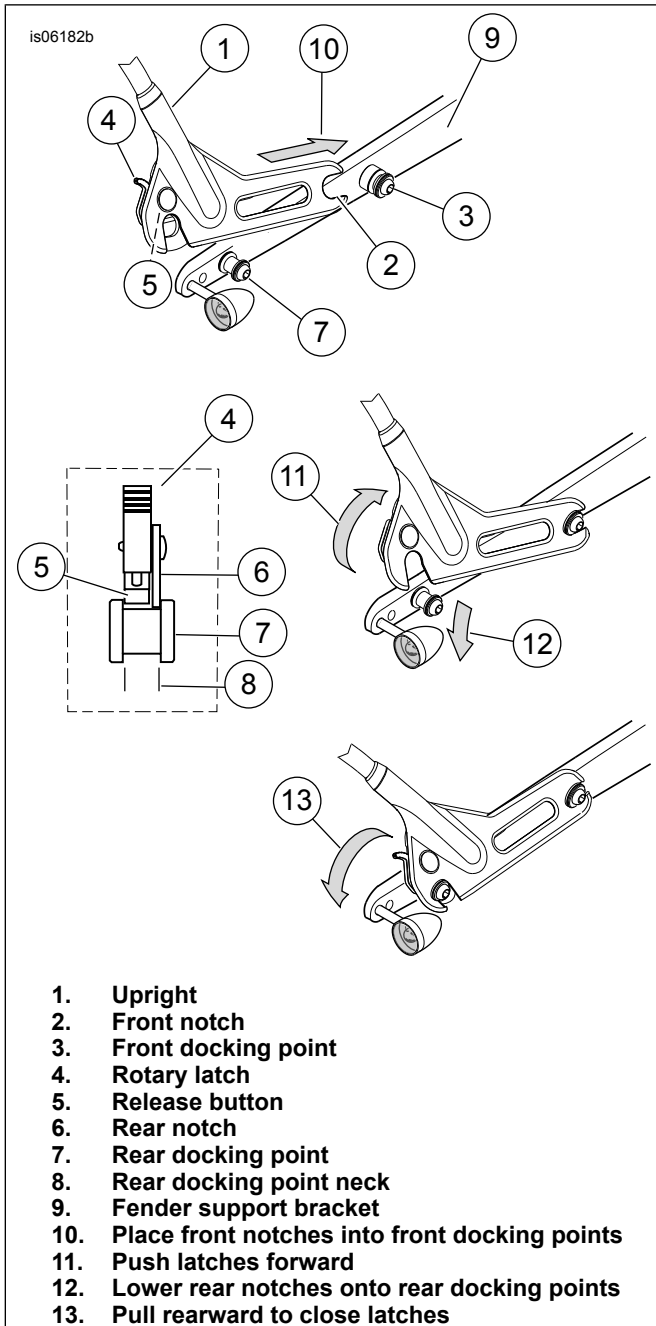


Figure 1. Detachable Upright

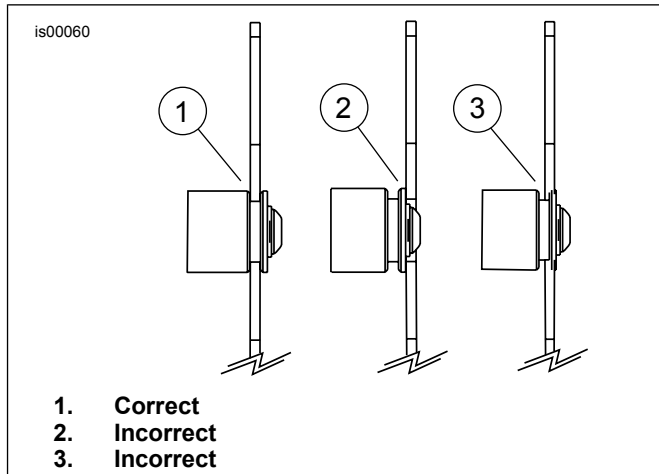


Figure 2. Upright Notch to Docking Point Engagement

5. See Figure 2. Re-check for correct notch engagement.
6. If rear side reflectors for this model motorcycle were included in the Docking Hardware Kit or Saddlebag Kit, remove the original equipment reflectors and install the reflectors supplied with **that** kit.

## REMOVAL

To remove the upright, press the release buttons and push the rotary latches forward. Carefully lift the rear of the sideplates up, and pull the upright out of the front docking points.

## SERVICE PARTS

is06180b

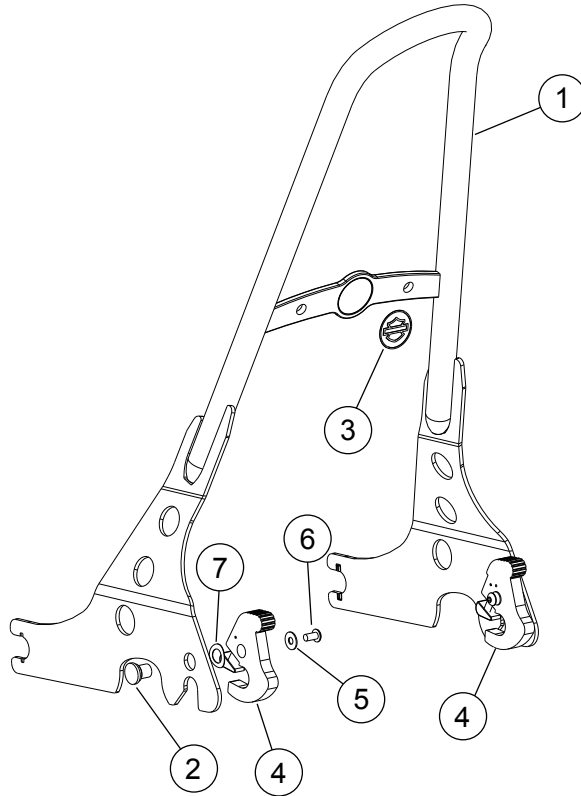


Figure 3. Service Parts: H-D Detachables XL Upright Kit

Table 1. Service Parts Table

Item	Description (Quantity)	Part Number
1	Detachable upright	Not Sold Separately
2	Stud, pivot (2)	Not Sold Separately
3	Bar & Shield logo	13883-00
4	Latch assembly (2) (includes items 6-10)	50300108
5	Flatwasher	6827
6	Button head screw	Not Sold Separately
7	Wave spring washer	6828
8	Roll pin, stainless steel (not shown)	Not Sold Separately
9	Compression spring (not shown)	53602-95