



INSTRUCTIONS

J06746

2018-08-01



SOFT LOWER KIT

GENERAL

Kit Number

57100366

Models

For model fitment information, see the P&A retail catalog or the Parts and Accessories section of www.harley-davidson.com (English only).

Installation Requirements

⚠ WARNING

Rider and passenger safety depend upon the correct installation of this kit. If the procedure is not within your capabilities or you do not have the correct tools, have a Harley-Davidson dealer perform the installation. Improper installation of this kit could result in death or serious injury. (00308b)

Prior or concurrent installation of a front engine guard is required for proper installation of these soft lowers.

Soft lowers are not compatible with Mustache or Nostalgic style engine guards.

Kit Contents

This kit consists of a right and left engine guard soft lower and these instructions. There are no service parts available for this kit.

INSTALLATION

NOTE

The soft lowers are side-specific. The lowers install with Bar & Shield facing forward and large opening inboard.

See Figure 1. The zippered opening (5) along outer edge allows soft lowers to fit with highway footpegs (4).

1. Select one of the soft lowers (3), slip it over correct side of engine guard (2).
2. Wrap strap (8) around frame downtube (1), and feed through cam buckle (7).

NOTE

Do not put straps over clutch cable.

3. Position strap (8) to provide clearance to hot engine components.
4. Adjust fit by pulling strap (8) tight to secure soft lower (3) to frame downtube (1).

5. Push down on cam buckle (7), secure strap (8) in center of soft lower (3).
6. Wrap cam buckle (7) with two attached pieces of hook-and-loop (9) to secure cam buckle from opening.
7. Press male and female snaps (6) together around perimeter of soft lower (3) to capture engine guard (2).
8. Close zippers (5) around highway peg (4) (if equipped).
9. Verify clearance to clutch and brake pedals.
10. Repeat for opposite side of vehicle.

REMOVAL

1. Separate hook-and-loop (9) on soft lower (3).
2. Open cam buckle (7) and feed strap (8) through to release.
3. Release snaps (6) to free rear of soft lower (3) from front.
4. Slide soft lower (3) off of engine guard (2).
5. Repeat for opposite side of vehicle.

CARE INSTRUCTIONS

Normal dirt and grime should be brushed off with a soft cloth or removed with warm water and a mild detergent using a sponge or soft cloth. Soft lowers should be completely dry before installing on vehicle.

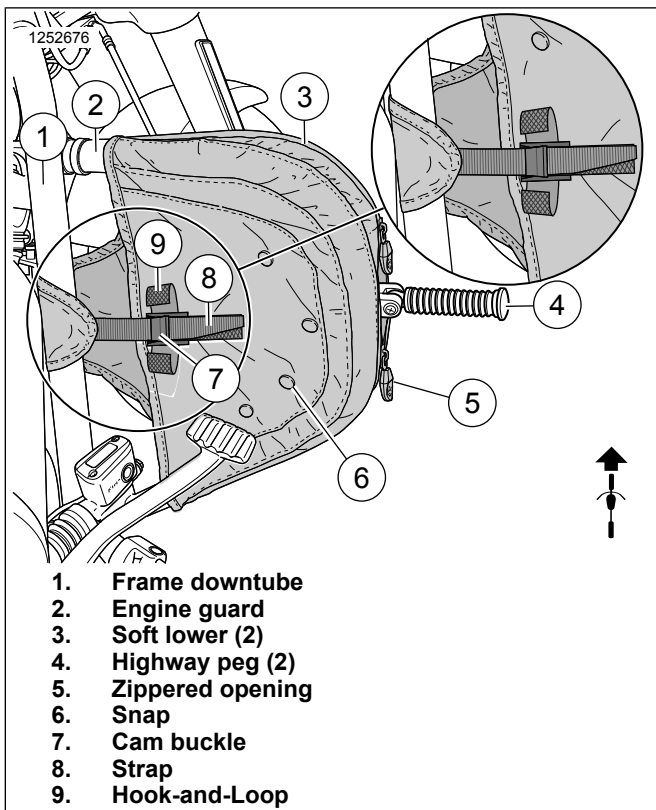


Figure 1. Softtail Engine Guard Soft Lower