



# INSTRUCTIONS

J06752

2020-02-12



## AXLE COVERS

Table 1. General Information

Kits	Suggested Tools	Skill Level <sup>(1)</sup>	Time
43000188, 43000189	Safety Glasses, Socket Wrench, Flat-head Screwdriver		1 hour

(1) Only simple tools and techniques required

### KIT CONTENTS

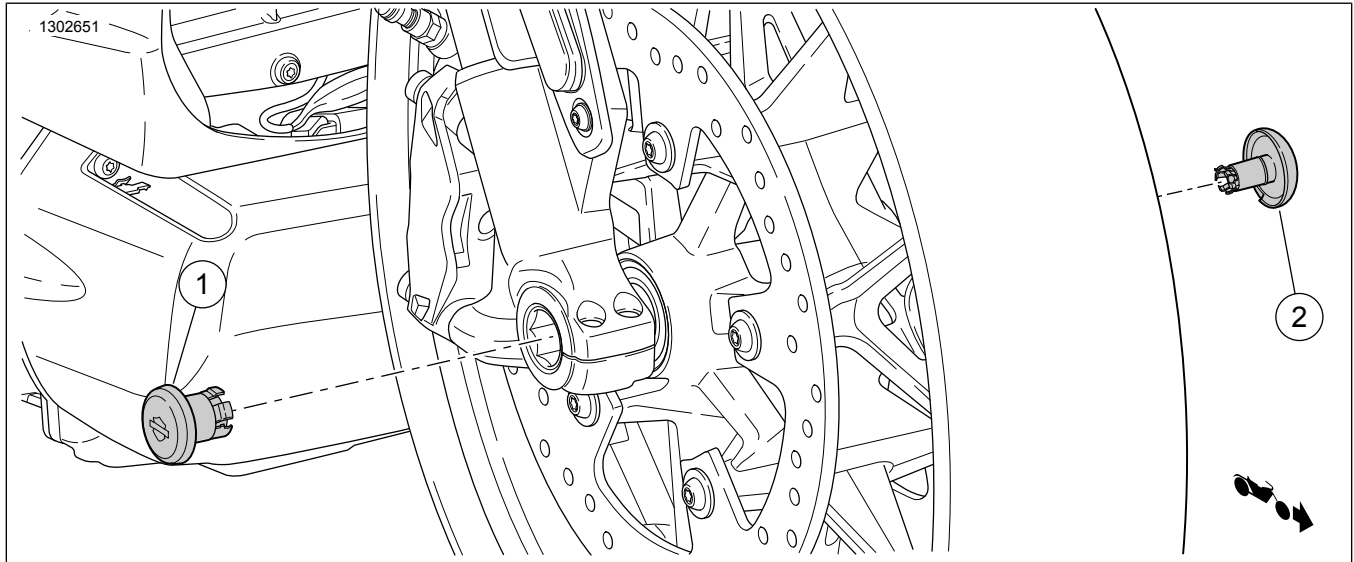


Figure 1. Kit Contents: Axle Covers

Table 2. Kit Contents: Axle Covers (Front shown)

<input checked="" type="checkbox"/>	Item	Qty	Description	Part No.	Notes
<input type="checkbox"/>	1	1	Axle cover, Large, (right side)	Not sold separately	
<input type="checkbox"/>	2	1	Axle cover, Small, (left side)	Not sold separately	
<input type="checkbox"/>	3	1	O-ring, (right side), not shown	11900162	
<input type="checkbox"/>			O-ring, (left side), not shown	11900161	

#### NOTE

Verify all contents are present in the kit before installing or removing items from vehicle.

Ensure you are using the most current version of the instruction sheet which is available at: [www.harley-davidson.com/isheets](http://www.harley-davidson.com/isheets)

Contact Harley-Davidson Customer Support Center at 1-800-258-2464 (U.S. only) or 1-414-343-4056.

### GENERAL

#### Models

For model fitment information, please see the P&A Retail Catalog or the Parts and Accessories section of [www.harley-davidson.com](http://www.harley-davidson.com) (English only).

## Installation Requirements

### ⚠ WARNING

Rider and passenger safety depend upon the correct installation of this kit. If the procedure is not within your capabilities or you do not have the correct tools, have a Harley-Davidson dealer perform the installation. Improper installation of this kit could result in death or serious injury. (00308b)

## REMOVE

1. See Figure 1. Open Original Equipment (OE) axle covers (1,2).
  - a. Place edge of screwdriver into notch located at the bottom of cover.
  - b. Gently pry outward to remove.

## INSTALL

1. See Figure 1. Install **new** left (hex) side axle cover (1).
  - a. Using socket wrench, loosely tighten hex nut until spring clip cannot free-spin.
  - b. Align spring clip to axle.
  - c. Gently press clip against axle and rotate to align bar and shield.
  - d. Once aligned, remove cover and fully tighten hex nut to secure spring clip.
  - e. Install cover by aligning spring clip with internal hex of axle.
  - f. Press firmly until cover is fully installed.
2. See Figure 1. Install **new** right (circular) side axle cover (2).
  - a. Align spring clip to axle.
  - b. Rotate to align bar and shield.
  - c. Press firmly until cover is fully installed.