



INSTRUCTIONS

J06775


2024-05-07



RIDER FOOTBOARD - TOURING

GENERAL INFORMATION

Table 1. General Information

Kits	Suggested Tools	Skill Level ⁽¹⁾
50501649, 50501680, 50501932, 50501933, 50501934, 50502250, 50502251, 50502476, 50502483	Safety Glasses, Torque Wrench	
<i>(1) Tightening to torque value or other moderate tools and techniques required</i>		

KIT CONTENTS

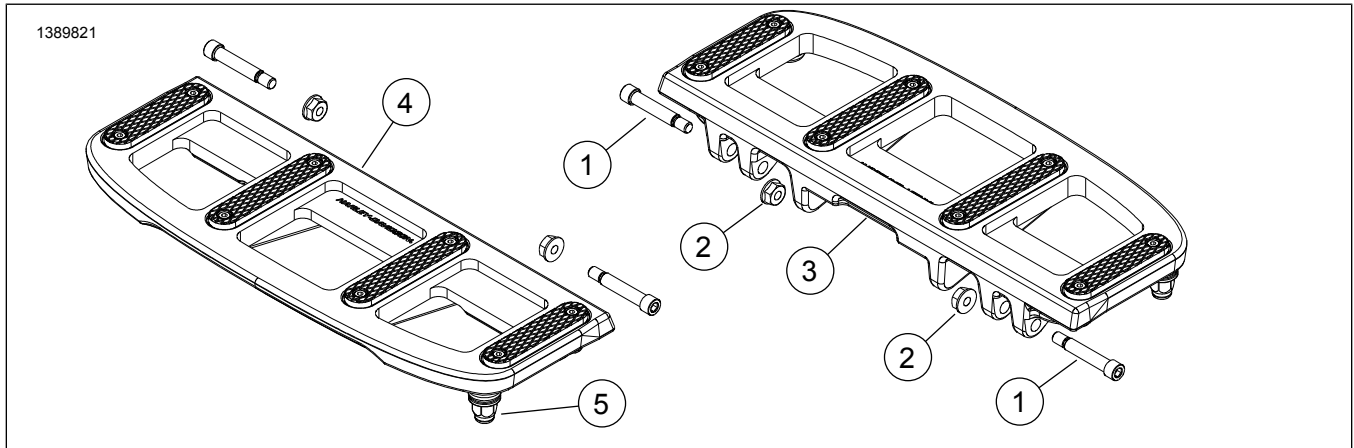


Figure 1. Kit Contents: Rider Footboard Components

Table 2. Kit Contents: Rider Footboard Components

<input checked="" type="checkbox"/>	Item	Qty	Description	Part No.	Notes
<input type="checkbox"/>	1	4	Screw	10200986	Not used on Switchback footboard.
<input type="checkbox"/>	2	4	Locking nut, flange	7716	Not used on Switchback footboard.
<input type="checkbox"/>	3	1	Footboard assembly, right side, graphite	50502093	Endgame Collection
<input type="checkbox"/>		1	Footboard assembly, right side, black	50502094	Endgame Collection
<input type="checkbox"/>		1	Footboard assembly, right side, chrome	50501926	Empire Collection
<input type="checkbox"/>		1	Footboard assembly, right side, black	50501928	Empire Collection
<input type="checkbox"/>		1	Footboard assembly, right side, machine cut	50501930	Empire Collection
<input type="checkbox"/>		1	Footboard assembly, right side, gray	50502323	Adversary Collection
<input type="checkbox"/>		1	Footboard assembly, right side, black	50502322	Adversary Collection
<input type="checkbox"/>		1	Footboard assembly, right side, black	50502477	Switchback Collection
<input type="checkbox"/>		1	Footboard assembly, right side, silver	50502484	Switchback Collection
<input type="checkbox"/>		4	1	Footboard assembly, left side, graphite	50502095
<input type="checkbox"/>	1		Footboard assembly, left side, black	50502096	Endgame Collection
<input type="checkbox"/>	1		Footboard assembly, left side, chrome	50501927	Empire Collection
<input type="checkbox"/>	1		Footboard assembly, left side, black	50501929	Empire Collection
<input type="checkbox"/>	1		Footboard assembly, left side, machine cut	50501931	Empire Collection
<input type="checkbox"/>	1		Footboard assembly, left side, gray	50502325	Adversary Collection
<input type="checkbox"/>	1		Footboard assembly, left side, black	50502324	Adversary Collection
<input type="checkbox"/>	1		Footboard assembly, left side, black	50502477	Switchback Collection
<input type="checkbox"/>	5	2	Wear peg	50501135	Endgame Collection
<input type="checkbox"/>		2	Wear peg	50500628	Empire and Adversary Collections
<input type="checkbox"/>	6	2	Wear plate (not shown)	50502575	Switchback Collection
<input type="checkbox"/>	7	2	Screw, wear plate (not shown)	10200659	Switchback Collection

NOTE

Verify that all contents are present in the kit before installing or removing items from vehicle.

Verify that the most current version of the instruction sheet is used. It is available at: www.harley-davidson.com/isheets

Contact Harley-Davidson Customer Support Center at 1-800-258-2464 (U.S. only) or 1-414-343-4056.

GENERAL

Models

For model fitment information, see the P&A Retail Catalog or the Parts and Accessories section of www.harley-davidson.com (English only).

Installation Requirements

FLTRXSTSE Models: Separate purchase of Front Support Mounts (Part No. 47200302A (Qty 2) is required. See service manual for removal of old front supports and install of **new** supports.

LOCTITE 243 MEDIUM STRENGTH THREADLOCKER AND SEALANT (BLUE) (99642-97)

3. Install **new** wear plate and screws.
Torque: 2.03 N·m (18 **in-lbs**)

⚠ WARNING

Rider and passenger safety depend upon the correct installation of this kit. If the procedure is not within your capabilities or you do not have the correct tools, have a Harley-Davidson dealer perform the installation. Improper installation of this kit could result in death or serious injury. (00308b)

REMOVE

1. Remove two hinge bolts and locknuts attaching existing footboard to mounting brackets.
2. Remove footboard.
3. Vehicle hardware:
 - a. **Switchback footboards:** Save hardware.
 - b. **All other footboards:** Discard hardware.

INSTALL

1. Figure 1 Set correct footboard in place over mounting brackets. Wear peg should be toward rear of vehicle.
2. Align holes, install pivot screws (1) and locking nuts (2).
 - a. **Switchback footboards:** Use saved hardware.
3. Locking nuts should be on inboard side. Tighten.
Torque: 9–12 N·m (80–106 **in-lbs**)
4. Check that footboard pivots freely on hinge bolts.
5. Repeat for opposite side.

Wear Peg Replacement

1. When servicing wear peg, remove existing wear peg from footpeg.
2. Apply two or three drops of threadlocker to threads of **new** wear peg.
Consumable: LOCTITE 243 MEDIUM STRENGTH THREADLOCKER AND SEALANT (BLUE) (99642-97)
3. Install **new** wear peg to footpeg.
Torque: 3.38–4.74 N·m (30–42 **in-lbs**)

Wear Plate Replacement

1. When servicing wear plate, remove existing wear plate screws.
2. Apply two or three drops of threadlocker to threads of screws.
Consumable: LOCTITE 243 MEDIUM STRENGTH THREADLOCKER AND SEALANT (BLUE) (99642-97)