



INSTRUCTIONS

J06634

2018-08-20



SOFTAIL SWINGARM BAG

GENERAL

Kit Numbers

90201768

Models

For model fitment information, see the P&A retail catalog or the Parts and Accessories section of www.harley-davidson.com (English only).

Installation Requirements

⚠ WARNING

Rider and passenger safety depend upon the correct installation of this kit. If the procedure is not within your capabilities or you do not have the correct tools, have a Harley-Davidson dealer perform the installation. Improper installation of this kit could result in death or serious injury. (00308b)

⚠ WARNING

Do not exceed swingarm bag weight capacity. Too much weight in swingarm bag can cause loss of control, which could result in death or serious injury. (00618c)

NOTE

Maximum capacity 1.81 kg (4 lb).

This kit is for 2000-2017 Softail Models

Kit Contents

See Figure 3 and Table 1

INSTALLATION

1. Figure 1 Attach three hook-and-loops to back of bag.

NOTE

Attaching bottom hook-and-loop first will aid in the ease of setting the correct height adjustment for top of bag placement.

To avoid paint scuffing, apply protective tape to swingarm before attaching bag to vehicle.

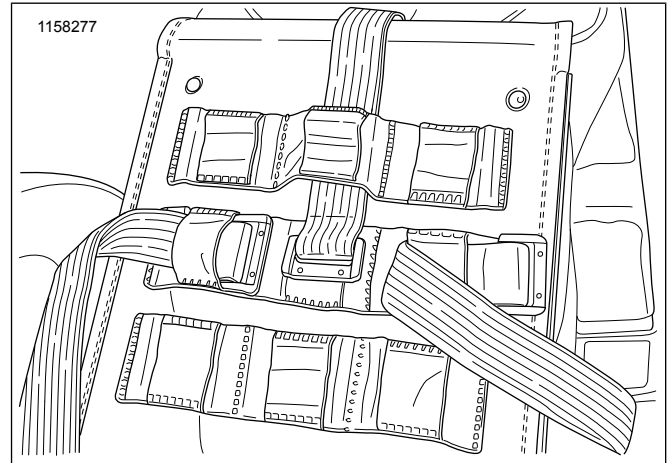


Figure 1. Attach Hook-and-Loop (Typical)

2. Figure 2 Cut anti-abrasion tape into three, 3 in pieces, and attach to swingarm.
3. Figure 3 Secure bottom hook-and-loop (2) on bag (1) over anti-abrasion tape (3) to bottom swingarm location (3) per Figure 2. Tighten until top mounting points on bag line up with the upper swingarm tube, leaving slack in the hook-and-loop.
4. Adjust and tighten hook-and-loop on upper mounts as much as possible.

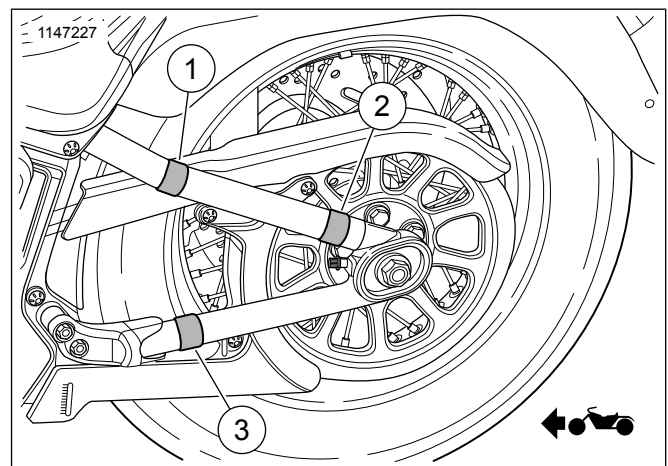


Figure 2. Anti-abrasion Tape and Hook-and-Loop Placement

5. Trim excess hook-and-loop.
6. Figure 3 Secure remaining two hook-and-loops over anti-abrasion tape to top of swingarm.
7. Tighten hook-and-loops as much as possible.

8. Trim excess hook-and-loop.
9. Verify bag is secure and mounted vertically as high as possible.

NOTE

Loose mounting may cause bag to scrape.

CARE INSTRUCTIONS

NOTICE

Do not use bleach or detergents containing bleach on saddlebags, seats, tank panels or painted surfaces. Doing so can result in equipment damage. (00229a)

Leather, vinyl and other synthetic surfaces must be periodically cleaned and treated to maintain its appearance and extend its life. Clean and treat these surfaces once a season or more frequently under adverse conditions.

These surfaces are not designed for long-term exposure to inclement weather. Protect these surfaces with an HARLEY-DAVIDSON SEAT RAIN COVER or MOTORCYCLE STORAGE COVER (sold separately).

1. Vacuum or blow dust off surface.
2. Thoroughly clean outer surfaces with soap and water.
3. Allow the material to dry naturally and completely at room temperature before applying other products to the material. Do not use artificial means to dry the material quickly.

SERVICE PARTS

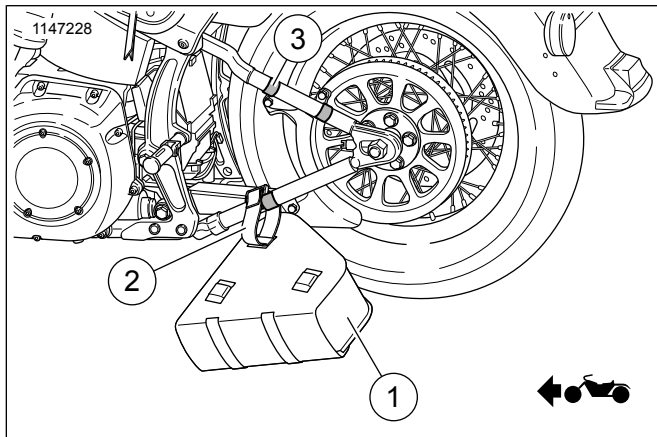


Figure 3. Service Parts: Softtail Swingarm Bag Kit

Table 1. Service Parts: Softtail Swingarm Bag Kit

Item	Description (Quantity)	Part Number
1	Bag, Swingarm	90201768
2	Hook-and-Loop Supports (3)	90201895
3	Anti-abrasion Tape, 9 in	90201957