



INSTRUCTIONS

J05999

2019-01-15



ADJUSTABLE FOUR-POINT DETACHABLE DOCKING HARDWARE KIT

GENERAL INFORMATION

Table 1. General Information

Kits	Suggested Tools	Skill Level ⁽¹⁾	Time
52300353, 52300354	Safety Glasses, Torque Wrench		1 hour

(1) Tightening to torque value or other moderate tools and techniques required

KIT CONTENTS

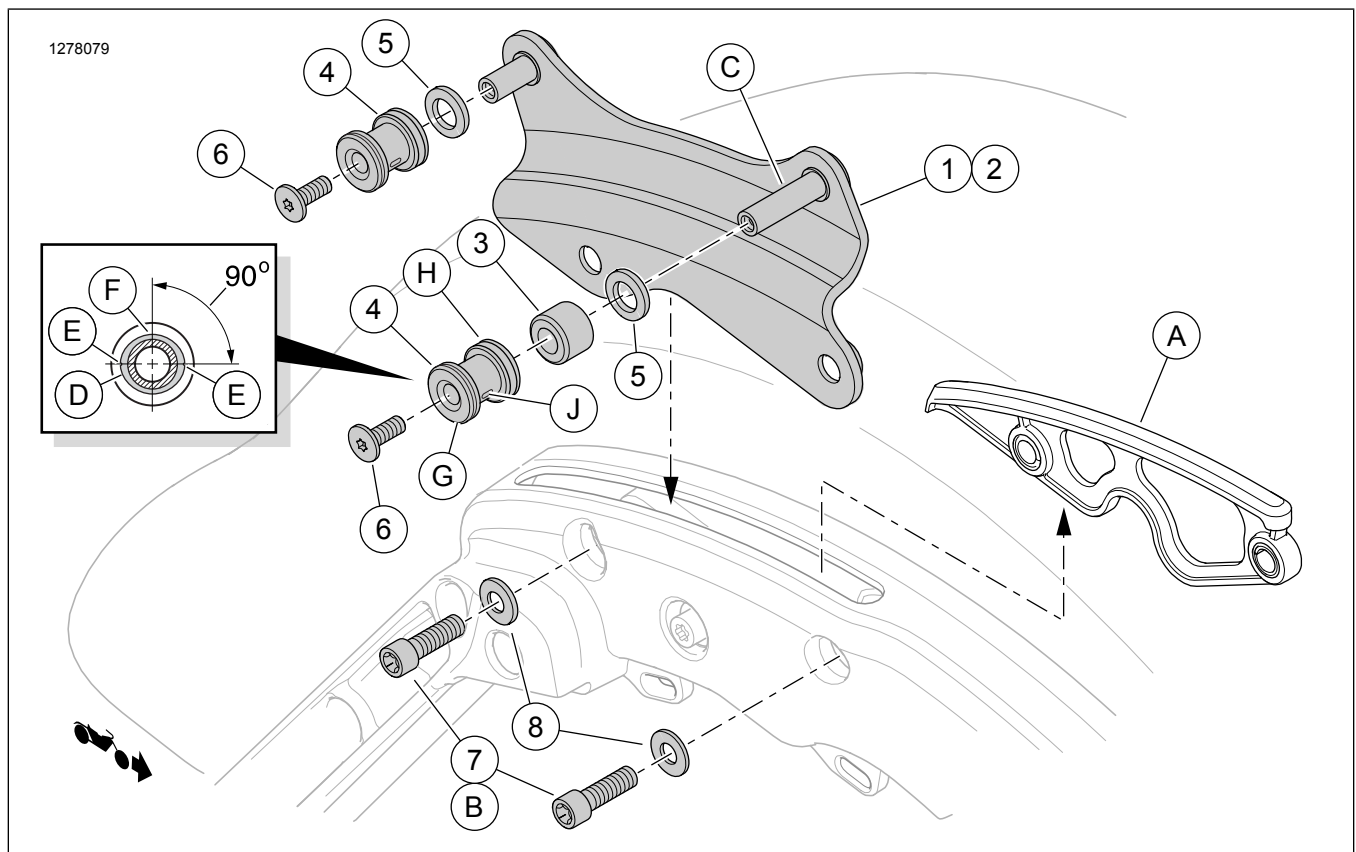


Figure 1. Kit Contents: Adjustable Four-Point Detachable Docking Hardware Kit

Table 2. Kit Contents: Adjustable Four-Point Detachable Docking Hardware Kit

<input checked="" type="checkbox"/>	Item	Qty	Description	Part No.	Notes
<input type="checkbox"/>	1	1	Docking plate assembly, chrome (right side, shown)	52300348	
<input type="checkbox"/>		1	Docking plate assembly, black (right side, shown)	52300355	
<input type="checkbox"/>	2	1	Docking plate assembly, chrome (left side, not shown)	52300349	
<input type="checkbox"/>		1	Docking plate assembly, black (left side, not shown)	52300356	
<input type="checkbox"/>	3	2	Spacer, docking point	12400059	
<input type="checkbox"/>	4	4	Docking point	52300345	
<input type="checkbox"/>	5	4	Width adjustment spacer, chrome (optional, use as needed)	10300079	
<input type="checkbox"/>	6	4	Cap screw, flat head TORX, 1/4-20 x 16 mm (5/8 in) long	10200322	14.2 N·m (126 in-lbs) Use LOCTITE 243 MEDIUM STRENGTH THREADLOCKER AND SEALANT (BLUE)
<input type="checkbox"/>	7	4	Cap screw, TORX head, 5/16-18 x 25 mm (1 in) long	10200157	27.1 N·m (20 ft-lbs) Use LOCTITE 243 MEDIUM STRENGTH THREADLOCKER AND SEALANT (BLUE) and LOCTITE 262 HIGH STRENGTH THREADLOCKER AND SEALANT (RED)
<input type="checkbox"/>	8	4	Plain washer, zinc finish	6302	
Items mentioned in text, but not included in kit					
<input checked="" type="checkbox"/>	A	2	Original Equipment (OE) slot cover insert		
<input checked="" type="checkbox"/>	B	4	OE slot cover insert attaching screw		
<input checked="" type="checkbox"/>	C	2	Long docking plate pin		
<input checked="" type="checkbox"/>	D	1	Docking point plastic insert (elliptical shape exaggerated for clarity)		
<input checked="" type="checkbox"/>	E	1	Loosest position of docking point (horizontal to ground)		
<input checked="" type="checkbox"/>	F	2	90° maximum docking point adjustment range		
<input checked="" type="checkbox"/>	G	1	Thinner flange side of docking point for width adjustment		
<input checked="" type="checkbox"/>	H	1	Thicker flange side of docking point for width adjustment		
<input checked="" type="checkbox"/>	J	2	Radial adjustment notch in plastic insert		

GENERAL

Models

For model fitment information, see the P&A retail catalog or the Parts and Accessories section of www.harley-davidson.com (English only).

Ensure you are using the most current version of the instruction sheet which is available at: www.harley-davidson.com/isheets

Contact Harley-Davidson Customer Support Center at 1-800-258-2464 (U.S. only) or 1-414-343-4056.

Installation Requirements

Separate purchase of other parts or accessories are required for proper installation of this kit on certain model motorcycles.

See the P&A retail catalog or the Parts and Accessories section of www.harley-davidson.com (English only) for a list of required parts or accessories for a specific model.

LOCTITE 262 HIGH STRENGTH THREADLOCKER AND SEALANT (RED) (94759-99) and LOCTITE 243 MEDIUM STRENGTH THREADLOCKER AND SEALANT (BLUE) (99642-97) are required for proper installation of this kit.

▲ WARNING

Rider and passenger safety depend upon the correct installation of this kit. If the procedure is not within your capabilities or you do not have the correct tools, have a Harley-Davidson dealer perform the installation. Improper installation of this kit could result in death or serious injury. (00308b)

PREPARE

▲ WARNING

To prevent accidental vehicle start-up, which could cause death or serious injury, remove main fuse before proceeding. (00251b)

1. Remove main fuse.
 - a. **WITH security siren:** With security fob present, turn ignition switch ON. After system is disarmed, turn ignition switch OFF. **IMMEDIATELY** remove main fuse per the owner's manual.
 - b. **WITHOUT security siren:** See owner's manual.
2. Remove right side saddlebag.
3. See Figure 1. Remove two screws (B) from saddlebag support on each side.
4. Lift slot cover inserts (A) from locations.

INSTALL

Install Docking Brackets

1.

NOTE

The long pin (C) mounts toward the front of the vehicle.

Insert the docking plate assemblies (1,2) into the slots in the correct-side saddlebag support.
2. Place a washer (8) on each screw (7).
3. Apply 2 or 3 drops of threadlocker to screw threads.

Consumable: LOCTITE 262 HIGH STRENGTH THREADLOCKER AND SEALANT (RED) (94759-99)
4. Secure docking plate assemblies (1,2) in position with screws (7) and washers (8). Tighten.

Torque: 27.1 N·m (20 ft-lbs)

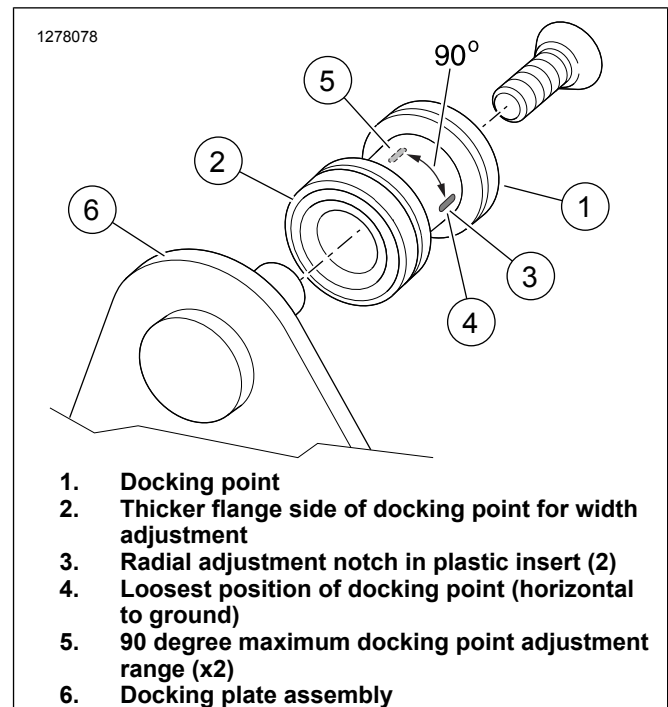


Figure 2. Docking Point Installation

5.

NOTE

See Figure 1. Do not install width adjustment spacers (5) at this time.

Install docking points.

 - a. Slide a spacer (3) onto long pin (C) of each docking plate.
 - b. Slide a docking point (4), **thicker** flange (H) first, onto each docking plate pin.
 - c. Install screws (6) into docking plate pins.
 - d. See Figure 2. Rotate each docking point to position notches horizontally (4).
 - e. Tighten screws until snug.

Check Docking Point Alignment and Tightness

NOTE

See Figure 2.

- Front docking points allow for upright and solo rack adjustment.
 - Rear docking points allow for two-up rack adjustment.
1. Install a detachable accessory per detachable accessory kit instructions.
 2. If the docking points are spaced too wide:
 - a. Remove the accessory.
 - b. See Figure 1. Remove screw (6) and docking point (4) from all four docking plate pins.

- c. Install docking point, **thinner** flange first, onto each docking plate pin.
- d. Apply 2 or 3 drops of threadlocker to the threads of each screw (6). Install screws.

LOCTITE 243 MEDIUM STRENGTH
 THREADLOCKER AND SEALANT (BLUE)
 (99642-97)

- e. See Figure 2. Rotate each docking point to position notches horizontally (4). Tighten screws until snug.

3. If the docking points are spaced too narrow:

- a. See Figure 1. Remove all components from all four docking plate pins.
- b. Install width adjustment spacers (5) to each docking point.
- c. Install spacer (3) onto longer pin (C) of each docking plate.
- d. Install docking point (**thicker** flange first) to each docking point pin.
- e. Apply 2 or 3 drops of threadlocker to the threads of each screw (6). Install screws.

LOCTITE 243 MEDIUM STRENGTH
 THREADLOCKER AND SEALANT (BLUE)
 (99642-97)

- f. See Figure 2. Rotate each docking point to position notches horizontally (4). Tighten screws until snug.

4. **NOTE**

Position (5) is the tightest position the docking points can achieve. Position (4) is the loosest position the docking points can achieve.

If the accessory does not attach tightly to the docking points:

- a. Loosen screws (6).
- b. See Figure 2. Rotate docking points (1) slightly away from horizontal (4).
- c. Check fit of detachable accessory.
- d. Continue to rotate slightly toward vertical (5) away from horizontal (4) until a tight fit is achieved at each location.

- 5. See Figure 1. Secure docking plate pin screws (6). Tighten.
 Torque: 14.2 N·m (126 **in-lbs**)

COMPLETE

NOTE

To prevent possible sound system damage, verify ignition is OFF before installing main fuse.

- 1. Install main fuse. See owner's manual.
- 2. Install saddlebags. See owner's manual.

MAINTENANCE

In time docking points wear, causing the installed detachable accessory to become loose and rattle. Tighten the fit using the following method.

- 1. See Figure 1. Record current notch position for each docking point. Remove screws (6) from all four docking plate pins.

2. **NOTE**

Remove threadlocker from docking point screws and mounting hole threads before applying threadlocker to screw threads.

Apply 2 or 3 drops of threadlocker to the threads of each screw (6).

Consumable: LOCTITE 243 MEDIUM STRENGTH
 THREADLOCKER AND SEALANT (BLUE) (99642-97)

- 3. Install docking points, screws and spacers (if present). Tighten finger-tight.
- 4. If the notches **are not** in vertical position (F), rotate docking points slightly, moving the notches toward (F) until a tight fit of the detachable accessory is achieved at each location.
- 5. Secure docking point screws (6). Tighten.
 Torque: 14.2 N·m (126 **in-lbs**)

6. **NOTE**

Remove threadlocker from docking point screws and mounting hole threads before applying threadlocker to screw threads.

If docking point insert notches **are** in vertical position (F):

- a. Remove screws (6) from all four docking plate pins.
- b. Rotate each docking point until the **second** notch reaches position (E).
- c. Apply 2 or 3 drops of threadlocker to the threads of each screw (6).

LOCTITE 243 MEDIUM STRENGTH
 THREADLOCKER AND SEALANT (BLUE)
 (99642-97)

- d. Install screws and spacers (if present). Tighten finger-tight.
- e. Check the detachable accessory at each docking point, rotating the notch toward (F) until a tight fit of the detachable accessory is achieved at each location.

- f. Secure screws (6). Tighten.
 Torque: 14.2 N·m (126 **in-lbs**)

7. After multiple adjustments, if the detachable accessory continues to rattle or remains loose, replace the docking points.