



INSTRUCTIONS

J05782

2013-03-28



DETACHABLE FAIRING LOWER HARDWARE KIT

GENERAL

Kit Number

47200240

Models

For model fitment information, see the P&A Retail Catalog or the Parts and Accessories section of www.harley-davidson.com (English only).

⚠ WARNING

Rider and passenger safety depend upon the correct installation of this kit. If the procedure is not within your capabilities or you do not have the correct tools, have a Harley-Davidson dealer perform the installation. Improper installation of this kit could result in death or serious injury. (00308b)

Additional Parts Required

Separate purchase of Anti-Seize Lubricant (Part No. 98960-97) is required for installation of this kit.

Kit Contents

See Figure 3 and Table 1.

REMOVAL

1. Open glove box door.
2. See Figure 1. Remove flange nut (1) securing lower fairing cap (3). Remove fairing cap.
3. Remove retainer bolt (9) from fairing cap. Use care not to damage clip mounts.
4. Remove lower fairing clamp screw (8), washer (7), clamp (6) and nut (5).
5. Remove flange nuts (4) securing upper clamp (2). Remove upper clamp.
6. Remove lower fairing assembly.
7. Repeat all steps on other lower fairing.

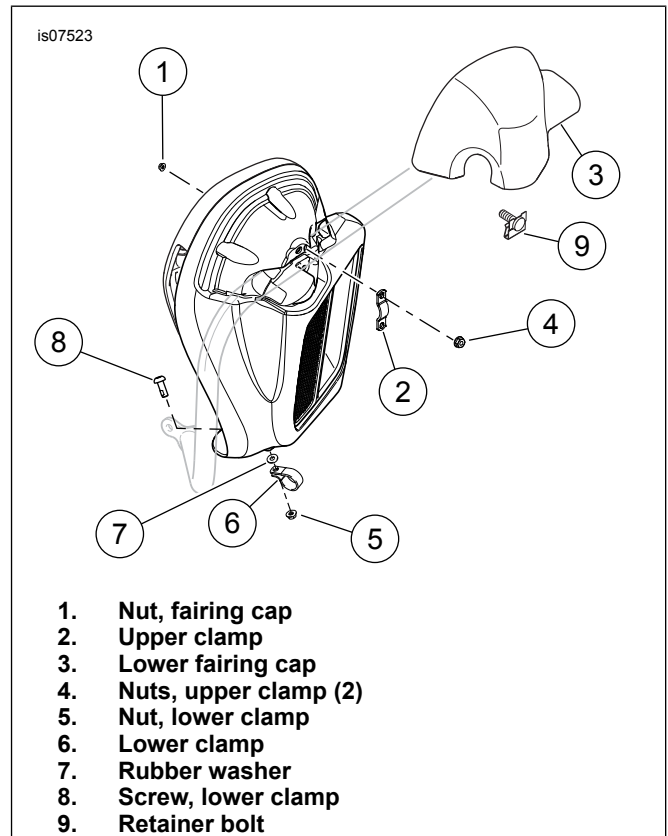


Figure 1. Stock Lower Fairing

INSTALLATION

1. See Figure 3. Press new clip retainer bolt (1) onto clip mount.
2. See Figure 2. Attach protective tape pads (2) to each inside half of engine guard clamps (1).

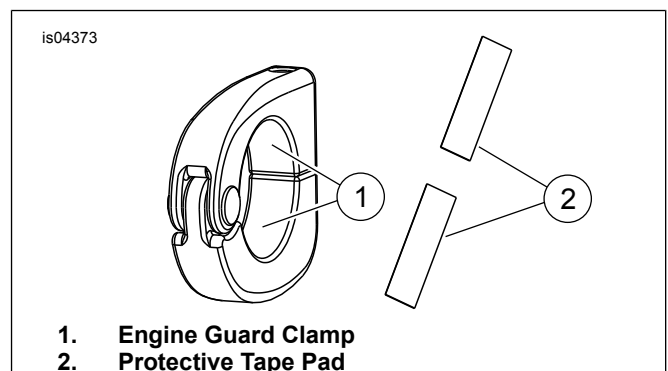


Figure 2. Install Protective Tape Pads

- See Figure 3. Insert thumb screw (4) through top side of fairing lower (A). Apply small amount of anti-seize lubricant to thumb screw (4). Thread thumb screw (4) into top half of engine guard clamp (3).

NOTE

Position fairing lower (A) on engine guard so it does not contact engine, exhaust pipes, controls or other painted parts.

- Attach fairing lower (A) and engine guard clamp (3) to engine guard, hinge portion of engine guard clamp (3) should face toward the front of the motorcycle. Loosely thread thumb screw (4) into lower portion of engine guard clamp (3).

- Install retainer plate (6) with thumb nuts (2). Do not tighten at this time.
- Position fairing lower (A) to upper section of engine guard. Install fairing cap (B) over engine guard and install retainer bolts (1) through mounting holes in fairing lower (A). Install thumb nut (2) into retainer bolt (1), but do not tighten.
- Adjust fairing lower (A) on the engine guard to its desired position, securely tighten thumb screw (4) in engine guard clamp (3).
- Securely tighten three thumb nuts (2).
- Repeat all for other fairing lower.

SERVICE PARTS

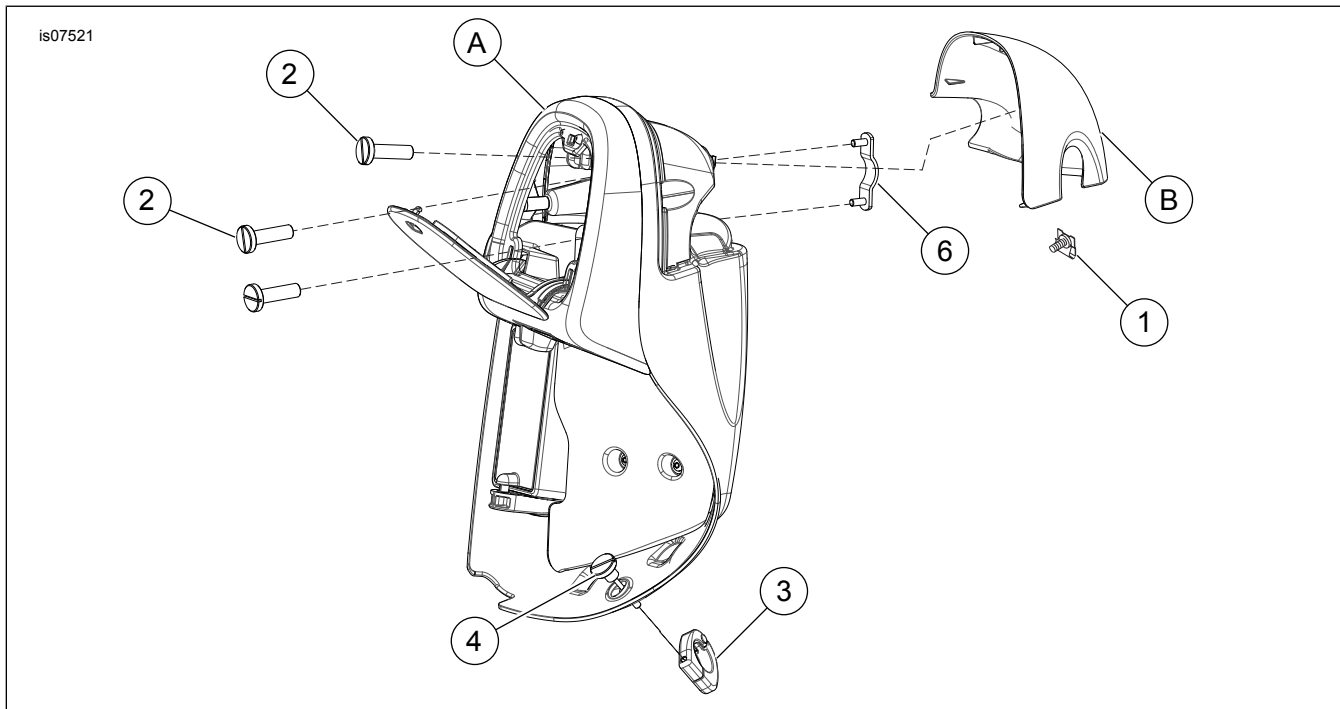


Figure 3. Service Parts: Detachable Fairing Lower Hardware Kit

Table 1. Service Parts Table

| Item | Description (Quantity) | Part Number |
|----------------------------------------------------------|---------------------------------------------|---------------------|
| 1 | Bolt, retainer (2) | 8180 |
| 2 | Nut, thumb, detachable (6) | 49329-07 |
| 3 | Clamp, hinged, engine guard (2) | 49330-07 |
| 4 | Screw, thumb, detachable (2) | 49333-07 |
| 5 | Pad, protective tape, clamp (4) (Not shown) | 59588-07 |
| 6 | Plate retainer (2) | Not Sold Separately |
| Items mentioned in text, but not included in kit: | | |
| A | Fairing lower | |
| B | Fairing cap | |