



INSTRUCTIONS

J03315

2019-08-21



AIR CLEANER COVER

Table 1. General Information

Kits	Suggested Tools	Skill Level*	Time
27956-10, 29417-04, 29820-11, 29400366, 61300057, 61300058, 61301027, 61400007, 61400009, 61400019, 61400021, 61400049, 61400050, 61400052, 61400163, 61400164, 61400166, 61400167, 61400168, 61400170, 61400323	Safety Glasses, Torque Wrench		1 hour
<i>(1) *Tightening to torque value or other moderate tools and techniques required</i>			

KIT CONTENTS

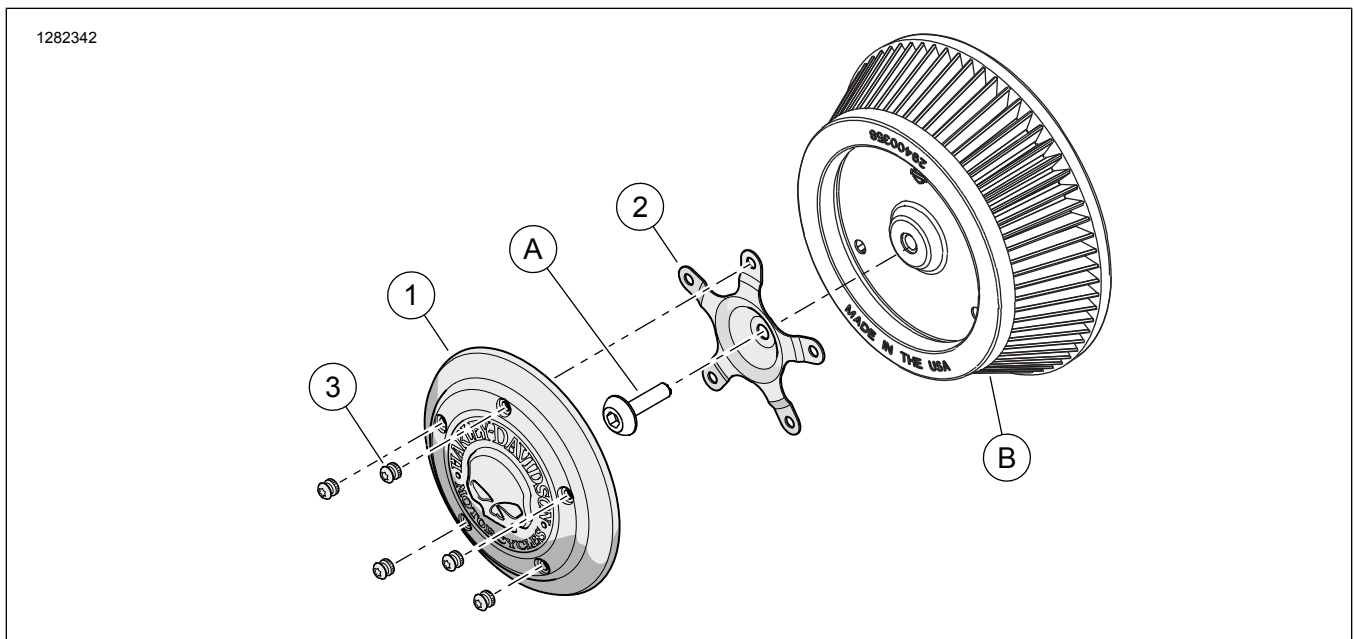


Figure 1. Kit Contents: Air Cleaner Cover



Table 2. Kit Contents List: Air Cleaner Cover

<input checked="" type="checkbox"/>	Item	Qty	Description	Part No.	Notes
<input type="checkbox"/>	1	1	Air cleaner cover	Not sold separately	
<input type="checkbox"/>	2	1	Bracket, mounting (5 hole)	29077-03	Kits 27956-10, 29417-04, 29820-11, 29400366, 61300057, 61301027, 61400049, 61400163, 61400167, 61400323
1		Bracket, mounting (5 hole)	61400011	Kits 61300058, 61400007, 61400009, 61400021, 61400052, 61400166, 61400170	
1		Bracket, mounting (5 hole)	12700026	Kits 61400019, 61400050, 61400164, 61400168	
<input type="checkbox"/>	3	5	Screw, Torx™, button head, chrome	94590-98	All kits except 29400366 3.4–4.2 N·m (30–37 in-lbs)
5		Screw, Torx™, button head, black oxide	10200435	Kit 29400366 only 3.4–4.2 N·m (30–37 in-lbs)	
5		Screw, Torx™, button head, chrome	10200894	Kit 61301027 only 3.4–4.2 N·m (30–37 in-lbs)	
Items below are not included in kit but are referenced in text:					
<input checked="" type="checkbox"/>	A		Original Equipment buttonhead screw		3.4–6.8 N·m (30–60 in-lbs)
<input checked="" type="checkbox"/>	B		Original Equipment air cleaner cover		

NOTE

Verify all contents are present in the kit before installing or removing items from vehicle.

GENERAL

Models

See the P&A Retail Catalog or the Parts and Accessories section of www.harley-davidson.com (English only) for model fitment information.

Verify use of most current version of instruction sheet at: www.harley-davidson.com/isheets

Contact Harley-Davidson Customer Support Center at 1-800-258-2464 (U.S. only) or 1-414-343-4056.

Installation Requirements

▲ WARNING

Rider and passenger safety depend upon the correct installation of this kit. If the procedure is not within your capabilities or you do not have the correct tools, have a Harley-Davidson dealer perform the installation. Improper installation of this kit could result in death or serious injury. (00308b)

INSTALL

1. See Figure 1. Remove and save Original Equipment (OE) air cleaner cover screw (A).
2. Install mounting bracket (2) with screw (A).
 - a. Position a bracket arm at the 12 o'clock position.
 - b. Tighten screw (A).
Torque: 3.4–6.8 N·m (30–60 **in-lbs**)

3. Install air cleaner cover (1) to bracket (2).
 - a. Align holes in cover with holes in bracket.
 - b. Install and partially tighten each screw (3).
 - c. Tighten screws (3) in a star pattern.
Torque: 3.4–4.2 N·m (30–37 **in-lbs**)
4. If OE intake is removed, apply Warning Label (if included) in a clearly visible area. Harley-Davidson suggests attaching the sticker to the following:
 - a. **Softail:** Right side lower fender
 - b. **Dyna:** Right side swing arm.
 - c. **Touring/Trike:** Inner primary topside or side cover.