



INSTRUCTIONS





J03066

2019-01-15



SKULL FOOTBOARD INSERT KITS

Table 1. General Information

Kits	Suggested Tools	Skill Level ⁽¹⁾	Time
50704-04, 50707-04, 50710-04, 50713-04, 50501285, 50501286, 50501287, 50501289, 50501290	Safety Glasses, Flat-blade Screw- driver, Pliers, Dish Soap	   	1 hour

(1) Only simple tools and techniques required

KIT CONTENTS

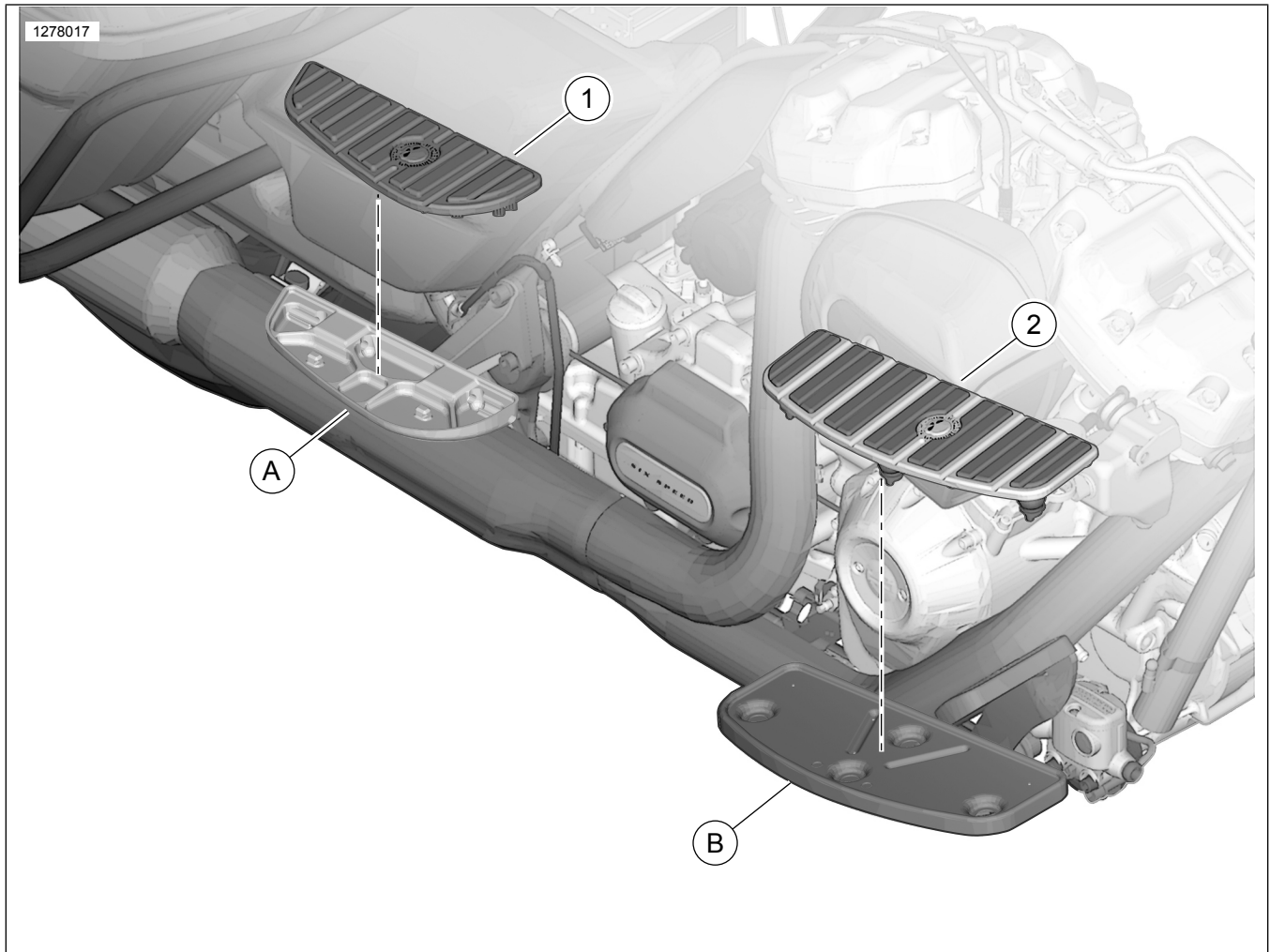


Figure 1. Kit Contents: Skull Footboard Insert Kits

Table 2. Kit Contents: Skull Footboard Insert Kits

<input checked="" type="checkbox"/>	Item	Qty	Description	Part No.	Notes
<input type="checkbox"/>	1	2	Rubber pads, Passenger	Not sold separately	
<input type="checkbox"/>	2	2	Rubber pads, Rider	Not sold separately	
Items mentioned in text but not included in kit					
<input checked="" type="checkbox"/>	A	2	Footboard, Passenger		
<input checked="" type="checkbox"/>	B	2	Footboard, Rider		

NOTE

Verify all contents are present in the kit before installing or removing items from vehicle.

GENERAL

Models

For model fitment information, please see the P&A Retail Catalog or the Parts and Accessories section of www.harley-davidson.com (English only).

Ensure you are using the most current version of the instruction sheet which is available at: www.h-d.com/isheets

Contact Harley-Davidson Customer Support Center at 1-800-258-2464 (U.S. only) or 1-414-343-4056.

Installation Requirements

⚠ WARNING

Rider and passenger safety depend upon the correct installation of this kit. If the procedure is not within your capabilities or you do not have the correct tools, have a Harley-Davidson dealer perform the installation. Improper installation of this kit could result in death or serious injury. (00308b)

REMOVE

NOTE

Avoid the contact of chrome or black surfaces with abrasive materials (stones, sand, etc.) as damage will result.

Rider

1. Remove rubber pads.
 - a. From bottom of footboard, use a flat-blade screwdriver to push rubber beads on pad up through the holes in the footboard pan.
2. Repeat steps on other side.

Passenger

1. **Kits 50707-04, 50501289, 50501290:** Remove rubber pads.
 - a. Position footboard in the "down" position.

- b. Using a flat-blade screwdriver, carefully raise an outside corner of the rubber pad off of footboard. Take care to avoid scratching the chrome.
- c. Continue around edge of footboard.
- d. If necessary, use a second flat-blade screwdriver to pry up and remove rubber pad.

2. Repeat steps on other side.
3. **Kits 50713-04, 50501285:** Remove rubber pads.
 - a. Position footboard in the "up" position.
 - b. If present, remove underside chrome footboard cover.
 - c. Apply dish soap to rubber beads protruding from bottom of footboard pan.
 - d. Using a flat-blade screwdriver, push rubber beads on pad through holes in footboard pan and remove rubber pad.
4. Repeat steps on other side.

INSTALL

NOTE

Avoid the contact of chrome or black surfaces with abrasive materials (stones, sand, etc.) as damage will result.

Rider

1. Install **new** rubber pad (2).
 - a. Moisten rubber beads on bottom of rubber pad (2) with soapy water.
 - b. Position rubber pad (2) on footboard (B).
 - c. From bottom of footboard (B), use pliers to pull rubber beads into its mating holes in footboard pan until beads protrude through the pan.
 - d. Pull rubber beads through holes on footboard (B).
2. Repeat steps on other side.

Passenger

1. Install **new** rubber pad (1).
 - a. Moisten rubber anchors on bottom of rubber pad (1) with soapy water.
 - b. Position rubber pad (1) on footboard (A).
 - c. From bottom of footboard (A), use pliers to pull rubber beads into its mating holes in footboard pan until beads protrude through the pan.
 - d. Pull rubber beads through holes on footboard (A).
2. **Kits 50713-04, 50501285:** Cut off rubber pull end on tips of each rubber bead.
 - a. If present, attach underside chrome footboard cover.
3. Repeat steps on other side.