



# INSTRUCTIONS

J06372

2020-06-02



## SPORT LUGGAGE RACK FOR H-D HOLDFAST PASSENGER Sissy BAR UPRIGHT

### GENERAL

#### Kit Numbers

50300124A, 50300125A, 50300126A, 50300127A, 50300130A, 50300131A

#### Models

For model fitment information, see the P&A retail catalog or the Parts and Accessories section of [www.harley-davidson.com](http://www.harley-davidson.com) (English only).

#### Installation Requirements

Proper installation of this kit requires prior installation of a Docking Hardware Kit and a Detachable Backrest Kit. See a Harley-Davidson dealer, the P&A retail catalog or the Parts and Accessories section of [www.harley-davidson.com](http://www.harley-davidson.com) (English only) for the correct items to fit your year/model motorcycle.

Loctite 243 Medium Strength Threadlocker and Sealant- Blue (Part No. 99642-97) is required for proper installation of this kit.

#### ⚠ WARNING

**Rider and passenger safety depend upon the correct installation of this kit. If the procedure is not within your capabilities or you do not have the correct tools, have a Harley-Davidson dealer perform the installation. Improper installation of this kit could result in death or serious injury. (00308b)**

#### NOTE

**Load Rating:** 10 lb. load rating. Do not exceed.

#### NOTE

A service manual for your year/model motorcycle is available from a Harley-Davidson dealer.

### INSTALLATION

#### NOTE

If upright is installed please remove from vehicle and place on a counter top for rack install.

1. Refer to Figure 1. Position luggage rack (1) between side plates of detachable passenger backrest assembly (purchased separately).
2. Apply a few drops of threadlocker to threads of two screws (5) from kit. Add one washer (6) to each screw. Insert screws through holes (A) in luggage rack support and thread into holes in passenger backrest side plates. Thread in only a few threads. Do not tighten.  
Consumable: LOCTITE 243 MEDIUM STRENGTH THREADLOCKER AND SEALANT (BLUE) (99642-97)
3. Get one luggage rack clamp (item 2 or 3) and three chrome button head TORX screws (4) from the kit.

#### NOTE

The luggage rack clamps are side-specific. See Figure 1 for correct orientation.

4. Apply a few drops of threadlocker to threads of two chrome screws. Add one washer (6) to each screw.  
Consumable: LOCTITE 243 MEDIUM STRENGTH THREADLOCKER AND SEALANT (BLUE) (99642-97)
5. Position luggage clamps over the bar of the upright and line up with corresponding holes (B) in rack. Add one washer (6) and one nut (7) to each screw on rack side of assembly. Finger tighten.
  - a. Apply a few drops of loctite 243 (blue) to the threads of one screw.
  - b. Line up holes (C) between clamp and rack.
  - c. Add one washer (6) and one nut (7) to screw on rack side of assembly. Finger tighten.
6. Repeat steps 3-5 with the remaining clamp and screws.
7. Tighten six chrome screws (4).  
Torque: 16 N·m (12 ft-lbs)
8. Tighten two chrome screws (5).  
Torque: 16 N·m (12 ft-lbs)



# SERVICE PARTS

1037410

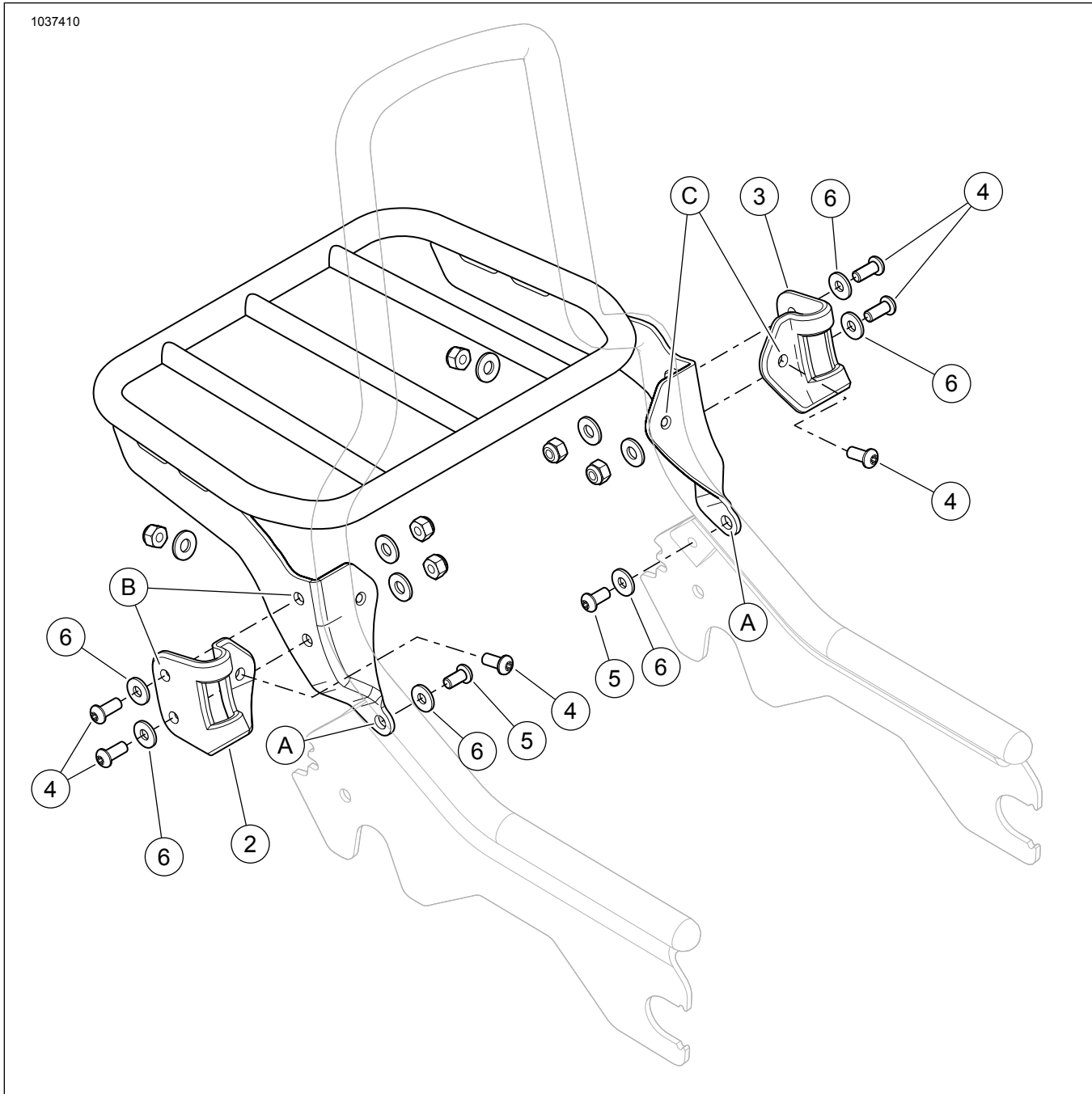


Figure 1. Service Parts, Sissy Bar Upright Mounted Luggage Rack

Table 1. Service Parts

Item	Description (Quantity)	Part Number
1	Luggage rack	Not sold separately
2	Clamp, luggage rack-right (chrome) Clamp, luggage rack-right (black)	50300208A 50300210A
3	Clamp, luggage rack-left (chrome) Clamp, luggage rack-left (black)	50300207A 50300209A
4	Cap screw, button head TORX, 1/4-20 x 7/8 in. long, chrome (6)	94594-98
5	Screw, button head TORX, with locpatch, 1/4-20 x 1/2 in. long, chrome (2)	10200680
6	Washer, chrome (12)	6339
7	Locknut, 1/4-20 (6)	7686
<b>Items mentioned in text.</b>		
A	Mounting hole in detachable backrest side plate and luggage rack support (2)	
B	Mounting hole in luggage rack clamp and side plate (6)	