



INSTRUCTIONS

94100032

2019-08-21



WAXED CANVAS BAG

GENERAL INFORMATION

Table 1. General Information

Kits	Suggested Tools	Skill Level ⁽¹⁾	Time
93300116, 93300117	Safety Glasses		15 minutes

(1) Only simple tools and techniques required

KIT CONTENTS

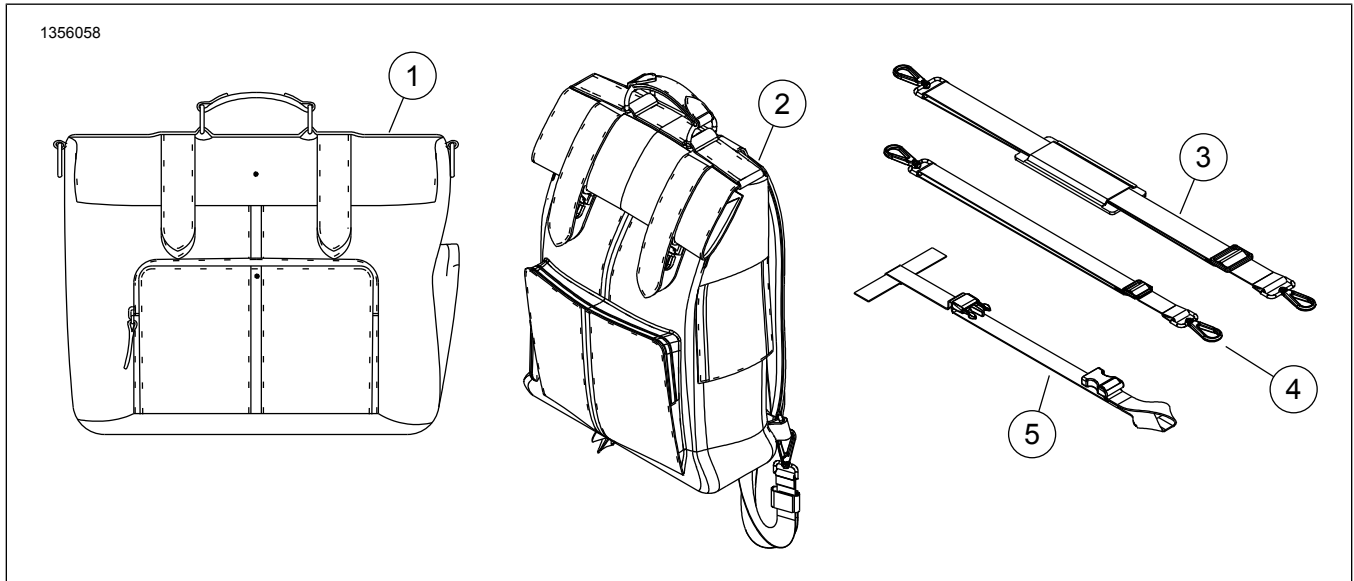


Figure 1. Kit Contents: Waxed Canvas Bag Components

Table 2. Kit Contents: Waxed Canvas Bag Components

<input checked="" type="checkbox"/>	Item	Qty	Description	Part No.	Notes
<input type="checkbox"/>	1	1	Bag, messenger, Kit 93300116	Not sold separately	
<input type="checkbox"/>	2	1	Bag, backpack, Kit 93300117	Not sold separately	
<input type="checkbox"/>	3	1	Strap, shoulder, Kit 93300116	93300135	
<input type="checkbox"/>	4	1	Strap, belly, Kit 93300116	93300136	
<input type="checkbox"/>	5	4	Strap, bag	93300138	

NOTE

Verify all contents are present in the kit before installing or removing items from vehicle.

GENERAL

Models

For model fitment information, see the P&A Retail Catalog or the Parts and Accessories section of www.harley-davidson.com (English only).

Verify that the most current version of the instruction sheet is used. It is available at: www.harley-davidson.com/isheets

Contact Harley-Davidson Customer Support Center at 1-800-258-2464 (U.S. only) or 1-414-343-4056.

Installation Requirements

▲ WARNING

Rider and passenger safety depend upon the correct installation of this kit. If the procedure is not within your capabilities or you do not have the correct tools, have a Harley-Davidson dealer perform the installation. Improper installation of this kit could result in death or serious injury. (00308b)

INSTALL

▲ WARNING

See **ACCESSORIES AND CARGO** section within the **SAFETY FIRST** section in your owner's manual. Improper cargo loading or accessory installation can cause component failure and adversely affect stability, handling and performance, which could result in death or serious injury. (00021c)

- Bag **MUST** be installed with the following:
 - a. Figure 5 Secure four straps with quick release buckles to luggage rack, passenger pillion or other vehicle structure.
- When installed on a luggage rack, do not exceed the load limit of the luggage rack or weight rating of bag, whichever is less.
- When installed on a passenger pillion or worn by rider, weight of contents must not exceed weight limit of 6.8 kg (15 lb).
- Verify that all straps are secured to prevent strap contact with rear wheel during motorcycle operation.
- Verify that bag, mounting straps and other components of luggage system do not cover or obstruct visibility of reflectors and lighting.
- Periodically recheck load.
- See owner's manual for recommended tire inflation pressure.

▲ WARNING

Do not exceed the motorcycle's Gross Vehicle Weight Rating (GVWR) or Gross Axle Weight Rating (GAWR). Exceeding these weight ratings can lead to component failure and adversely affect stability, handling and performance, which could result in death or serious injury. (00016f)

- GVWR is the total weight of the motorcycle, accessories, rider, passenger and cargo that can be safely carried.
- GAWR is the maximum amount of weight that can be safely carried on one axle.
- GVWR and GAWR are shown on the information plate, located on the frame downtube.

Quick Release Buckles

1. See Figure 2. Disconnect quick release buckles and clasps.

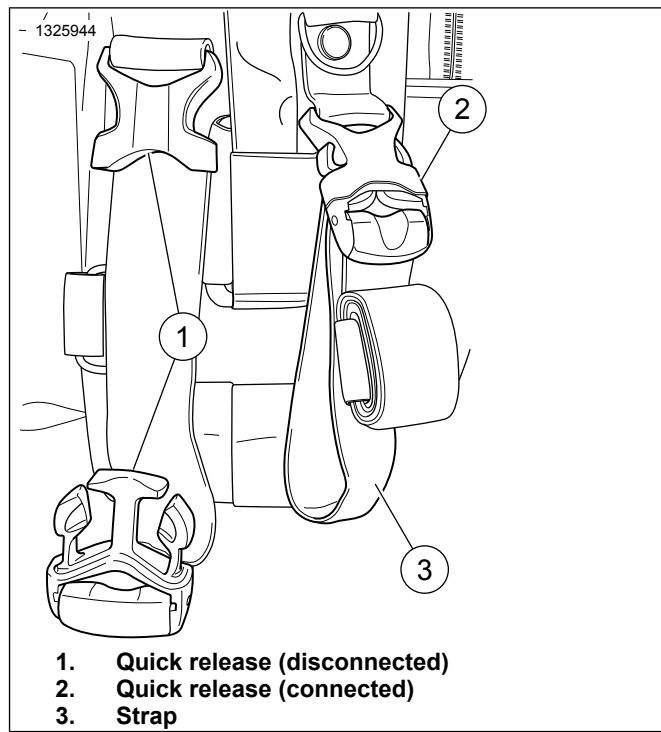


Figure 2. Quick Release Buckle

2. Secure straps to suitable vehicle structure.
3. Connect quick release buckles.
4. Pull straps tight to secure bag to vehicle.
5. See Figure 3. Close clasp to secure strap tightness.

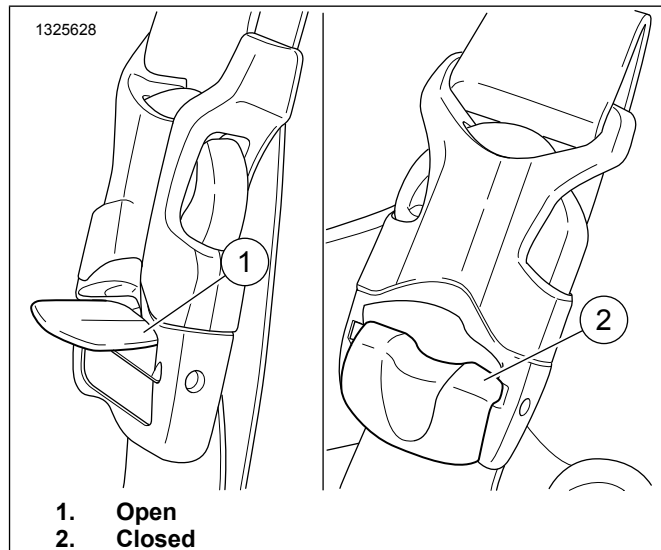


Figure 3. Open/Close Clasp

6. Check that bag is securely fastened to vehicle.
7. See Figure 4. Roll up and secure any excess strap material using hook-and-loop tabs to prevent straps from contacting the rear wheel or scratching or scuffing painted surfaces.

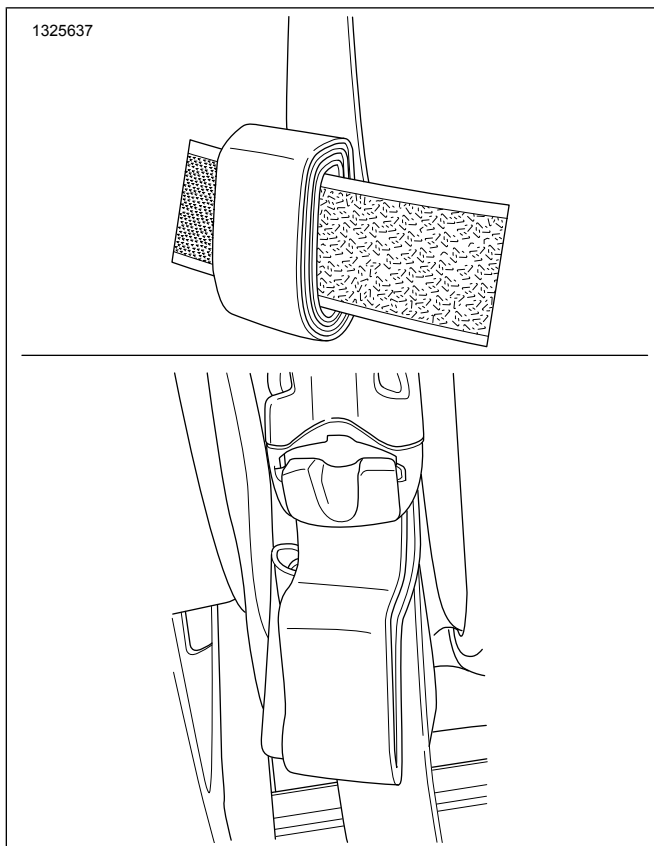


Figure 4. Excess Strap Material

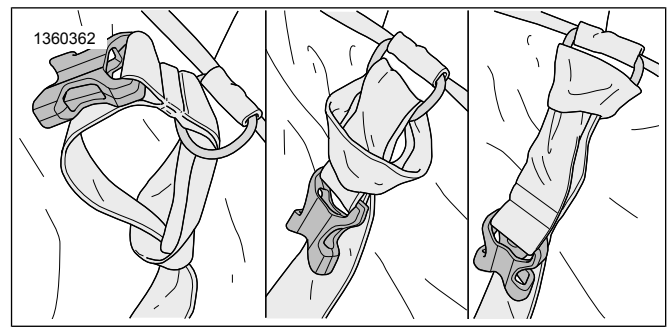


Figure 5. Quick Release Buckle Strap (93300138)

Luggage Rack / Passenger Pillion Installation

NOTE

Figure 1 Messenger bag (1) and Backpack bag (2) can be mounted to vehicle using four quick release buckle straps (5).

1. Figure 1 Attach quick release buckle straps (5) to D-rings.
 - a. See Figure 5 and Figure 6. Loop straps through D-rings (3).
2. Position bag (1,2) on luggage rack or passenger pillion.
3. Quick Release Buckles Attach a minimum of four quick release buckle straps (5).

NOTE

Figure 5 Secure four straps with quick release buckles to luggage rack, passenger pillion or other vehicle structure.

- a. Figure 6 For smaller luggage racks and passenger pillions, bottom quick release buckle straps can be criss-crossed to ensure mounting straps can be fully tightened to secure luggage to vehicle.

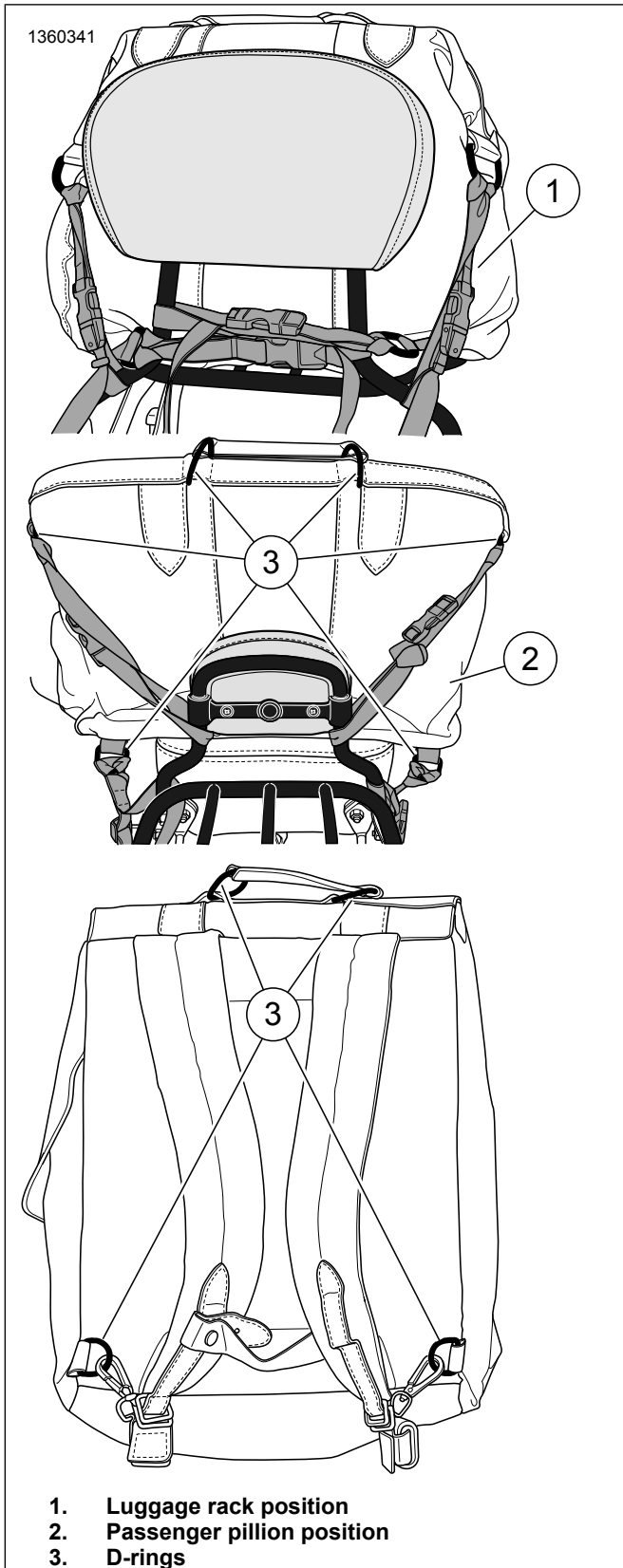


Figure 6. Luggage Rack_Passenger Pillion Install

Messenger Bag Kit

NOTE

Weight of contents must not exceed weight limit of 6.8 kg (15 lb).

1. See Figure 1 and Figure 7. Attach shoulder strap (3) to D-rings on bag (1).
2. Attach one end of belly strap (4) to D-ring on bottom of bag (1).
3. Position bag (1) on self.
4. Attach the other end of belly strap (4) across torso to D-ring on bottom of bag (1).
5. Adjust belly strap (4) and shoulder strap (3) to ensure a snug fit.

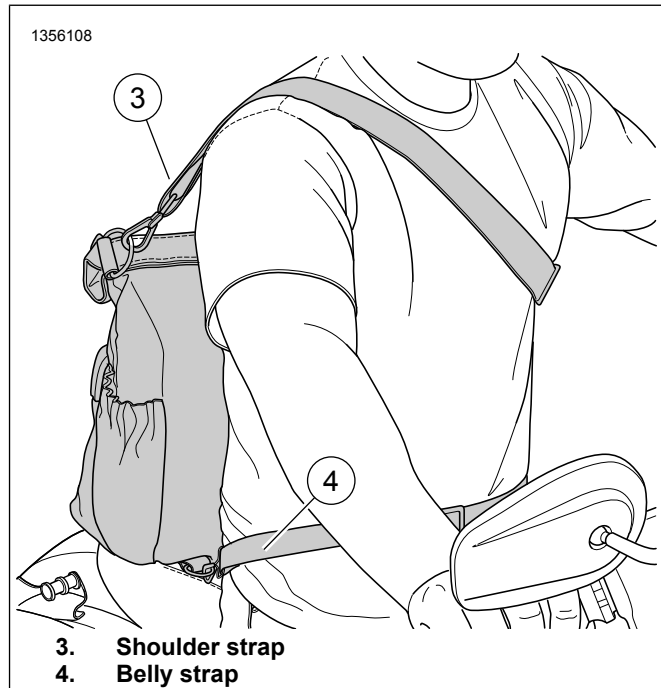


Figure 7. Messenger Bag

Backpack Bag

NOTE

Weight of contents must not exceed weight limit of 6.8 kg (15 lb).

1. Figure 1 Position backpack (2) on self.
2. Figure 8 Attach sternum strap (1) across chest for added security.

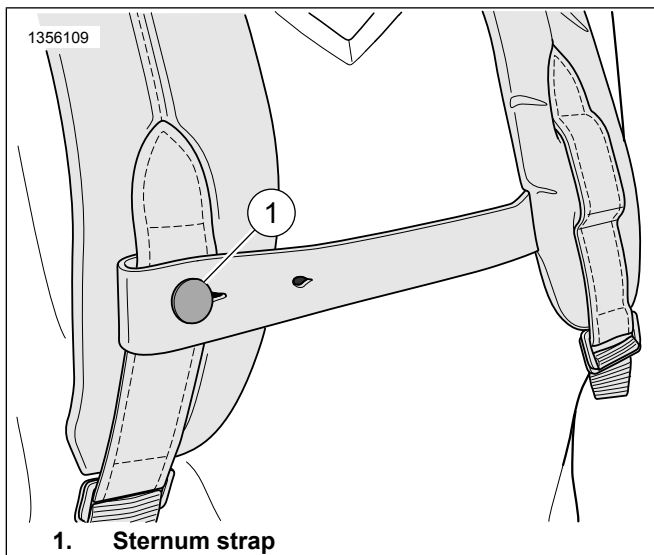


Figure 8. Backpack Bag

CARE AND MAINTENANCE INSTRUCTIONS

1. Use a lint free cloth to wipe off any dust or dirt.
2. Thoroughly clean outer surface with warm water and a mild detergent.
3. Do not use artificial means to dry material quickly.
4. Contains one or more of the following materials:
 - a. Polyester
 - b. Polypropylene
 - c. Polyethylene
 - d. Polyvinyl chloride
 - e. Cotton
 - f. Leather