



INSTRUCTIONS

94100049

2019-08-22



ONYX PREMIUM LUGGAGE COLLECTION

GENERAL INFORMATION

Table 1. General Information

Kits	Suggested Tools	Skill Level ⁽¹⁾	Time
93300126	Safety Glasses		1 hour

(1) Only simple tools and techniques required

KIT CONTENTS



Figure 1. Kit Contents: Premium Luggage Components

Table 2. Kit Contents: Premium Luggage Components

<input checked="" type="checkbox"/>	Item	Qty	Description	Part No.	Notes
<input type="checkbox"/>	1	1	Backseat roller bag (includes items 2 and 3)	93300126	
<input type="checkbox"/>	2	4	Strap, tie-down	93500024	
<input type="checkbox"/>	3	1	Rain Cover, Backseat roller	93100068	

NOTE

Verify all contents are present in the kit before installing or removing items from vehicle.

GENERAL

Models

For model fitment information, see the P&A Retail Catalog or the Parts and Accessories section of www.harley-davidson.com (English only).

Verify that the most current version of the instruction sheet is used. It is available at: www.harley-davidson.com/isheets

Contact Harley-Davidson Customer Support Center at 1-800-258-2464 (U.S. only) or 1-414-343-4056.

Installation Requirements

▲ WARNING

Rider and passenger safety depend upon the correct installation of this kit. If the procedure is not within your capabilities or you do not have the correct tools, have a Harley-Davidson dealer perform the installation. Improper installation of this kit could result in death or serious injury. (00308b)

Separate purchase and installation of additional parts or accessories may be required for proper installation of this kit. see the P&A Retail Catalog or the Parts and Accessories section of www.harley-davidson.com (English only) for a list of required parts and accessories.

Original Equipment (OE) Tour-Pak or Genuine Motor Accessory King Tour-Pak, Passenger Backrest Pad, and Luggage Rack on top of Tour-Pak are required for proper installation.

INSTALL

Harley-Davidson cannot test and make specific recommendations regarding every accessory or combination of accessories sold, the rider must assume responsibility for safe operation of the motorcycle when installing accessories or carrying additional weight. Use the following guidelines when equipping a motorcycle or carrying passengers and cargo.

▲ WARNING

See **ACCESSORIES AND CARGO** section within the **SAFETY FIRST** section in your owner's manual. Improper cargo loading or accessory installation can cause component failure and adversely affect stability, handling and performance, which could result in death or serious injury. (00021c)

- Bag MUST be installed with the following:
 - a. Figure 6 Secure four straps with quick-release buckles to luggage rack and Tour-Pak support.
- When installed on a passenger pillion, do not exceed 30 lbs (13.6 kg) total weight of bag, contents and attachments.
- Verify that all straps are secured to prevent strap contact with rear wheel during motorcycle operation.
- Verify that bag, mounting straps, rain cover and other components of luggage system do not cover or obstruct visibility of reflectors and lighting.
- Periodically recheck load.
- See owner's manual for recommended tire inflation pressure.

▲ WARNING

Do not exceed the motorcycle's Gross Vehicle Weight Rating (GVWR) or Gross Axle Weight Rating (GAWR). Exceeding these weight ratings can lead to component failure and adversely affect stability, handling and performance, which could result in death or serious injury. (00016f)

- GVWR is the total weight of the motorcycle, accessories, rider, passenger and cargo that can be safely carried.
- GAWR is the maximum amount of weight that can be safely carried on one axle.
- GVWR and GAWR are shown on the information plate, located on the frame downtube.

Premium Backrest Pad

NOTE

- Can be attached to Backseat Roller bag for added support and comfort.
 - Pad has an expandable zipper.
 - Pad includes two foam pads with different firmness.
 - Can use individually or together.
1. Figure 2 Attach backrest by snapping the four clips to bag D-rings.

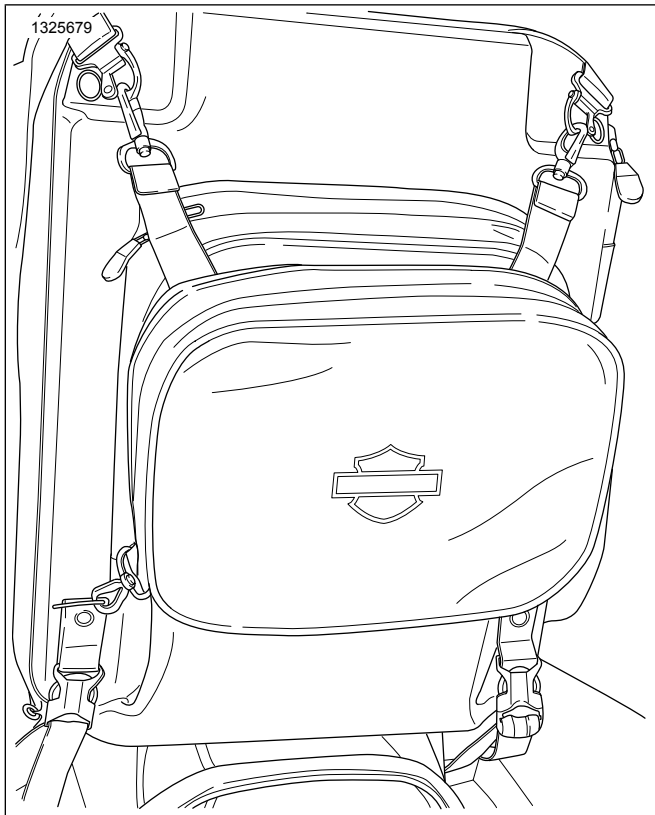


Figure 2. Premium Backrest Pad (Typical)

Quick Release Buckles

1. See Figure 3. Disconnect quick release buckles and clasps.

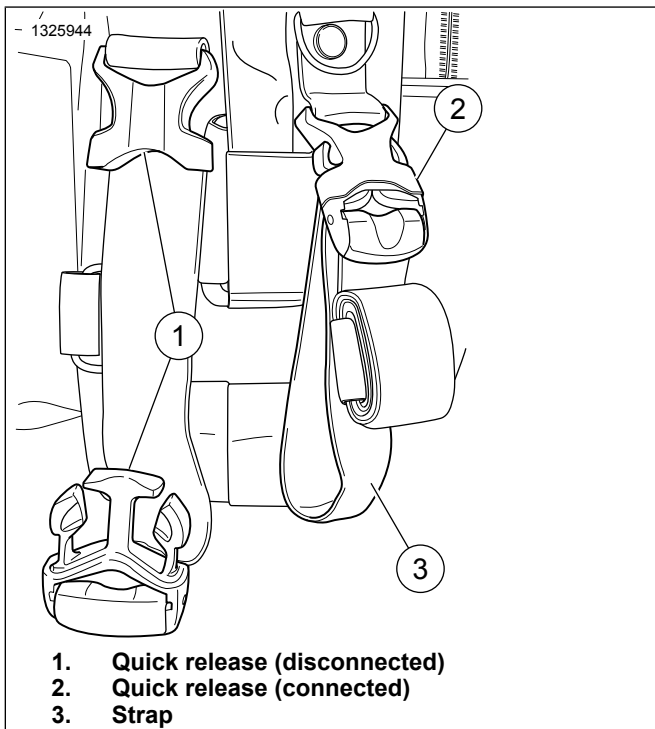


Figure 3. Quick Release Buckle

2. Secure straps to suitable vehicle structure.

3. Connect quick release buckles.
4. Pull straps tight to secure bag to vehicle.
5. See Figure 4. Close clasp to secure strap tightness.

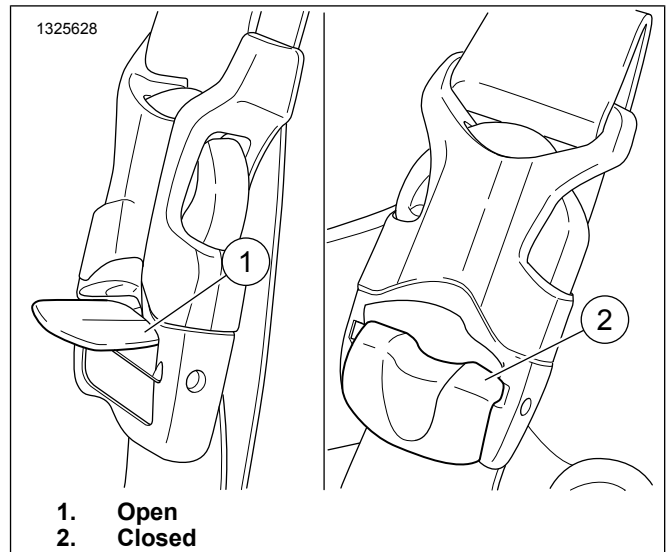


Figure 4. Open/Close Clasp

6. Check that bag is securely fastened to vehicle.
7. See Figure 5. Roll up and secure any excess strap material using hook-and-loop tabs to prevent straps from contacting the rear wheel or scratching or scuffing painted surfaces.

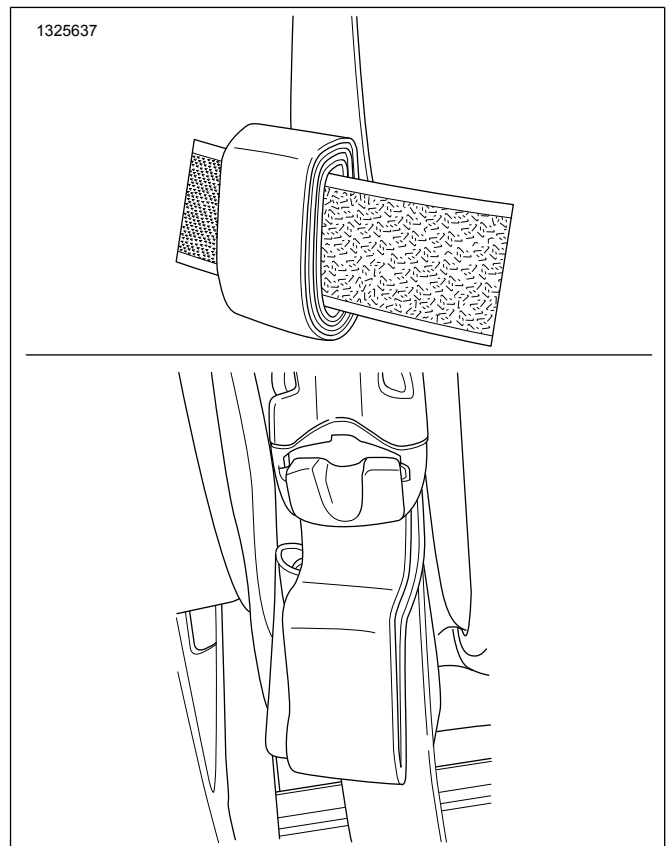


Figure 5. Excess Strap Material

Backseat Roller Bag

NOTE

A *Tour-Pak*, *Tour-Pak* rack and *Passenger backrest pad* are required for mounting bag.

1. Figure 6 Position bag on passenger pillion seat.
2. Attach snap clip on tie-down strap to D-rings (1).
3. Quick Release Buckles Attach the four quick release clasp buckle straps.
4. Attach top straps to T-Pak luggage rack (2).
5. Attach lower straps to T-pak support or other suitable structure (3).
6. Confirm that no wires/cables are pinched by strap.
7. Confirm backseat roller bag is centered between passenger speaker pods.
3. Snap clip to suitable D-ring on bag.
4. Pull rain cover (1) over entire bag with Bar and Shield facing passenger backrest.
5. Figure 7 Loosely attach upper snap clip on tie-down straps (3) to D-rings through slots in rain cover.
6. Figure 8 Pull draw string at bottom of cover to tighten and secure with barrel lock.
7. Center backseat roller bag between passenger speaker pods.
8. Secure the four mounting straps (2) to vehicle.
9. Quick Release Buckles
 - a. Secure hook and loop closure in rain cover slots over the D-ring and snap clip for upper mounting straps.

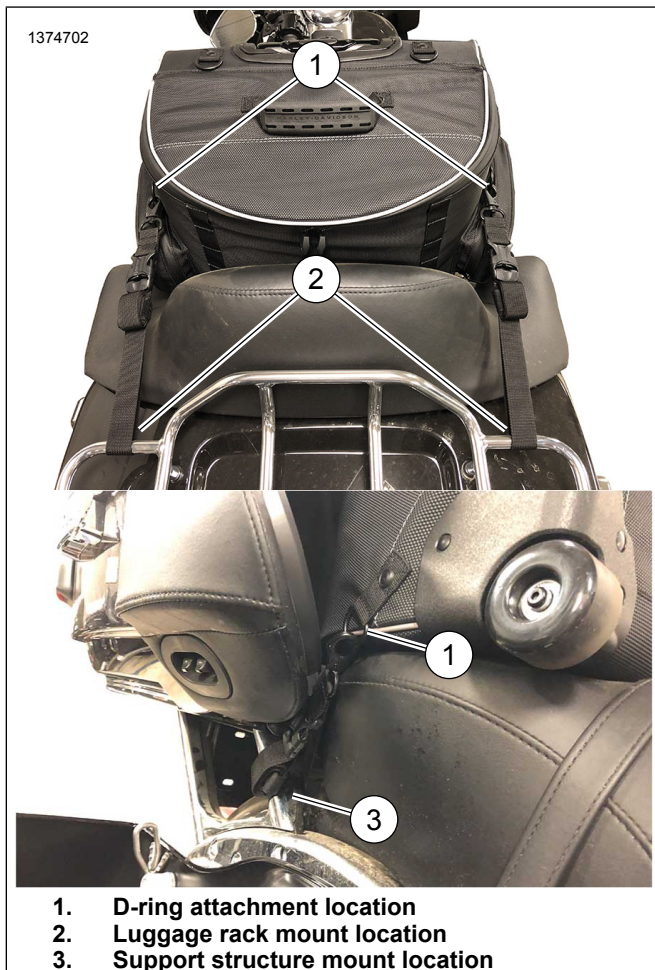


Figure 6. Backseat Roller Bag

Rain Cover

1. Loosely attach lower mounting straps (2) to bag.
2. Locate 1 in. web strap with snap clip inside of rain cover.

1378973



CARE AND MAINTENANCE

1. Use a lint free cloth to wipe off any dust or dirt.
2. Thoroughly clean outer surface with warm water and a mild detergent.
3. Allow material to dry naturally and completely before use or storage.
4. Do not use artificial means to dry material quickly.
5. Contains one or more of the following materials:
 - a. Polyester
 - b. Polypropylene
 - c. Polyvinyl Chloride
 - d. Ethylene Vinyl Acetate



Figure 7. Rain Cover

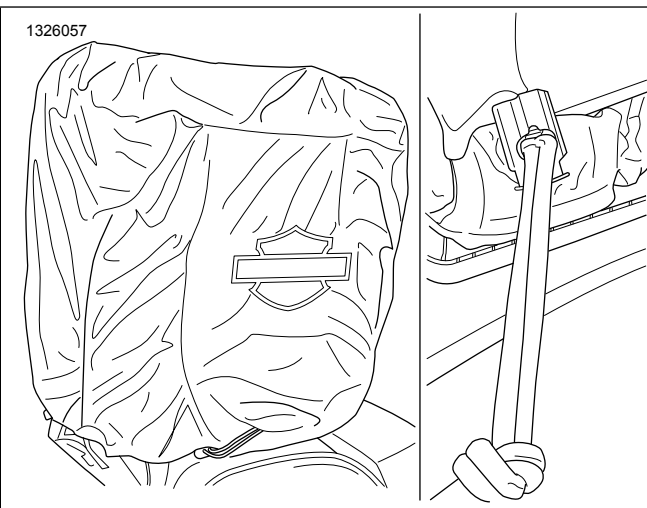


Figure 8. Draw String (Typical)