



INSTRUCTIONS

94100184

2020-08-24



MIRROR KITS

GENERAL INFORMATION

Table 1. General Information

Kits	Suggested Tools	Skill Level ⁽¹⁾	Time
56000263	Safety Glasses, Torque Wrench		1 hour

(1) Tightening to torque value or other moderate tools and techniques required

KIT CONTENTS



Figure 1. Kit Contents: Mirror Kit Components

Table 2. Kit Contents: Mirror Kit Components

<input checked="" type="checkbox"/>	Item	Qty	Description	Part No.	Notes
<input type="checkbox"/>	1	1	Mirror, left	56000265	
<input type="checkbox"/>			Mirror, right	56000264	
<input type="checkbox"/>	2	2	Lock washer	7155	
<input type="checkbox"/>	3	2	Acorn nut, black	7532	

NOTE

Verify that all contents are present in the kit before installing or removing items from vehicle.

GENERAL

Models

For model fitment information, see the P&A Retail Catalog or the Parts and Accessories section of www.harley-davidson.com (English only).

Verify that the most current version of the instruction sheet is used. It is available at: www.harley-davidson.com/isheets

Contact Harley-Davidson Customer Support Center at 1-800-258-2464 (U.S. only) or 1-414-343-4056.

Installation Requirements

▲ WARNING

Rider and passenger safety depend upon the correct installation of this kit. If the procedure is not within your capabilities or you do not have the correct tools, have a Harley-Davidson dealer perform the installation. Improper installation of this kit could result in death or serious injury. (00308b)

XG Models

REMOVE

1. See Figure 2. Remove mirror (1).
 - a. Remove mirror (1).
 - b. Remove tube nut (3).
 - c. Remove mirror mount (4).

INSTALL

1. See Figure 2. Install mirror. Discard acorn nut and lockwasher from kit.
 - a. Install Original Equipment (OE) mirror mount (4).
Torque: 11.7–14.3 N·m (9–11 ft-lbs)
 - b. Install OE tube nut (3) to mirror stem (2). Hand tighten.
 - c. Install mirror and tube nut to mirror mount. Hand tighten.
 - d. Adjust mirror (1).
 - e. Tighten tube nut.
Torque: 11.7–14.3 N·m (9–11 ft-lbs)

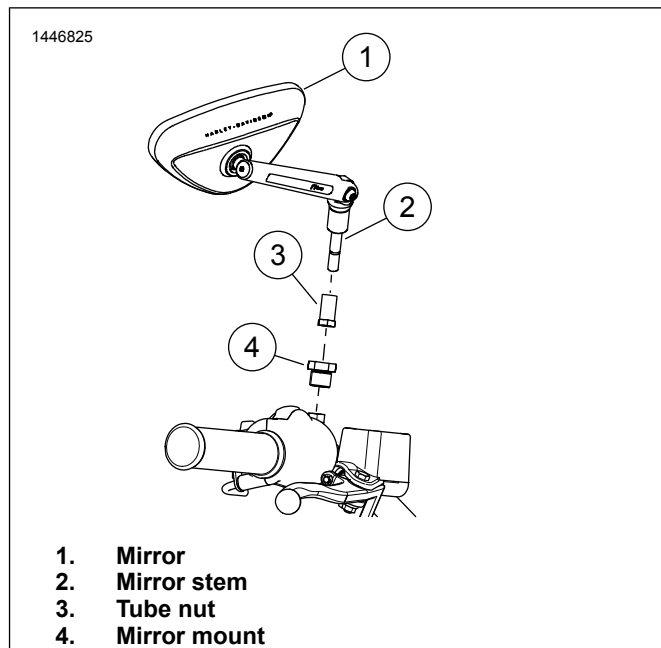


Figure 2. Mirror

All Other Models

REMOVE

1. Remove existing mirror.
2. Discard mirror and hardware.

INSTALL

1. See Figure 3. For vehicles with turn signals mounted to the underside of the hand lever housings (except 2004 and later XL models):
 - a. Secure left side mirror with lockwasher (4) and acorn nut (5) from kit.
 - b. Secure right side mirror with lockwasher (4) and acorn nut (5) from kit.
2. For vehicles with turn signals mounted away from the hand lever housings:
 - a. Insert mirror studs into holes in hand lever housing.
 - b. Secure left and right side mirrors with lockwasher (4) and acorn nut (5) from kit.

NOTE

Harley-Davidson Motor Company cannot test and make specific fitment recommendations concerning every possible mirror and handlebar combination. Therefore, after installing new mirrors or handlebars and before operating the motorcycle, check that the mirrors provide the operator a clear view to the rear.

3. Adjust mirrors for proper field of view.
4. Check adjustment and reposition if necessary.

5. Secure acorn nut (5). Tighten.
Torque: 13.5–18.9 N·m (10–14 ft-lbs)

MIRROR ARM PIVOT ADJUSTMENT

1. See Figure 3. Adjust mirror arm angle for proper field of view.
2. Secure mirror adjustment screw (2). Tighten.
Torque: 5–6 N·m (44–53 in-lbs)

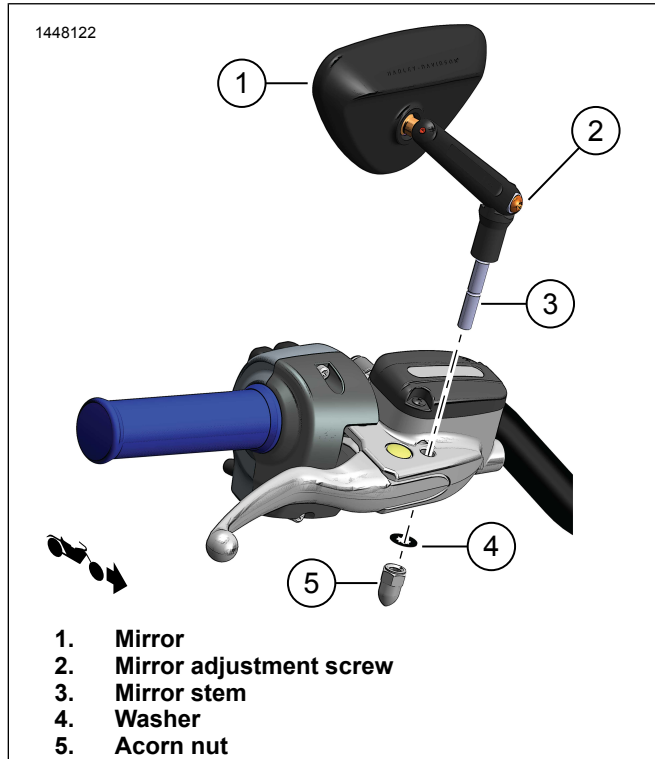


Figure 3. Mirror