



# INSTRUCTIONS

J05689

2013-06-20



## CHROME HEADLAMP BRACKET KIT

### GENERAL

#### Kit Number

69709-00A

#### Models

For model fitment information, see the P&A Retail Catalog or the Parts and Accessories section of [www.harley-davidson.com](http://www.harley-davidson.com) (English only).

#### ⚠ WARNING

Rider and passenger safety depend upon the correct installation of this kit. If the procedure is not within your capabilities or you do not have the correct tools, have a Harley-Davidson dealer perform the installation. Improper installation of this kit could result in death or serious injury. (00308b)

#### Kit Contents

See Figure 2 and Table 1.

### INSTALLATION

1. See Figure 1. Remove and save snap plug (1) from existing headlamp bracket (5).
2. Remove and save headlamp adjusting nut (2), lockwasher (3) and adjustment washer (4).
3. Remove two screws and washers securing headlamp bracket. Discard screws and washers.
4. Install new headlamp bracket (2) using two TORX® screws (1) and washers (3) from kit. Tighten screws to 14–16 N·m (10–12 ft-lbs).
5. Install headlamp adjusting washer, lockwasher and adjustment nut removed in Step 3. Tighten nut to 14–20 N·m (10–15 ft-lbs).
6. Adjust headlamp as necessary by following instructions in applicable owner's manual.
7. Install snap plug removed in Step 1.

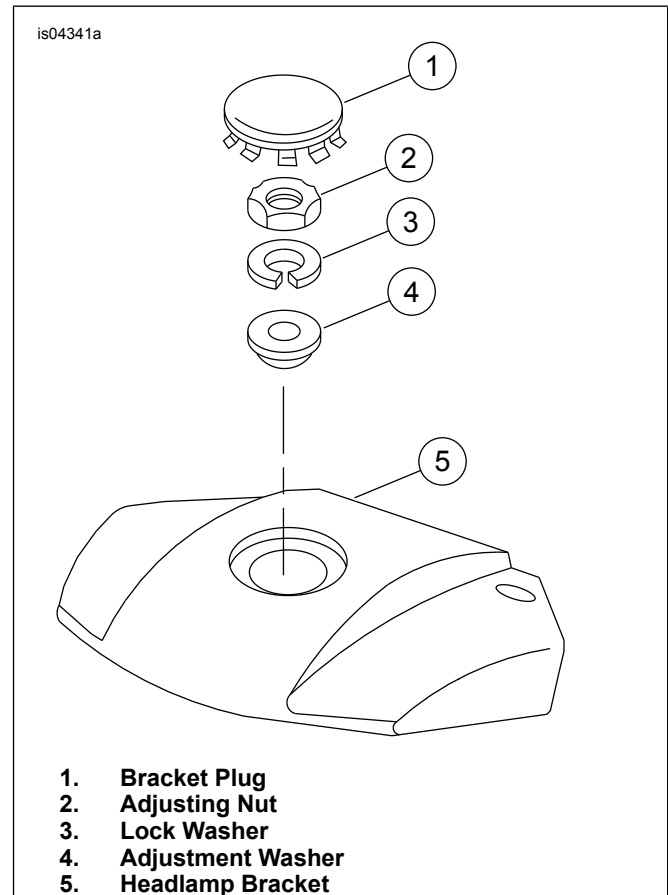


Figure 1. Remove Stock Headlamp Bracket



## SERVICE PARTS

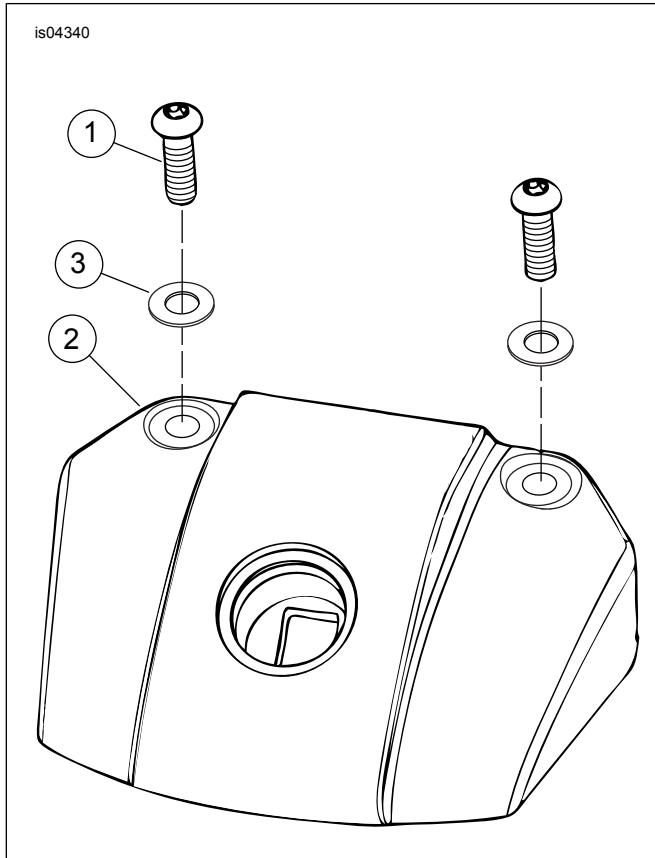


Figure 2. Service Parts: Chrome Headlamp Bracket Kit

Table 1. Service Parts

Item	Description (Quantity)	Part Number
1	Screw, buttonhead TORX (2)	94601-98
2	Bracket, headlamp, chrome	Not Sold Separately
3	Washer, flat (2)	6330