



INSTRUCTIONS

J05925

2013-10-01



CENTER STAND KIT

GENERAL

It is **strongly advised** that this kit be installed by an authorized Harley-Davidson dealer.

Kit Number

92900014

Models

For model fitment information, see the P&A retail catalog or the Parts and Accessories section of www.harley-davidson.com (English only).

Installation Requirements

⚠ WARNING

Rider and passenger safety depend upon the correct installation of this kit. If the procedure is not within your capabilities or you do not have the correct tools, have a Harley-Davidson dealer perform the installation. Improper installation of this kit could result in death or serious injury. (00308b)

NOTE

This instruction sheet refers to service manual information. A service manual for this year/model motorcycle is available from a Harley-Davidson dealer.

LOCTITE 271 HIGH STRENGTH THREADLOCKER (red) (99671-97) is required to complete this installation and is available from a Harley-Davidson dealer.

NOTE

Prior to installation of this kit, inspect the frame support bracket for damage. If damage is found, contact a Harley-Davidson dealer.

Kit Contents

See Figure 2 and Table 1.

INSTALLATION

⚠ WARNING

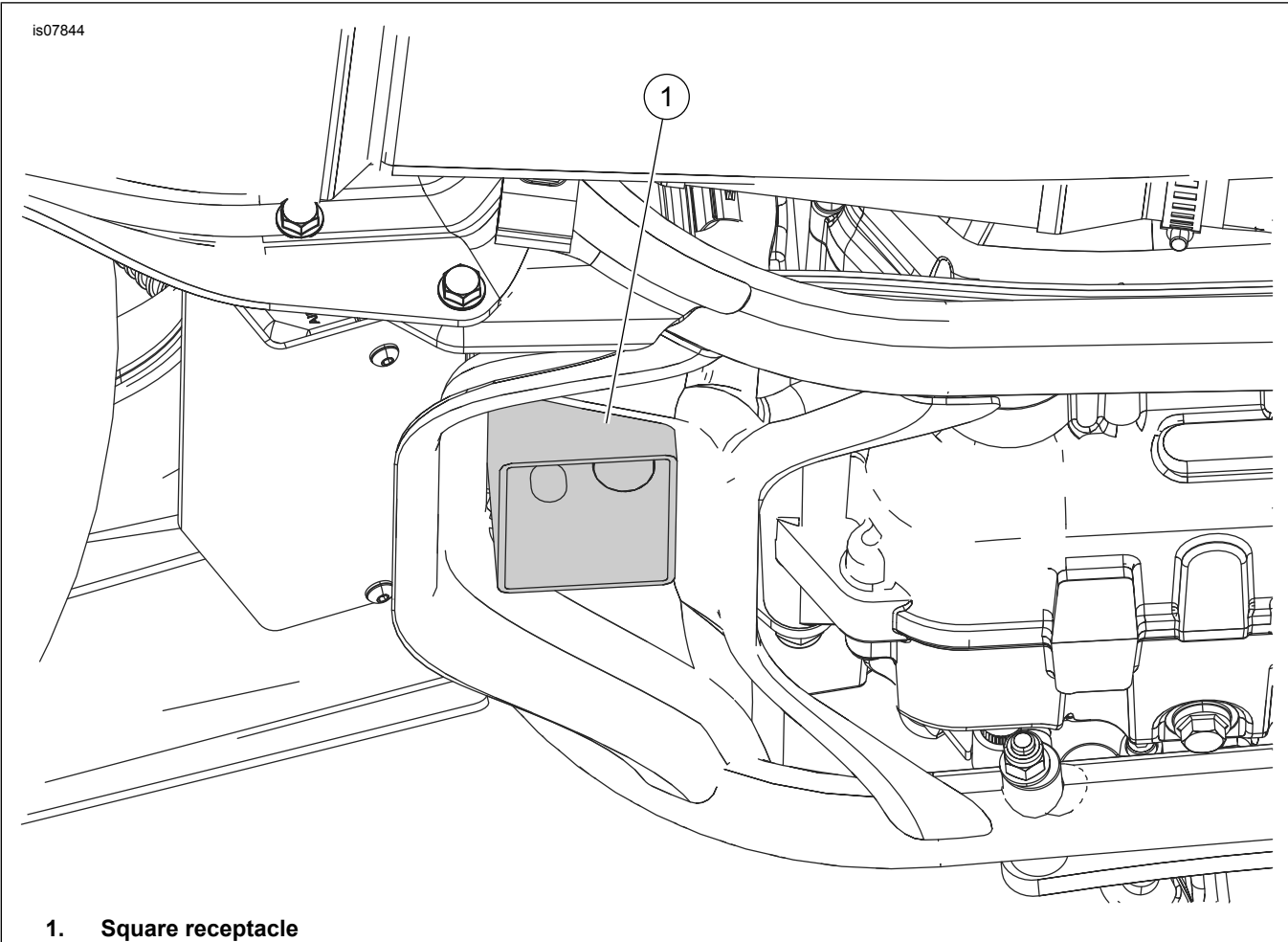
To prevent accidental vehicle start-up, which could cause death or serious injury, remove main fuse before proceeding. (00251b)

1. Refer to the service manual to remove the main fuse.
2. See Figure 2. Place the stand assembly under the vehicle with the foot lever (A) on the left. Insert mounting weldment (4) up into square receptacle (1) shown in Figure 1.
3. Apply LOCTITE 271 HIGH STRENGTH THREADLOCKER (red) to the threads of the screws (3). Start both screws.

NOTE

For best results, use a ball-end hex socket.

4. Tighten both screws, left side first. Tighten to 51.5 N-m (38 ft-lbs).
5. Refer to the service manual to install the main fuse.



1. Square receptacle

Figure 1. View from below Motorcycle

USING THE STAND

⚠ WARNING

When using this display stand, do not park on inclined surfaces with the motorcycle front pointing downhill. The vehicle could roll off the stand and fall, resulting in death or serious injury. (00524b)

⚠ WARNING

Never start engine when motorcycle is on display stand. Motorcycle could fall resulting in death or serious injury. (00548b)

NOTE

When using a motorcycle lifting device, do not allow motorcycle lifting device to come in contact with the stand. Damage may occur to stand.

SERVICE PARTS

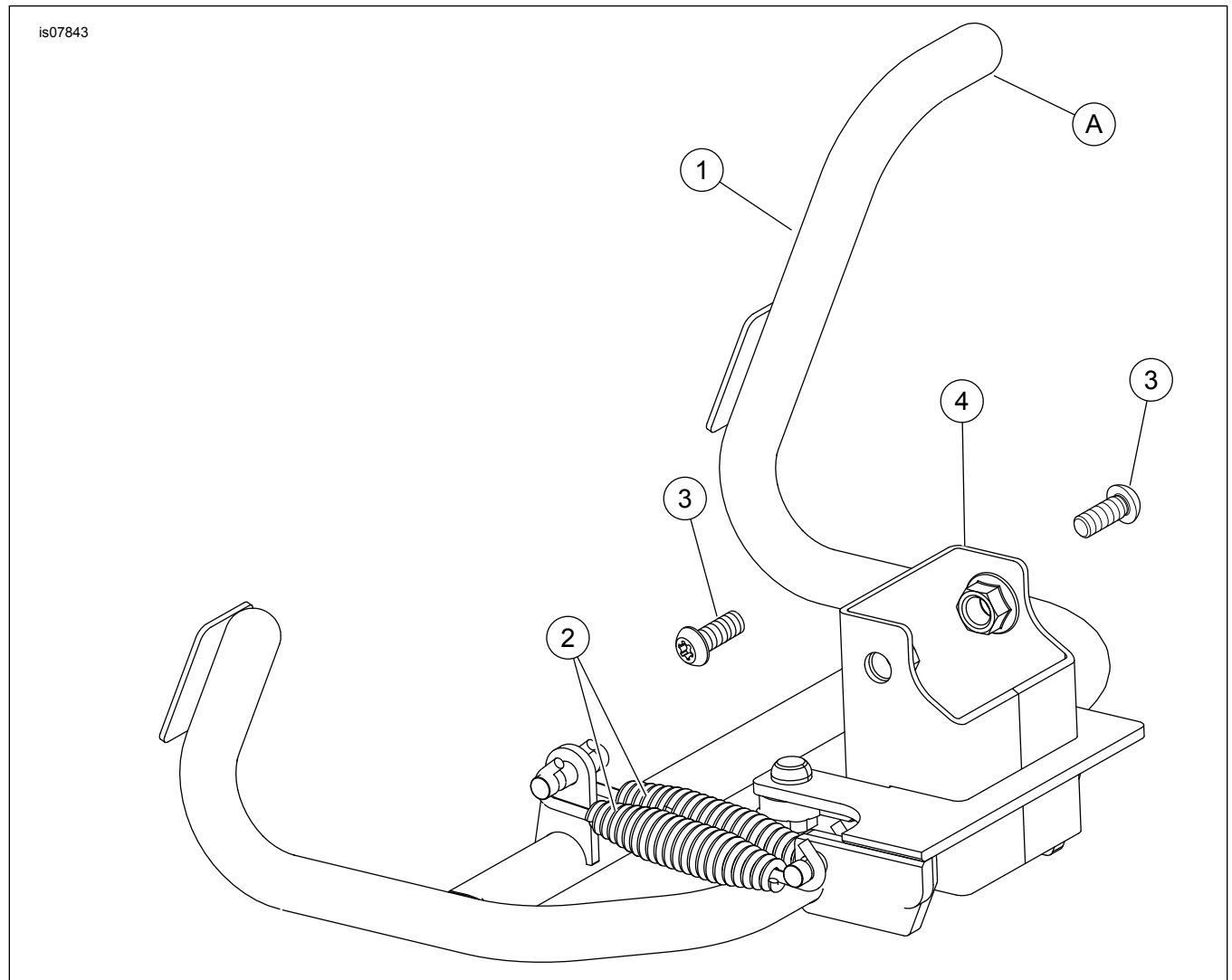


Figure 2. Kit Contents: Center Stand Kit

Table 1. Kit Contents

Item	Description (Quantity)	Part Number
1	Leg weldment	not serviced
2	Spring (2)	50005-85A

Engaging the Stand

1. Stop the vehicle on a level surface.
2. See Figure 2. While standing on the left side of the vehicle, push down on the leg weldment (1) until it touches the surface. Be sure both sides are contacting the surface.
3. Push leg down and pull the motorcycle backwards until the support travels over center and the vehicle is stable.

Retracting the Stand

While grasping the handlebar securely, push forward on the vehicle until the stand retracts.

Table 1. Kit Contents

Item	Description (Quantity)	Part Number
3	Screw (2)	10200057
4	Mounting weldment	not serviced