



# INSTRUCTIONS

J06638

2018-08-20



## SADDLEBAG SUPPORT RAILS

### GENERAL

#### Kit Number

90201777

#### Models

For model fitment information, see the P&A retail catalog or the Parts and Accessories section of [www.harley-davidson.com](http://www.harley-davidson.com) (English only).

#### Installation Requirements

##### ⚠ WARNING

Rider and passenger safety depend upon the correct installation of this kit. If the procedure is not within your capabilities or you do not have the correct tools, have a Harley-Davidson dealer perform the installation. Improper installation of this kit could result in death or serious injury. (00308b)

##### ⚠ WARNING

Do not exceed saddlebag weight capacity. Put equal weight in each bag. Too much weight in saddlebags can cause loss of control, which could result in death or serious injury. (00383a)

##### NOTE

Do not exceed bag capacity, up to 4.5 kg (10 lb) rail capacity per side.

Separate purchase of Tail Light Relocation Kit 67800802 or 67800830.

#### Kit Contents

See Figure 2 and Table 1

#### INSTALLATION

1. Install tail light relocation kit 6780082 or 67800830 before installing support rails. Sold separately.

##### NOTE

Remove fender screw one at a time to not lose the nut plate behind the fender strut.

- a. If mounting without a sissybar rack, secure using short screws. Tighten. 28–36 N·m (21–27 ft-lbs)
- b. If mounting with a sissybar rack, secure using long screws and mount rails outside of sissybar mounting points. Tighten. 28–36 N·m (21–27 ft-lbs)

2. Figure 1 Loosen fender support screws (1).

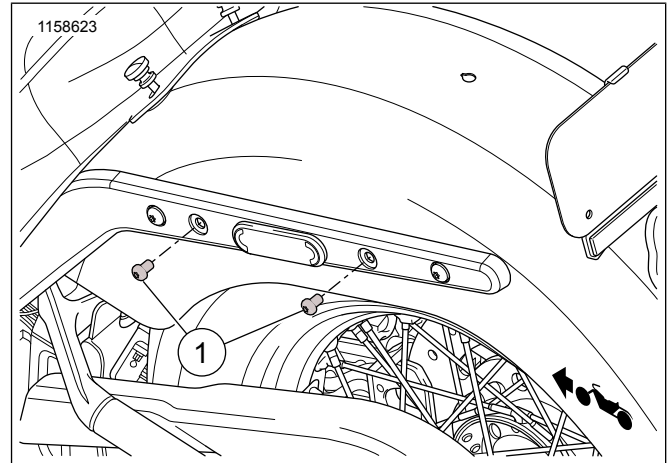


Figure 1. Screw Removal - Rear Fender

3. Figure 1 Remove rear screw (1), discard.
4. Figure 2 Install support rail (1) rear fender support using screw (2) from kit.
5. Remove front screw, discard.
6. Figure 2 Install support rail (1) front fender support using screw (2) from kit.
7. Secure both screws. tighten.  
Torque: 28–36 N·m (21–27 ft-lbs)
8. Repeat steps 2 through 7 on other side of vehicle.

#### SERVICE PARTS

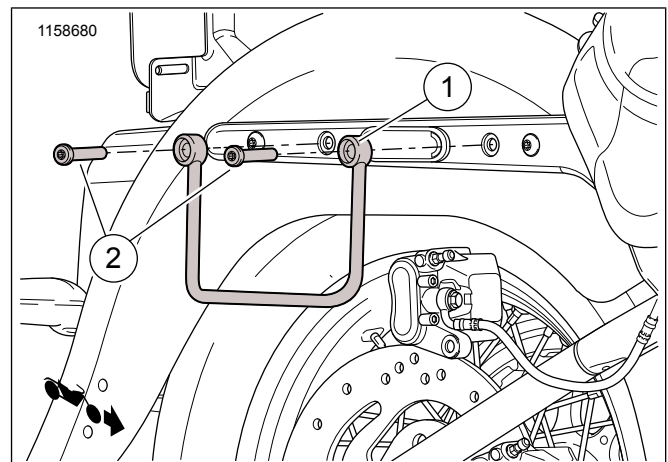


Figure 2. Service Parts: Saddlebag Support Rails

**Table 1. Service Parts: Saddlebag Support Rails**

<b>Item</b>	<b>Description (Quantity)</b>	<b>Part Number</b>
1	Support rail, LH Support rail, RH	90201778 90201779
2	Screw, Torx, w/lockpatch, Long (4) Screw, Torx, w/lockpatch, Short (4)	10200033 10200601