



INSTRUCTIONS

J06153

2024-04-25



RIDER FOOTBOARD KIT

GENERAL

Kit Number

50500436, 50501150, 50501227, 50501265

Models

For model fitment information, see the P&A Retail Catalog or the Parts and Accessories section of www.harley-davidson.com (English only).

NOTE

There may be decreased access to the jiffy stand tab on Softail models.

Installation Requirements

FLTRXSTSE models: Separate purchase of Front Support Mounts (Part No. 47200202A - qty of 2) is required. See service manual for removal of old front supports and install of **new** supports.

⚠ WARNING

Rider and passenger safety depend upon the correct installation of this kit. If the procedure is not within your capabilities or you do not have the correct tools, have a Harley-Davidson dealer perform the installation. Improper installation of this kit could result in death or serious injury. (00308b)

Kit Contents

Kits 50500436 and 50501265: See Figure 1 and Table 1.

Kits 50501150 and 50501227: See Figure 2 and Table 2.

INSTALLATION

1. Remove the two hinge bolts and locknuts attaching the existing footboard to the mounting brackets. Remove the footboard. Save the hardware for installation.

2. **2016 and earlier Touring only:** Remove existing front mounts. Install new front mounts from the kit using the original hardware. Tighten.

Torque: 9–12 N·m (60–80 in-lbs)

NOTE

Wear pegs are only required on Touring models with lowered suspension.

3. Assemble footboard assembly (2) into footboard bottom (4) by pulling rubber mount flange through the mounting hole. Install the wear peg. Tighten.

Torque: 5.4–8.1 N·m (4–6 ft-lbs)

- See Figure 1. Set the correct footboard in place over the mounting brackets. Align the holes and install the pivot screws and nuts removed in Step 1. Nuts should be on the inboard side.
- Tighten.
Torque: 9–12 N·m (60–80 in-lbs)
- Check that the footboard pivots freely on the hinge bolts.
- Repeat for the opposite side.

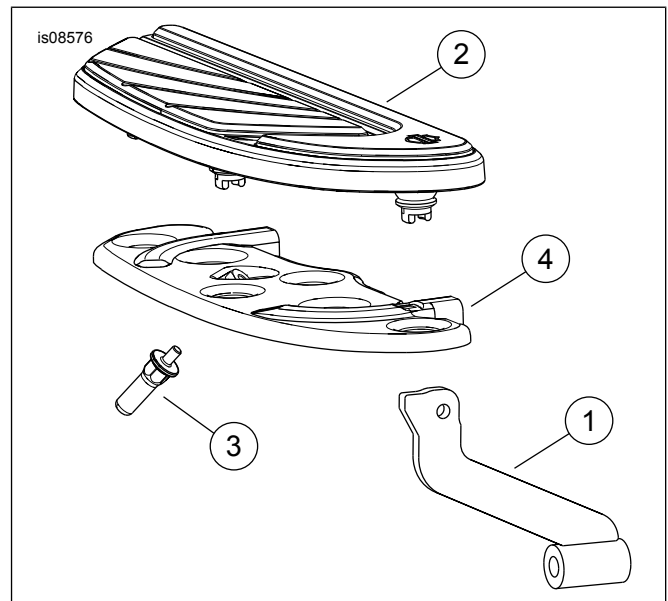


Figure 1. Service Parts: Rider Footboard (Kits 50500436 and 50501265)

Table 1. Service Parts: Kits 50500436 and 50501265

Item	Description (Quantity)	Part Number
1	Bracket assembly (2)	47200302A
2	Footboard assembly, right, Chrome	50500343
	Footboard assembly, right, Black	50501018
	Footboard assembly, left, Chrome (not shown)	50500347
	Footboard assembly, left, Black (not shown)	50501019
3	Wear peg (2)	33130-07A
4	Footboard bottom, right	50500348
	Footboard bottom, left (not shown)	50500349



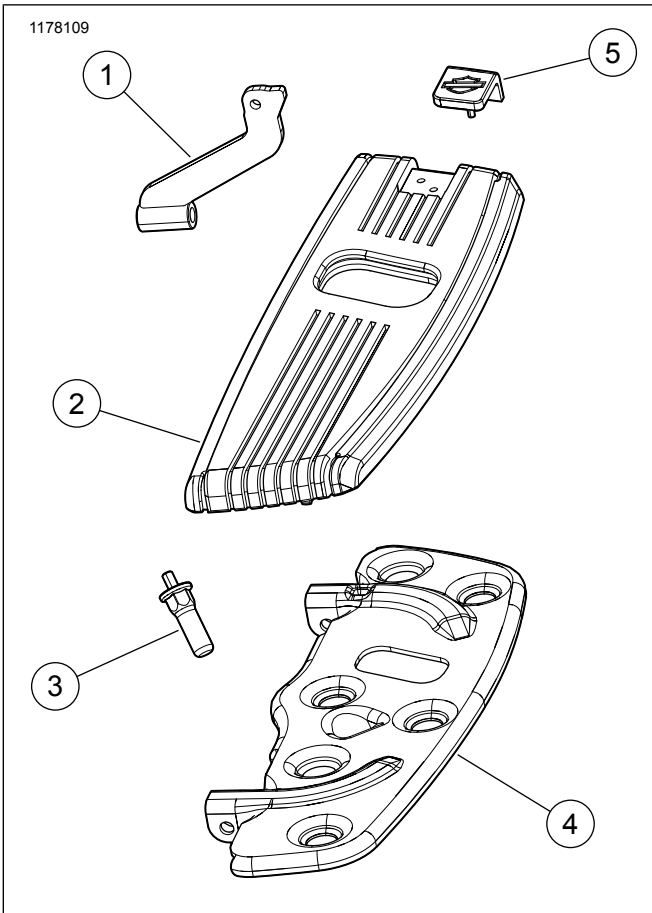


Figure 2. Service Parts: Rider Footboard (Kits 50501150 and 50501227)

Table 2. Service Parts: Kits 50501150 and 50501227

Item	Description (Quantity)	Part Number
1	Bracket assembly (2)	47200302A
2	Footboard assembly, right, Chrome	50501218
	Footboard assembly, right, Black	50501216
	Footboard assembly, left, Chrome (not shown)	50501219
	Footboard assembly, left, Black (not shown)	50501217
3	Wear peg (2)	33130-07A
4	Footboard bottom, right, Chrome	50501220
	Footboard bottom, right, Black	
	Footboard bottom, left, Chrome (not shown)	50501221
	Footboard bottom, left, Black (not shown)	
5	Medallion, right	50501223
	Medallion, left (not shown)	50501224