



INSTRUCTIONS

J00439

2013-11-01



SPRINGER HORN KIT

GENERAL

Kit Number

69036-88A

Models

For model fitment information, see the P&A retail catalog or the Parts and Accessories section of www.harley-davidson.com (English only).

▲ WARNING

Rider and passenger safety depend upon the correct installation of this kit. If the procedure is not within your capabilities or you do not have the correct tools, have a Harley-Davidson dealer perform the installation. Improper installation of this kit could result in death or serious injury. (00308b)

NOTE

When installing this kit, **DO NOT** disconnect the original equipment horn. This product is intended to be used as a supplemental horn only and is **NOT** a replacement for the original equipment horn.

Kit Contents

Table 1. Kit Contents

Quantity	Description
2	Bolt, 5/16-18 x 3/4 in.
2	Washer, 5/16 in. flat
2	Locknut, 5/16-18 acorn
1	Ring terminal
2	Flag terminal
1	Terminal, male/female spade
10	Cable strap
1	Bumper
1	Horn assembly
1	Screw, 3/8-16 x 3 in., socket head
2	Spacer, 0.220
2	Spacer, 0.090
1	Bracket, horn mounting
1	Wire, pink
1	Wire, grey
1	Conduit

INSTALLATION

1. Assemble horn to chrome mounting bracket with 5/16-18 x 3/4 in. bolts and 5/16 in. flat washers behind mount with acorn locknuts in front. Chrome mounting bracket goes in front of painted horn bracket. Tighten hardware securely. Add bumper to center screw on horn.

NOTE

To hide horn wiring most efficiently position horn terminals toward top of unit when horn is mounted. Remove horn face and rotate so winged bar and shield sits upright.

2. Attach horn bracket to upper shock mount. Remove original acorn nut, washer and bolt. Save washer and nut. Replace with 3/8-16 x 3 in. screw in kit.
3. Fasten bracket using 3 in. screw (from kit) and 3/8 in. flat washer. Insert screw through left mounting tab, spacer(s), shock and shock mounting tabs, spacer(s) and right mounting tab on bracket.
4. Add flat washer and original acorn nut. Tighten finger tight.

NOTE

See Figure 1. If mounting with accessories 58044-88A Windshield Kit and/or 68253-88A Passing Lamp Kit, mount to upper shock mount in the order described in Figure 1.

5. Rotate horn bracket so there is approximately 6.35 mm (1/4 in) clearance between rubber bumper and shock. Tighten shock mounting hardware to 45 ft-lbs (61.0 Nm).

Wiring

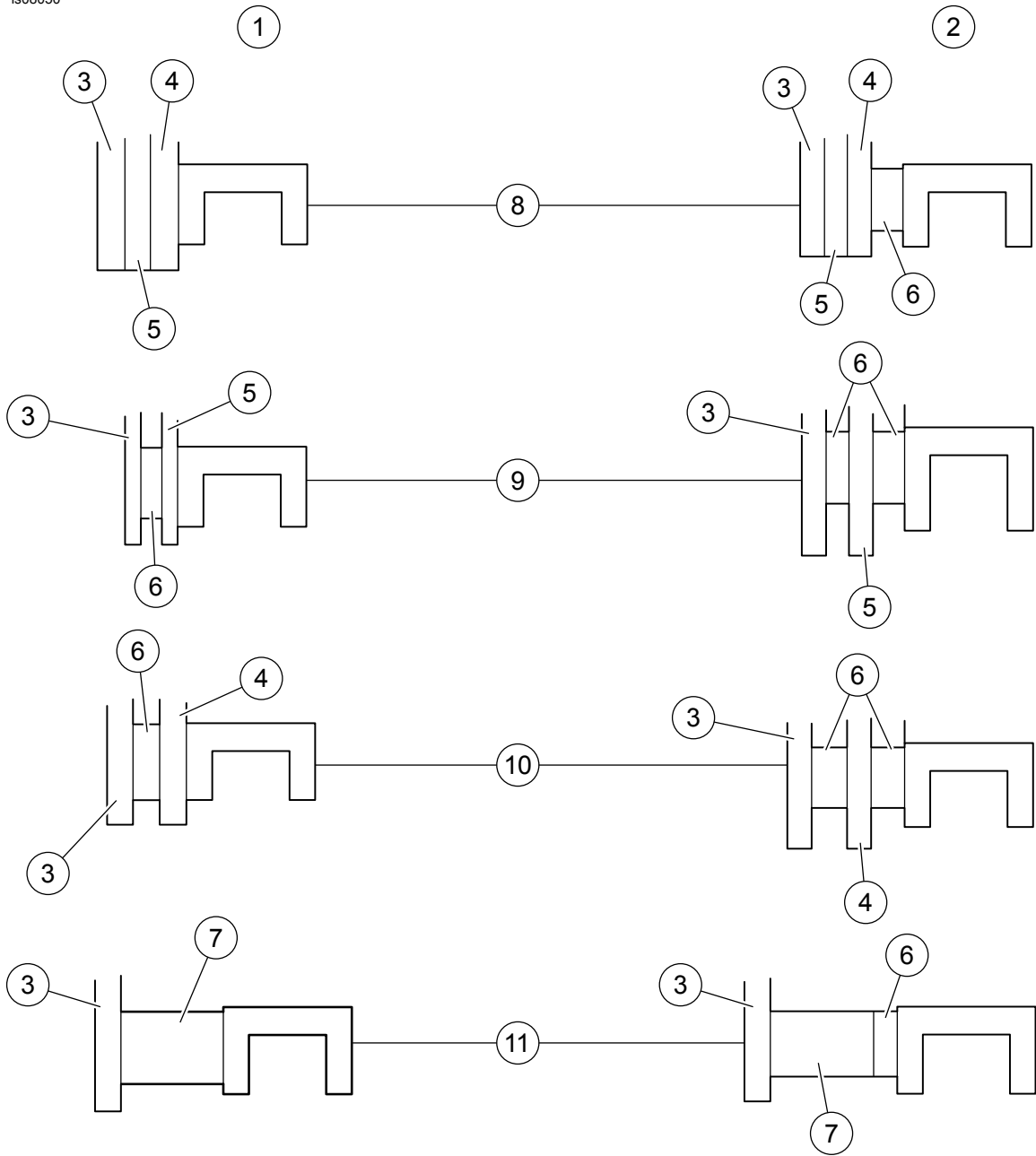
▲ WARNING

Disconnect negative (-) battery cable first. If positive (+) cable should contact ground with negative (-) cable connected, the resulting sparks can cause a battery explosion, which could result in death or serious injury. (00049a)

1. Encase pink and grey wires in conduit. Terminate one end with spade terminals from kit. Connect these ends to horn terminals.
2. Route pink wire to hot terminal on original horn. Trim conduit and wire to necessary length and terminate with male/female spade connector from kit. Dress wires with cable straps.
3. Disconnect hot wire to original horn and connect to male end of male/female connector on pink wire from new horn.
4. Connect female side of male/female connector to terminal previously vacated by hot wire on the original horn.
5. Route grey wire alongside pink to rear of top motor mount bracket. Trim wire to correct length and terminate with ring terminal from kit. Ground this wire at rear cylinder top mounting stud.
6. Test operation of horns.

If mounting with accessories 58044-88A Windshield Kit and/or 68253-88A Passing Lamp Kit, mount to upper shock mount in the following order:





- | | |
|----------------------------|---------------------------------------|
| 1. 1992 and earlier models | 7. 0.220 in. spacer |
| 2. 1993 and later models | 8. Horn, windshield and passing lamps |
| 3. Horn bracket | 9. Horn and windshield |
| 4. Passing lamp bracket | 10. Horn and passing lamps |
| 5. Windshield bracket | 11. Horn only |
| 6. 0.09 in. spacer | |

Figure 1. Mounting Chart for Accessories