



# INSTRUCTIONS

J05594

2017-08-28



## H-D DETACHABLES KING TWO-UP LUGGAGE RACK

### GENERAL

#### Kit Numbers

50300054A, 50300058A

#### Models

For model fitment information, see the P&A retail catalog or the Parts and Accessories section of [www.harley-davidson.com](http://www.harley-davidson.com) (English only).

#### Installation Requirements

Separate purchase of extra parts or accessories may be required for proper installation of this H-D® Detachables™ Kit. See the P&A retail catalog or the Parts and Accessories section of [www.harley-davidson.com](http://www.harley-davidson.com) (English only) for a list of required parts or accessories.

For fitment issues, adjust your docking hardware according to the I-sheet included in the docking hardware kit.

#### ⚠ WARNING

Rider and passenger safety depend upon the correct installation of this kit. If the procedure is not within your capabilities or you do not have the correct tools, have a Harley-Davidson dealer perform the installation. Improper installation of this kit could result in death or serious injury. (00308b)

#### ⚠ WARNING

Do not exceed luggage rack weight capacity. Too much weight can cause loss of control, which could result in death or serious injury. (00373a)

#### NOTE

Luggage rack capacity is 13.61 kg (30 lb)

#### Kit Contents

See Figure 3 and Table 1.

### INSTALLATION

1. Unless already in place, install a docking hardware kit using the instructions in **that** kit.
2. See Figure 1. While standing behind the motorcycle, place the rack side plate notches (2) into the forward docking points (4). Make sure the notches seat fully into the mounts.

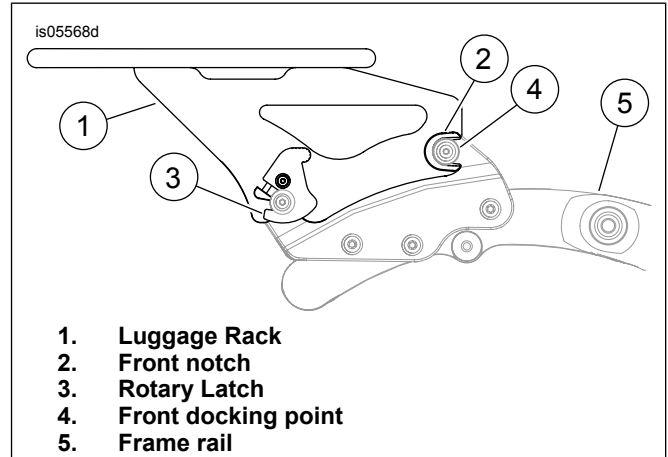


Figure 1. Luggage Rack

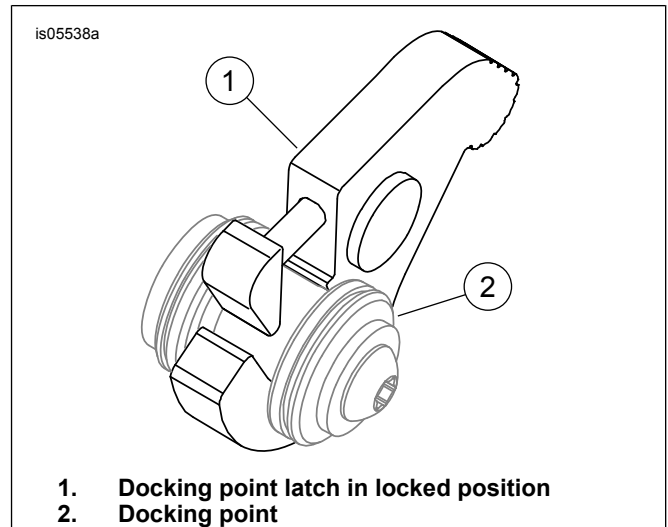


Figure 2. Latch and Docking Point

3. See Figure 2. Position the rotary latches (1) over the rear docking points (2). Check the rotary latches fit into the neck of the rear docking points as shown. This may require some gentle squeezing or spreading of the side plates.

#### NOTE

You must hear a **click** to verify that the rotary latch is completely in engaged.

4. Push the rear of the side plates downward and close the rotary latches by pressing the latch lever as far forward as it goes. You hear a **click** when the latch is in place. **If the latch does not easily close, do not force.** Recheck alignment.

#### NOTE

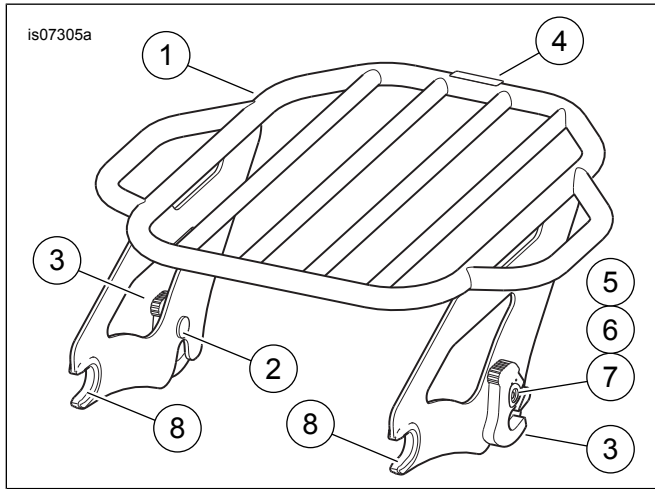
The docking points must be fully engaged. See Figure 1 and Figure 2 for correct engagement. If docking points are



not fully engaged the rack could shift position or come loose during operation.

- To remove the luggage rack, press the release button on each side. Push the rotary latch levers back. Carefully lift the rear of the side plates up. Pull the side plate notches out of the forward docking points.

## SERVICE PARTS



**Figure 3. Service Parts: H-D Detachables King Two-Up Luggage Rack**

**Table 1. Service Parts**

Item	Description (Quantity)	Part Number
1	Detachable two-up rack, chrome Detachable two-up rack, black	Not sold separately Not sold separately
2	Splined stud (2)	Not sold separately
3	Rotary latch assembly (2)	50300108
4	Label, for chrome rack Label, for black rack	Not sold separately Not sold separately
5	Wave washer (part of rotary latch assembly)	6828
6	Flat washer, stainless steel (part of rotary latch assembly)	6827
7	Button head screw (part of rotary latch assembly)	2957
8	Docking point bushing (2)	52682-09