



# INSTRUCTIONS

J06518

2018-08-21



## SHIFTER PEG KIT

### GENERAL

#### Kit Number

Shifter peg: 33600180, 33600214

Trim: 33600215, 33600216, 33600217, 33600218

#### Models

For model fitment information, see the P&A Retail Catalog or the Parts and Accessories section of [www.harley-davidson.com](http://www.harley-davidson.com) (English only).

#### ⚠ WARNING

Rider and passenger safety depend upon the correct installation of this kit. If the procedure is not within your capabilities or you do not have the correct tools, have a Harley-Davidson dealer perform the installation. Improper installation of this kit could result in death or serious injury. (00308b)

#### Kit Contents

See Figure 1 and Table 1.

### INSTALLATION

1. Remove previously installed shifter peg from motorcycle. Discard peg and screw.

Consumable: LOCTITE 243 MEDIUM STRENGTH THREADLOCKER AND SEALANT (BLUE) (99642-97)

2. See Figure 1. Apply threadlocker to the screw. Install to shift pedal (A) with screw (1). Tighten.

Torque: 14.91–20.33 N·m (11–15 ft·lbs)

### Replace Trim

1. Remove screw.
2. Replace trim.

Consumable: LOCTITE 243 MEDIUM STRENGTH THREADLOCKER AND SEALANT (BLUE) (99642-97)

3. Apply threadlocker and install screw. Tighten.

Torque: 14.91–20.33 N·m (11–15 ft·lbs)

### SERVICE PARTS

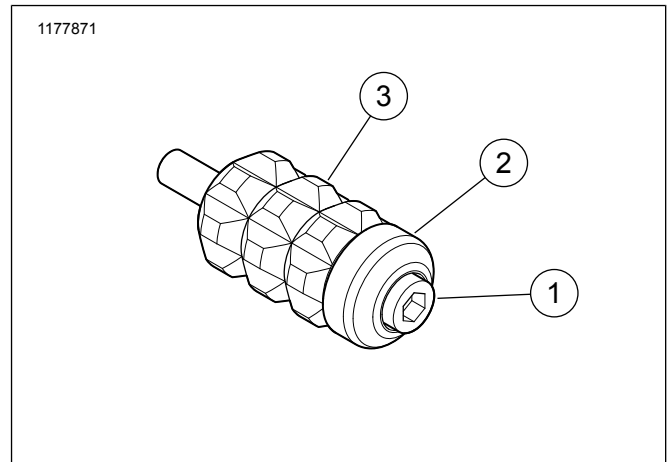


Figure 1. Service Parts: Shifter Peg Kit

Table 1. Service Parts Table

Item	Description (Quantity)	Part Number
1	Screw	10200653
2	Trim	Not Sold Separately
3	Body	Not Sold Separately
<b>Items mentioned in text, but not included in kit:</b>		
A	Shift pedal	