



INSTRUCTIONS

J06208

2016-09-16



SPECTRA GLO LED RIDER AND PASSENGER FOOTBOARD PAD KITS

GENERAL

Kit Numbers

50500492, 50500495

Models

For model fitment information, see the P&A retail catalog or the Parts and Accessories section of www.harley-davidson.com (English only).

Installation Requirements

Separate purchase of LED Controller Kit (part number 68000218), if not already installed.

Separate purchase of cable straps.

NOTE

The passenger Spectra Glo footboard pads may be used independently or with the rider footboard pads.

These Spectra Glo lighted footboards are designed and intended for display use only. Some local regulations prohibit using colored or indirect lighting during vehicle operation on public streets. Check local regulations before installation.

The Spectra Glo RGB kits can be connected together in a variety of ways. Some examples are daisy chain, Tee, and Y. An open end of a harness or light POD should always have a end cap installed.

⚠ WARNING

Rider and passenger safety depend upon the correct installation of this kit. If the procedure is not within your capabilities or you do not have the correct tools, have a Harley-Davidson dealer perform the installation. Improper installation of this kit could result in death or serious injury. (00308b)

NOTE

This instruction sheet refers to service manual information. A service manual for this year/model motorcycle is available from a Harley-Davidson dealer.

Electrical Overload

⚠ WARNING

When installing any electrical accessory, be certain not to exceed the maximum amperage rating of the fuse or circuit breaker protecting the affected circuit being modified. Exceeding the maximum amperage can lead to electrical failures, which could result in death or serious injury. (00310a)

NOTICE

It is possible to overload the vehicle's charging system by adding too many electrical accessories. If the combined electrical accessories operating at any one time consume more electrical current than the vehicle's charging system can produce, the electrical consumption can discharge the battery and cause damage to the vehicle's electrical system. (00211d)

Refer to SPECTRA GLO LOAD CALCULATION INFORMATION section later in this document for more information.

Kit Contents

Figure 1 and Table 1.

RIDER AND PASSENGER FOOTBOARD PAD REMOVAL

1. If Controller Kit (part number 68000218) is not installed, install now following the instructions in that kit.
2. See service manual. Remove the main fuse.
3. See service manual. Remove seat. Retain all seat mounting hardware.
4. Apply liquid dish-washing soap to the rubber isolator beads protruding through the bottom of the footboard. With the footboard in the "up" position, use a screwdriver to work the rubber beads out through the top of the footboard.
5. Repeat previous step on other side of vehicle.

RIDER FOOTBOARD PAD INSTALLATION

NOTE

The footboard pads are side-specific. The footboard pads install so that the Bar & Shield logo is toward the front of the vehicle.

1. Apply liquid dish-washing soap to the rubber isolator beads on the **new** footboard pad.
2. From the top, feed the footboard pad wiring harness through the mounting hole closest to the frame.
3. With the footboard in the "up" position, place the pad into position on the footboard. Hold it firmly in place.
4. From the underside of the footboard, use pliers to pull each rubber isolator bead into its mating hole in the footboard. Pull it until the thick collar protrudes through the floorboard.



5. Allow sufficient wire length to allow the footboards to pivot freely through their entire range. Use cable straps to tie the footboard pad harnesses to the back sides of the forward footboard mounting brackets.
6. Repeat previous installation steps on the other side of the vehicle.

7. **NOTE**
See Isheet J06266, Spectra Glo Controller and Remote FOB, for installing multiple RGB products.

Route the connectors under seat or left side cover. Connect footboard pad harnesses to the 3-way harness provided in this kit.

8. Use cable straps to secure the footboard pad wire harness to the frame tubes and vehicle harnesses along its entire length.
9. Connect 3-way harness to controller harness.

PASSENGER FOOTBOARD PAD INSTALLATION

NOTE
The footboard pads are side-specific. Install footboard pads with the wire harness toward the rear of the vehicle.

1. Apply liquid dish-washing soap to the rubber isolator beads on the **new** footboard pad.

2. With the footboard in the "up" position, place the pad into position on the footboard. Hold it firmly in place.
3. From the underside of the footboard, use pliers to pull each rubber isolator bead into its mating hole. Pull the beads until the thick collar protrudes through the floorboard.
4. Allow sufficient wire length to allow the footboards to pivot freely through their entire range. Use cable straps to tie the footboard pad harnesses to the footboard mounting brackets.
5. Repeat previous installation steps on the other side of the vehicle.

6. **NOTE**
See Isheet J06266, Spectra Glo Controller and Remote FOB, for installing multiple RGB products.

Route the connectors under seat or left side cover. Connect footboard pad harnesses to the 3-way harness provided in this kit.

7. Use cable straps to secure the footboard pad wire harness to the frame tubes and vehicle harnesses along its entire length.

RETURN TO SERVICE

1. See service manual. Install left side cover.
2. See service manual. Install seat. After installing seat, pull up on the seat to verify that it is secure.

SERVICE PARTS

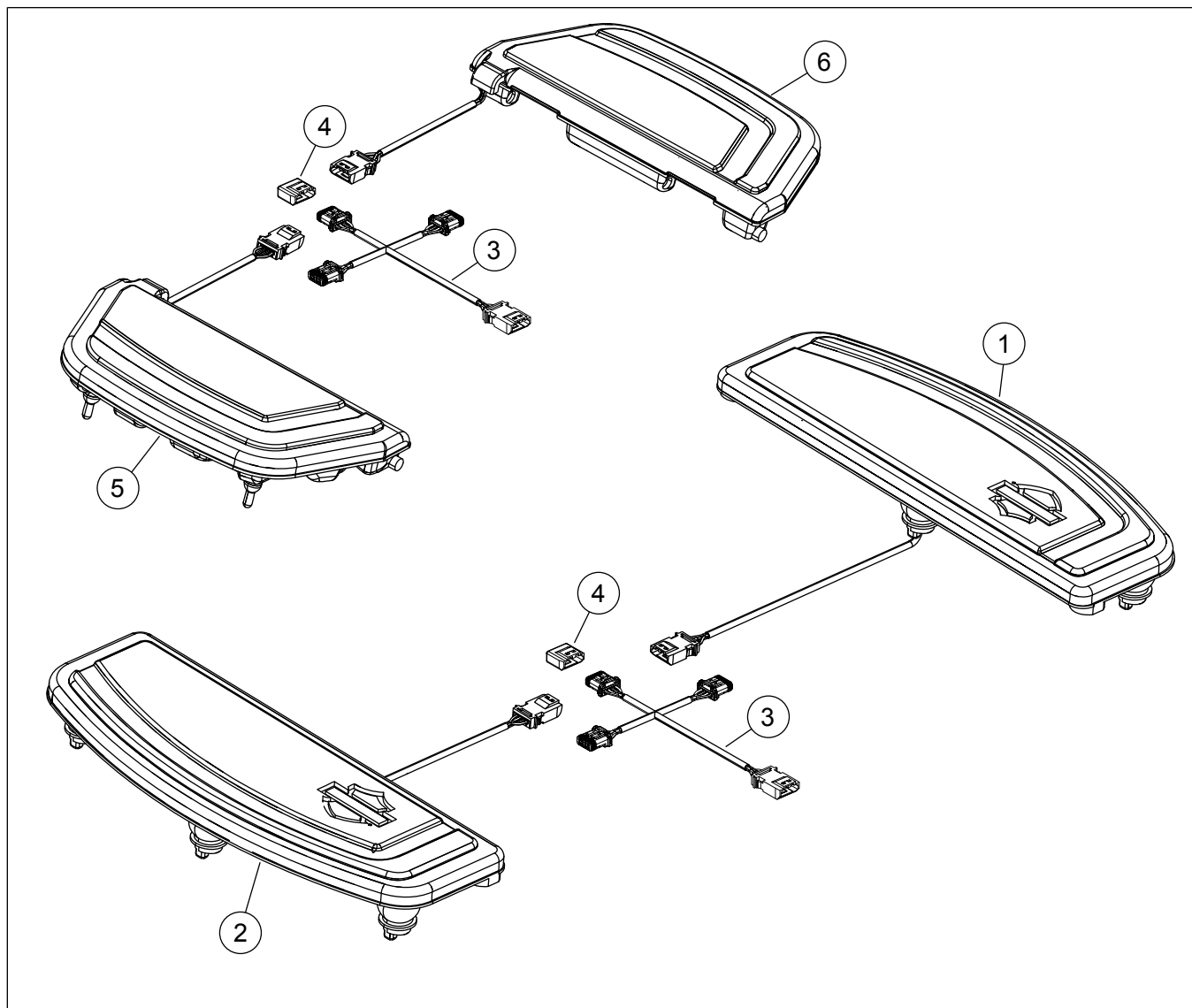


Figure 1. Service Parts, Spectra Glo Lighted Rider Footboard Pad Kits

Table 1. Service Parts Table

Kit	Item	Description (Quantity)	Part Number
50500492	1	Footboard pad, rider, left, LED, R/G/B	50500494
	2	Footboard pad, rider, right, LED, R/G/B	50500493
	3	3-way harness	69201594
	4	Connector cap	69201597
50500495	3	3-way harness	69201594
	4	Connector cap	69201597
	5	Footboard pad, passenger, right, LED, R/G/B	50500496
	6	Footboard pad, passenger, left, LED, R/G/B	50500497

SPECTRA GLO LOAD CALCULATION INFORMATION

The Spectra Glo system is limited to 3000 mA. Use the following table to determine the total current draw of the desired

configuration. Calculate the total current draw by multiplying the number of kit(s) (each line) by the provided current draw. Sum all totals. The value should be less than or equal to 3000 mA. The following example describes how to calculate total system load.

Table 2. Calculator Example of Spectra Glo Kits

Kit Name	Kit Part Number	Number of Kits	Current mA	Total
Rider Footboards	50500492	1	500	500
Passenger Footboards	50500495	1	350	350

Table 2. Calculator Example of Spectra Glo Kits

Kit Name	Kit Part Number	Number of Kits	Current mA	Total
Fairing Vent	68000194		275	
Speaker Lights (Stage I)	68000232		125	
Speaker Lights (Stage II Round)	68000231	1	125	125
Speaker Lights (Stage II Saddle Bag)	68000233		125	
Base Light Pods (6)	68000213	2	450	900
Expansion Light Pods (4)	68000214	1	300	300
* System Total must be 3000 mA or less.			System Total =	2175

Table 3. Spectra Glo RGB Accessory Calculator

Kit Name	Kit Part Number	Number of Kits	Current mA	Total
Rider Footboards	50500492		500	
Passenger Footboards	50500495		350	
Fairing Vent	68000194		275	
Speaker Lights (Stage I)	68000232		125	
Speaker Lights (Stage II Round)	68000231		125	
Speaker Lights (Stage II Saddle Bag)	68000233		125	
Base Light Pods (6)	68000213		450	
Expansion Light Pods (4)	68000214		300	
* System Total must be 3000 mA or less.			System Total =	

Table 4. Spectra Glo RGB Accessories

Accessories	Part Number
Remote	68000217
JAE Cap	69201597
Y Harness (3-way)	69201594
3-in Jumper Harness	69201525
8-in Jumper Harness	69201529
24-in Jumper Harness	69201530
24-in Jumper w/grommet	69201595
48-in Jumper Harness	69201625