



INSTRUCTIONS

J05292

2010-11-19



CURVED LICENSE PLATE MOUNTING KIT

GENERAL

Kit Numbers

67900056, 67900059

Models

For model fitment information, see the P&A Retail Catalog or the Parts and Accessories section of www.harley-davidson.com (English only).

▲ WARNING

Rider and passenger safety depend upon the correct installation of this kit. If the procedure is not within your capabilities or you do not have the correct tools, have a Harley-Davidson dealer perform the installation. Improper installation of this kit could result in death or serious injury. (00308b)

Kit Contents

There are no Service Parts available with this kit.

Table 1. Kit Contents

Quantity	Item	Part Number
1	Reflector assembly	Not Sold Separately
2	Mounting pad, foam	Not Sold Separately
4	Flat head screw, chrome	Not Sold Separately
1	License plate cover	Not Sold Separately
1	License plate mount	Not Sold Separately

LICENSE PLATE INSTALLATION

1. See Figure 1. Remove and retain the fasteners securing the light bar to the fender. The fasteners are located under the fender.
2. See Figure 2. Remove and retain the two fasteners (1) securing the stock license plate holder (2) to the light bar.
3. Remove the license plate from the license plate holder.

NOTE

See Figure 3. The slotted edge (2) of the license plate frame must face upward to fit around the mounting flange (1) of the backplate.

1. Place the license plate into the license plate frame.
2. Place the license plate frame over the backplate and secure the frame to the backplate with the fasteners from the kit.
3. Secure the license plate assembly to the light bar with stock fasteners. Tighten fasteners to 6.8–9 N·m (60–80 in-lbs).

4. See Figure 4. Place the light bar on the rear fender and install stock fasteners. Tighten fasteners to 9.5–16.3 N·m (84–144 in-lbs)

NOTE

Ambient temperature should be at least 60 °F (16 °C) for proper adhesion of the bumper pad to the rear fender.

1. Place the 1.3 mm (1/2 in) bumper pads between the installed back plate and the rear fender.
 - a. Clean the rear fender with a mixture of 50 to 70% isopropyl alcohol and 30 to 50% distilled water. Allow to dry thoroughly.
 - b. Peel the backing from the bumper pad and apply to rear fender. Stack the pads one on top of the other to achieve a tight fit.

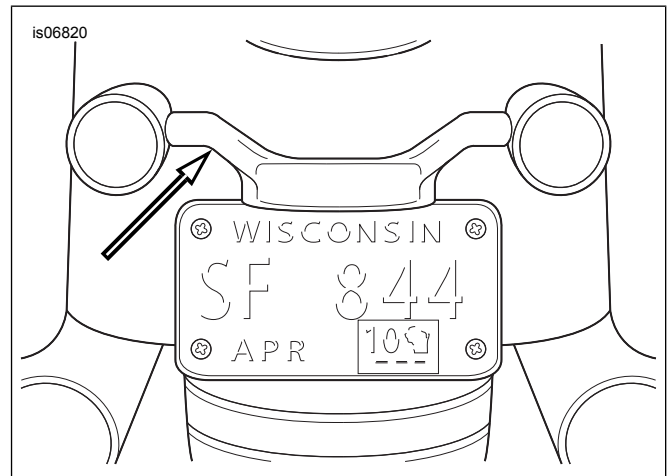


Figure 1. Light Bar

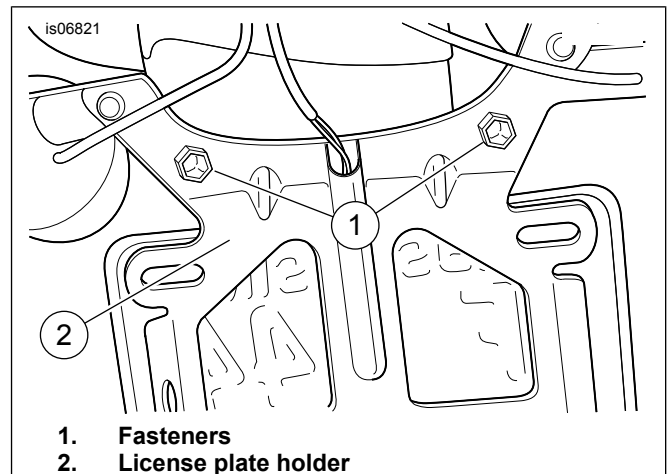


Figure 2. License Plate Holder

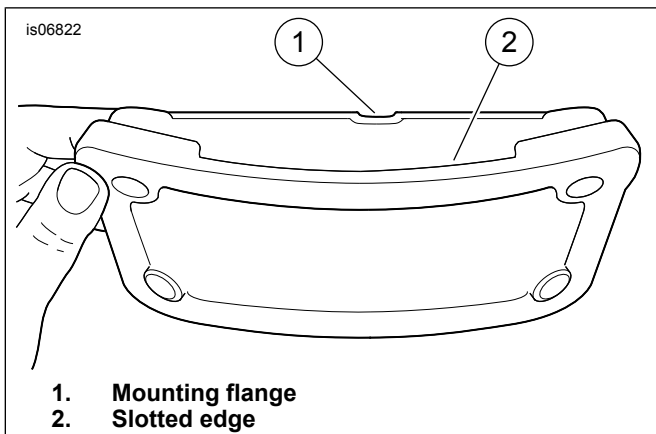


Figure 3. License Plate Frame

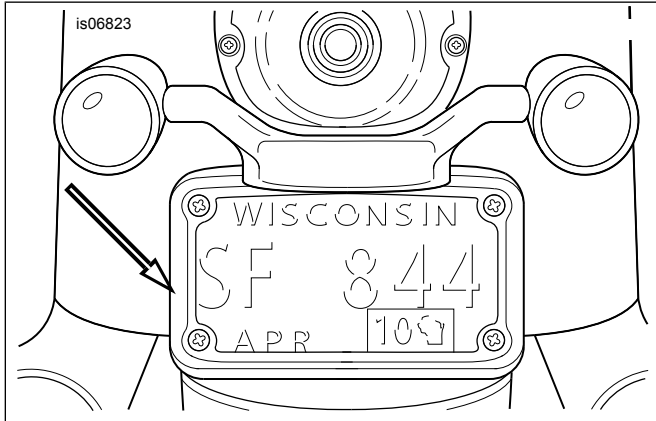


Figure 4. License Plate Assembly

- The adhesive bond will increase to maximum strength after about 72 hours at normal room temperature.

REFLECTOR INSTALLATION

▲ WARNING

Federal Motor Vehicle Safety Standard (FMVSS) 108 requires motorcycles to be equipped with rear and side reflectors. Be sure rear and side reflectors are properly mounted. Poor visibility of rider to other motorists can result in death or serious injury. (00336b)

NOTE

Ambient temperature should be **at least** 60 °F (16 °C) for proper adhesion of the reflector assembly (12) to the rear fender.

1. Clean the rear fender area beneath the license plate with a mixture of 50 to 70% isopropyl alcohol and 30 to 50% distilled water. Allow to dry thoroughly.
2. Before removing the adhesive backing of the reflector assembly, test fit the reflector to the fender, centered from left to right, so the reflector surface is parallel to the tail light. Mark the final location.
3. Peel the liner from the adhesive backing of the reflector assembly. Carefully position the reflector to the rear fender, and press firmly into place. Hold the reflector in position with steady pressure for one minute to permit proper adhesion.

NOTE

- Allow **AT LEAST 24 hours** after applying the reflector before exposing the area to vigorous washing, strong water spray or extreme weather.