



INSTRUCTIONS

J05671

2013-04-23



SADDLEBAG FILLER STRIP KITS

GENERAL

Kit Number

90200872XXX, 90200873, 90200874XXX, 90200875, 90201112, 90201113

Models

For model fitment information, see the P&A Retail Catalog or the Parts and Accessories section of www.harley-davidson.com (English only).

Installation Requirements

⚠ WARNING

Rider and passenger safety depend upon the correct installation of this kit. If the procedure is not within your capabilities or you do not have the correct tools, have a Harley-Davidson dealer perform the installation. Improper installation of this kit could result in death or serious injury. (00308b)

Kit Contents

This kit contains a left and right filler strip, two screws (part no. 1001) and two washers (part no. 6703).

INSTALLATION

Solid Filler Strips

1. Remove the saddlebags following the instructions in the service manual and set aside.
2. See Figure 1. Remove bottom saddlebag support mounting screw (4) and nut (5). Save hardware for installation.
3. Position the filler strip inside the window of the saddlebag support bracket. Align the mounting holes.
4. Secure the filler strip with screws (2) and washers (3). Tighten screws finger tight.
5. Install the filler strip to the support bracket with support mounting screw (4) and nut (5). Install screw from front to rear. Do not tighten.
6. Adjust filler strip orientation as desired. Tighten mounting hardware.
 - a. Tighten button head screws (2) to 6.8–10.8 N·m (5–8 ft-lbs).
 - b. Pan head screws (4) to 20.3–27.1 N·m (15–20 ft-lbs).

7. Install saddlebags per instructions found in the service manual.
8. Repeat procedure for opposite side.

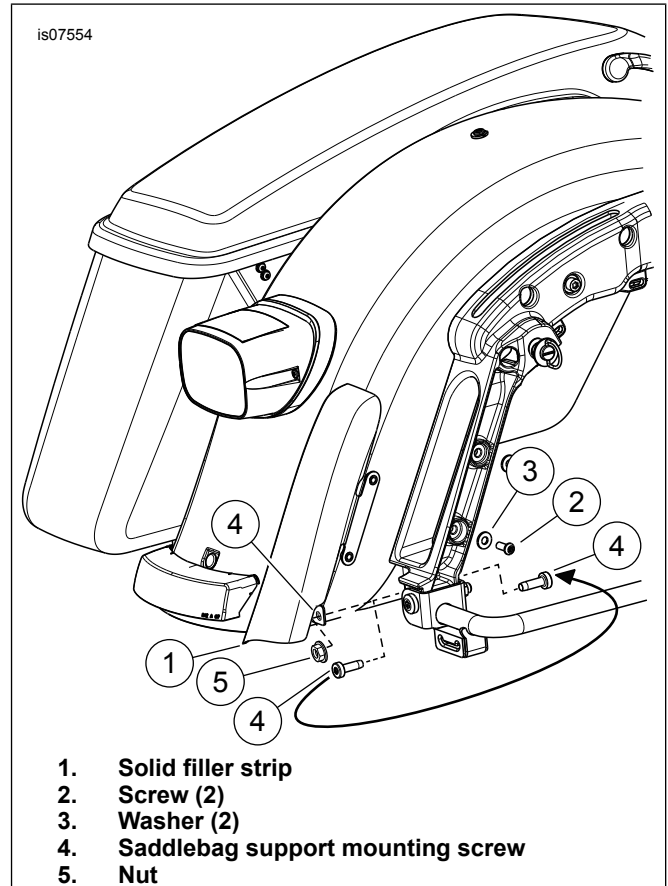


Figure 1. Solid Filler Strip Installation

Slotted Filler Strips

1. Remove the saddlebags following the instructions in the service manual and set aside.

NOTE

This installation requires the mounting screw and nut included in the Saddlebag Guard Rail Kit (Kit 90200561).

2. See Figure 2. Remove bottom saddlebag support mounting screw (5) and nut (6). Discard hardware.
3. Remove the front interconnect (7) and middle interconnect (8) from the rails. Keep the rails roughly parallel to one another.



4. See the Saddlebag Guard Rail kit instruction sheet. Feed the rail assembly through the saddlebag support from the front to the rear. Rotate the saddlebag rail around until fit the front end of the rail aligns with the saddlebag rail.
5. Install filler strip onto guard rail, unfinished side first.
6. Position the filler strip inside the window of the saddlebag support bracket. Align the mounting holes.
7. Secure the filler strip with screws (2) and washers (3). Tighten screws finger tight.
8. See the saddlebag rail kit instruction sheet. Follow all remaining Saddlebag Guard Rail Kit installation instructions, including using the kit hardware that replaces fastener (5) and nut (6). Do not tighten filler strip mounting hardware.
9. Install front and middle guard rail interconnects.
 - a. Tighten front interconnect set screw to 4.5 N·m (40 **in-lbs**).
 - b. Tighten middle interconnect set screw to 7.3 N·m (65 **in-lbs**).
10. Adjust filler strip orientation as desired. Tighten mounting hardware.
 - a. Tighten button head screws (3) to 6.8–10.8 N·m (5–8 **ft-lbs**).
 - b. Pan head screws (5) to 20.3–27.1 N·m (15–20 **ft-lbs**).
11. Install saddlebags per instructions found in the owner's manual.
12. Repeat procedure for opposite side.

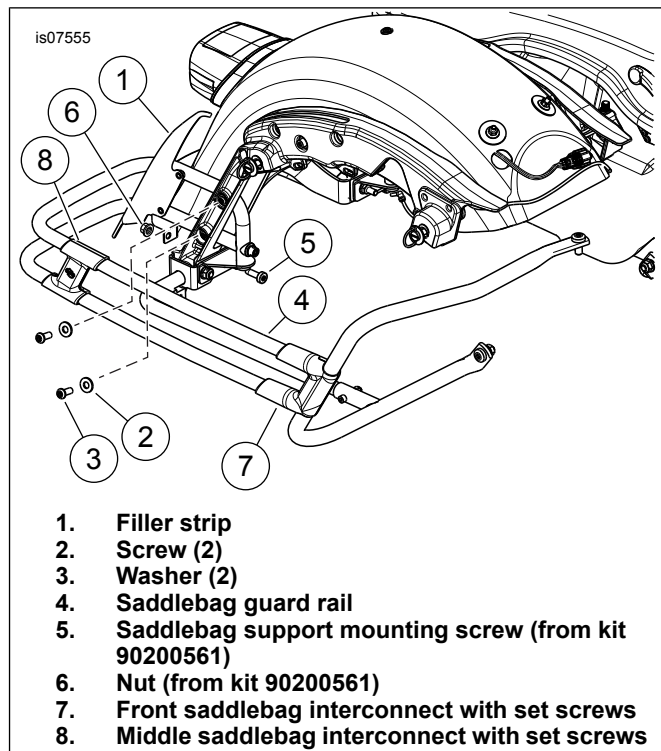


Figure 2. Slotted Filler Strip Installation