



INSTRUCTIONS

J06615

2018-01-16



BRAWLER STYLE SEAT KITS

GENERAL

Kit Number

52000299, 52000301

Models

For model fitment information, see the P&A Retail Catalog or the Parts and Accessories section of www.harley-davidson.com (English only).

Installation Requirements

⚠ WARNING

Rider and passenger safety depend upon the correct installation of this kit. If the procedure is not within your capabilities or you do not have the correct tools, have a Harley-Davidson dealer perform the installation. Improper installation of this kit could result in death or serious injury. (00308b)

Kit Contents

Refer to Figure 5 and Table 1.

INSTALLATION

NOTE

When performing the following installation procedures, avoid scratching painted surfaces (fender, tank, etc.) with tools or metal seat tabs.

1. Remove seat and seat studs, if equipped. See service manual.
2. Remove rear fender protective tape, if equipped.
3. Refer to Figure 1 and Figure 2. Install retention nut (1) and washer (2) in the appropriate fender hole if not already installed.
 - a. A cable strap may be used as an installation aid to install the retention nut and washer. Place the retention nut (1) over the cable strap (3) so the wide end of the nut rests on the eye of the cable strap. Thread the cable strap up under the fender and through the appropriate fender hole. Pull up on the cable strap to hold the nut snug against the underside of the fender.
 - b. With the rib on the retention nut seated into the notch in the appropriate fender hole, slide the retention washer (2) into place from the rear. This will lock the retention nut in place. Remove the cable strap.

- c. Figure 5 Install seat post (5) on washer (6) and retention washer (7) over retention nut (9). Tighten. Torque: 2.25–3.38 N·m (20–30 in-lbs)

4. Figure 5 Mark and apply protective tape to fender.
 - a. Mark the bottom of isolators (3) that contact the fender with chalk.
 - b. Set the seat in place with front and rear mounting locations on the seat aligned with the mounting locations on the motorcycle.
 - c. Press down on the seat to transfer the marks from the isolators to the fender.
 - d. Place protective tape (8) on the rear fender over the marks transferred to the fender.
5. Install Seat.

NOTE

This seat is for solo use only. Do not attempt to carry a passenger with this custom solo seat installed.

- a. Refer to Figure 3 and Figure 4. Engage seat tongue (B) in seat mounting bracket (A).
 - b. Align seat grommet (2) on seat post (5) and push down on seat until you hear a click.
6. After installing seat, pull up on the seat to verify it is secure.
 7. Models equipped with passenger footpegs, remove footpegs.

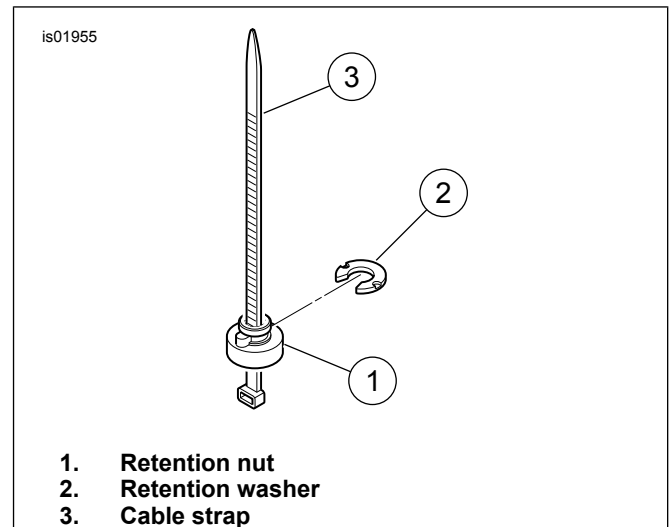


Figure 1. Installation Tool

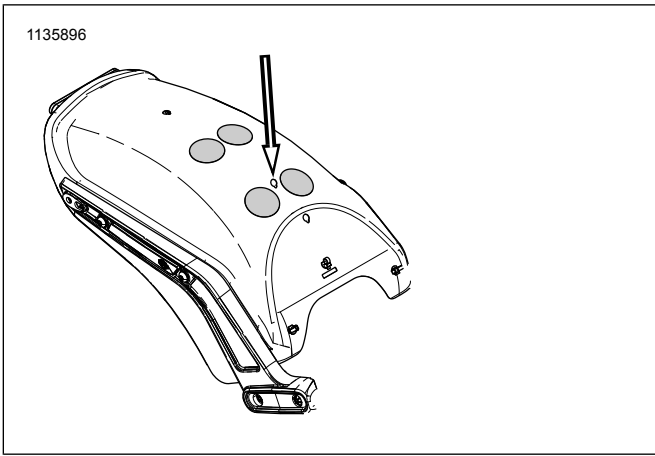


Figure 2. Fitment Location

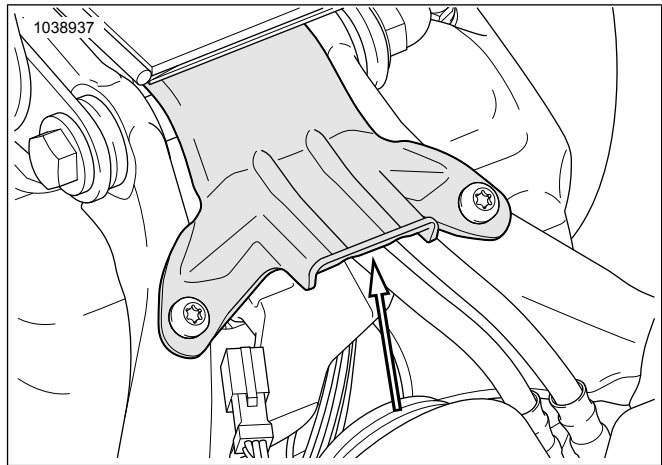


Figure 4. Seat Mounting Bracket

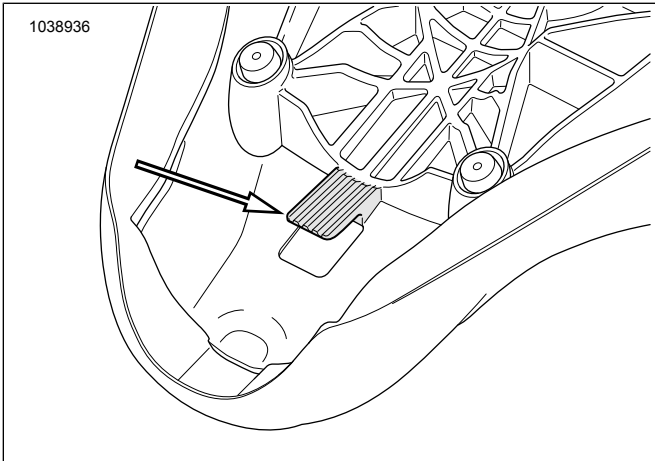


Figure 3. Seat Tongue (typical)

SERVICE PARTS

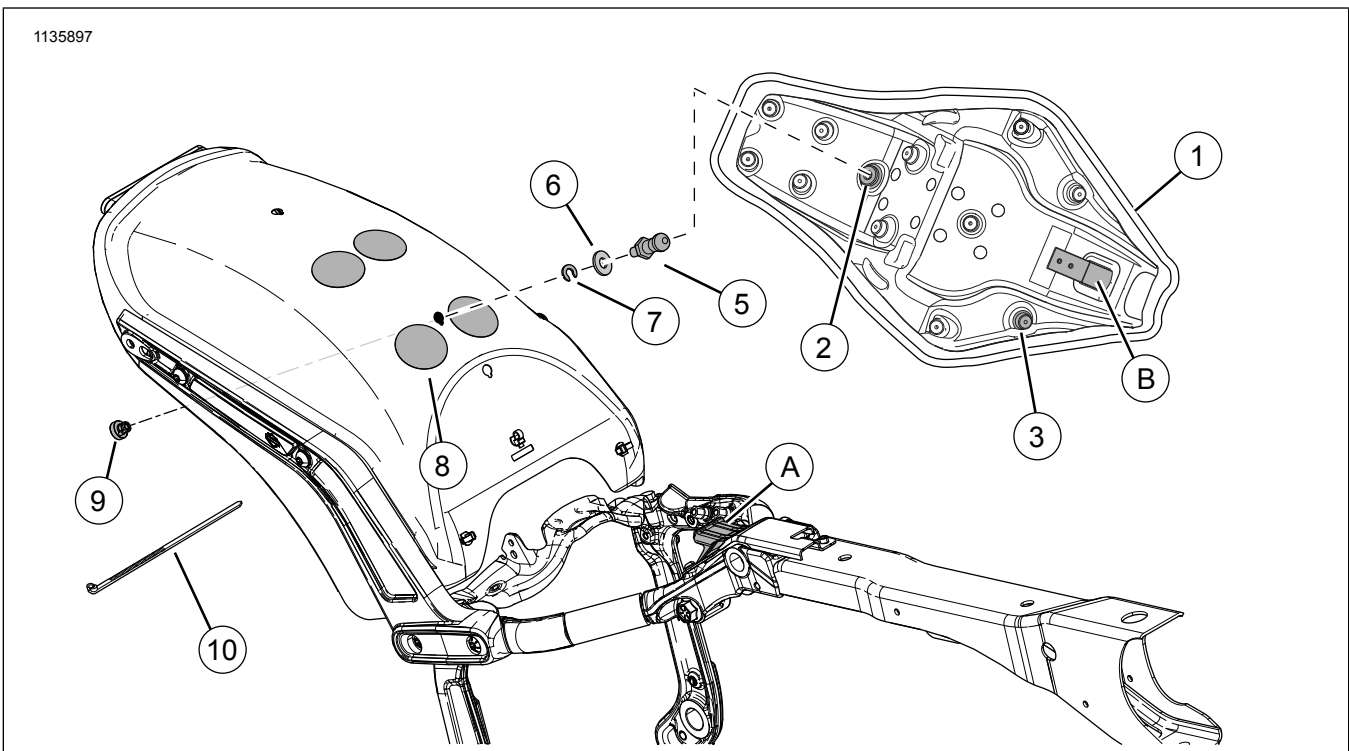


Figure 5. Service Parts: Softtail Seat Kits

Table 1. Service Parts Table

| Kit | Item | Description (Quantity) | Part Number |
|------------------------|---------------------------------------|---|---------------------|
| 52000299, 52000301 | 1 | Seat assembly | Not sold separately |
| | | Seat assembly | Not sold separately |
| | 2 | Grommet | 11651 |
| | 3 | Seat isolator (11) | 11100174 |
| | 4 | Badge | Not sold separately |
| | 5 | Post | 52100051 |
| | 6 | Washer | 10300163 |
| | 7 | Retention washer (part of seat nut kit) | Not sold separately |
| | 8 | Protective tape (4) | 11100176 |
| | 9 | Retention nut (part of seat nut kit) | Not sold separately |
| | Seat nut kit (includes items 6 and 9) | 59768-97 | |
| | 10 | Cable strap | 10039 |
| Items mention in text: | | | |
| | A | Seat mounting bracket | |
| | B | Seat tongue | |