



INSTRUCTIONS

J02464

2007-11-01



FXD CHROME FORWARD FOOT CONTROL KIT

GENERAL

Kit Number

49080-03A

Models

For model fitment information, please see the P&A Retail Catalog or the Parts and Accessories section of www.harley-davidson.com (English only).

NOTE

See the Figure 1 and Figure 2. The mounting brackets and clevis (7, 18 and 21) may also be purchased separately to upgrade the standard FXDWG to this chrome kit.

Additional Parts Required

Proper installation of this kit requires the use of LOCTITE® 243 Threadlocker and Sealant - Blue (99642-97) and LOCTITE Anti-Seize Lubricant (98960-97).

▲ WARNING

Rider and passenger safety depend upon the correct installation of this kit. If the procedure is not within your capabilities or you do not have the correct tools, have a Harley-Davidson dealer perform the installation. Improper installation of this kit could result in death or serious injury. (00308b)

Kit Contents

See the Service Parts section for kit contents.

INSTALLATION

Stock Shifter Assembly

1. See Figure 1. Remove the left side rider footpeg assembly. Save the footpeg and fasteners for installation. Discard the remaining hardware.
2. Push hole plugs (8) into the screw holes on the frame where the stock footpeg assembly was mounted.
3. Loosen the retaining screw fastening the stock shift lever to the shifter shaft. Save the shift lever assembly for installation.
4. Remove and discard the linkage connecting the primary shift lever to the transmission shift lever.

NOTE

For the following step, note the difference in bracket (13) orientation on 1993-1998 Evolution and 1999-2000

Twin-Cam 88 models, and bracket (10) for 2001 and later models.

5. Fasten the primary shift lever retainer bracket (10 or 13) for your vehicle to the primary shift lever with a screw (14) and nut (3). Do not tighten the fasteners at this time.
6. Loosen the left rear crankcase bolt, located at the bottom of the rear cylinder.
7. Slide the slotted end of the primary shift lever retainer bracket (10 or 13) onto the bolt, between the washer and crankcase. Tighten the crankcase bolt to 20–23 N·m (15–17 ft-lbs).
8. Fasten the shifter shaft cover (9) to the shifter shaft, using a set screw (12).
9. Tighten the retainer bracket screw installed in Step 5.
10. Install a spring washer (6) on the shifter lever (4) shaft. Coat the shaft with Loctite Anti-Seize Lubricant and slide the shaft into the shifter bracket.
11. Install the shifter bracket (7) with Torx® screws (11). Tighten the screws to 41–47 N·m (30–35 ft-lbs).
12. Apply Loctite 243 to the shifter rod (1) short stud. Fasten the short stud to the transmission shift lever. Tighten the short stud to 8–10 N·m (70–90 in-lbs).
13. Apply Loctite 243 to the shifter rod (1) long stud. Fasten the long stud to the shifter lever (4) using a washer (2) and acorn nut (5). Tighten the nut to 8–10 N·m (70–90 in-lbs).
14. Fasten the stock shift lever to the splined shaft on the new shifter lever assembly (4, 7). Tighten the shift lever retaining screw to 25–29 N·m (18–22 ft-lbs).
15. Fasten the stock footpeg to the shifter bracket (7) using the stock fasteners from Step 1.

Rear Brake Assembly

1. See Figure 2. Remove the right side rider footpeg. Save the footpeg and fasteners for installation.
2. Loosen the brake rod jamnut (26) at the rear brake master cylinder.

NOTE

The master cylinder piston has flats for a wrench. Turn the flats on the piston to unscrew the brake rod from the master cylinder.

3. Unscrew the master cylinder piston from the stock brake rod.
4. Remove and discard the stock brake rod and brake pedal assembly.
5. Push hole plugs (8) into the screw holes on the frame where the stock brake pedal assembly was mounted.
6. Fasten the brake pedal bracket (18) to the frame with Torx screws (11). Tighten the screws to 41–47 N·m (30–35 ft-lbs).
7. Install the jamnut (26) all the way onto the new brake rod (25).
8. Fasten the brake rod to the master cylinder piston. Do not adjust the brake rod length at this time.
9. Connect the brake rod (25) to the new brake pedal (16) using the clevis pin (24), washer (22) and cotter pin (20). Bend the legs of the cotter pin around the clevis pin shaft.
10. Coat the brake pedal pivot shaft (19) with Anti-Seize Lubricant.
11. Fasten the brake pedal pivot shaft (19), brake pedal (16) and footpeg mount clevis (21) to the brake pedal bracket (18) using the long Torx screw (23). Tighten the screw to 44–47 N·m (32–35 ft-lbs).
12. With a wrench on the master cylinder piston flats, turn the piston onto the brake rod until the brake pedal is elevated to an effective rider angle, and using at least half the threads available on the brake rod. Tighten the jamnut against the master cylinder piston.
13. Fasten the brake pedal pad (15) to the brake pedal (16) using the locknut (17). Tighten the nut to 6–9 N·m (50–80 in-lbs).
14. Fasten the stock footpeg to the footpeg mount clevis (21) using the stock fasteners from Step 1.

SERVICE PARTS

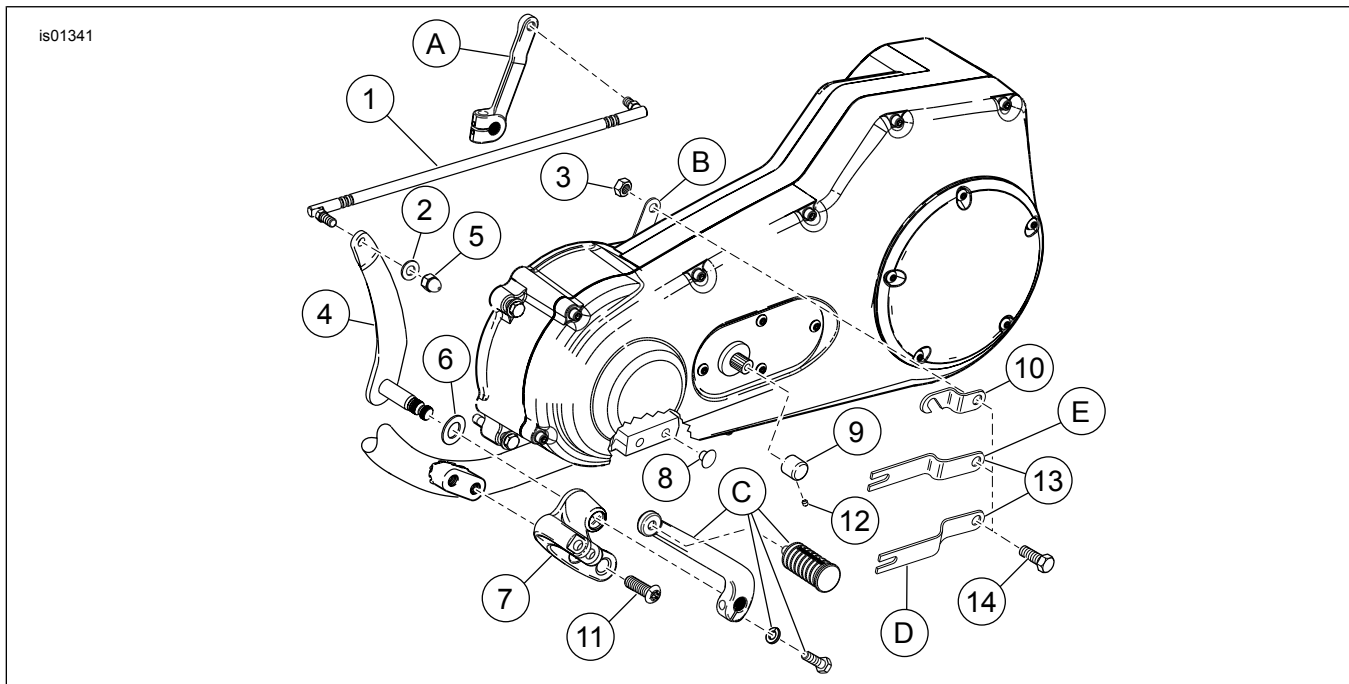


Figure 1. Service Parts for FXD Forward Foot Controls (Shifter Side Parts)

Table 1. Service Parts Table

Item	Description (Quantity)	Part Number
1	Shifter rod	11739B
2	Washer, 5/16 x 11/16 x 1/16	6702
3	Locknut	7710W
4	Shifter lever	33789-03
5	Acorn nut	7736
6	Spring washer	34625-90
7	Shifter bracket	33695-03
8	Hole plug (4)	740
9	Shifter shaft cover	34640-93
10	Primary shift lever retainer bracket (2001 and later models)	34639-01
11	Torx® screw, 3/8-16 x 1 (4)	4059
12	Shaft cover set screw	3231B

Table 1. Service Parts Table

Item	Description (Quantity)	Part Number
13	Primary shift lever retainer bracket (1993-2000 models; see note below)	34639-93
14	Hex head screw, 5/16-18 x 5/8	2882W
Items mentioned in text, but not included in kit:		
A	Transmission shift lever	
B	Primary shift lever	
C	Shifter lever	
Notes:		
D	Shown positioned for models 1993-1998 Evolution engines.	
E	Shown positioned for models 1999-2000 Twin Cam 88 engines.	

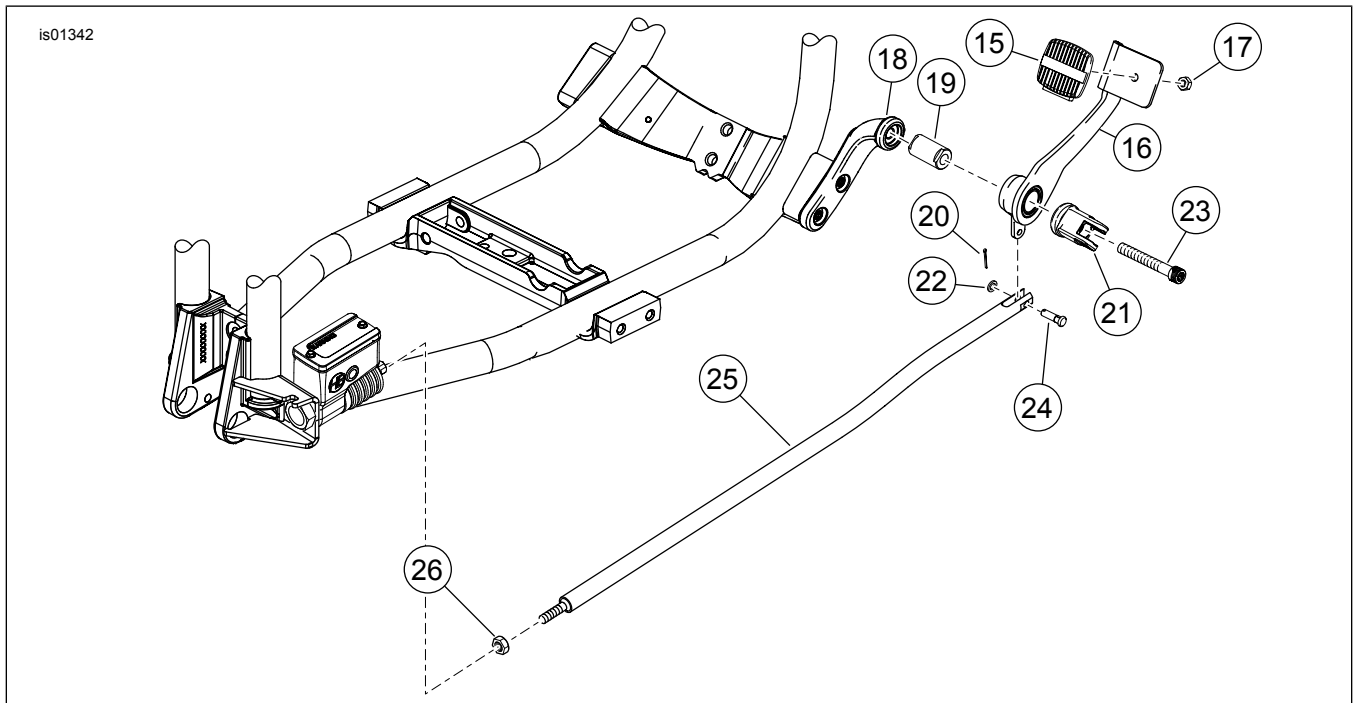


Figure 2. Service Parts for FXD Forward Foot Controls (Brake Side Parts)

Table 2. Service Parts Table

Item	Description (Quantity)	Part Number
15	Brake pedal pad	42532-82
16	Brake pedal	42542-03
17	Locknut, 1/4-20	7742
18	Brake pedal bracket	33697-03
19	Brake pedal pivot shaft	42665-03
20	Cotter pin	515
21	Footpeg mount clevis	42664-03
22	Washer, 1/4 x 7/16 x 1/16	6099
23	Torx® screw, 3/8-16 x 2-3/4	4339
24	Clevis pin	42460-80B
25	Brake rod	41955-03A
26	Jamnut, 5/16-24	7744