



INSTRUCTIONS

J04730

2024-01-24



FL ADJUSTABLE RIDER BACKREST MOUNTING HARDWARE KIT

Table 1. General Information

Kits	Suggested Tools	Skill Level ⁽¹⁾
52596-09A	Safety Glasses, Torque Wrench	

(1) Tightening to torque value or other moderate tools and techniques required

KIT CONTENTS

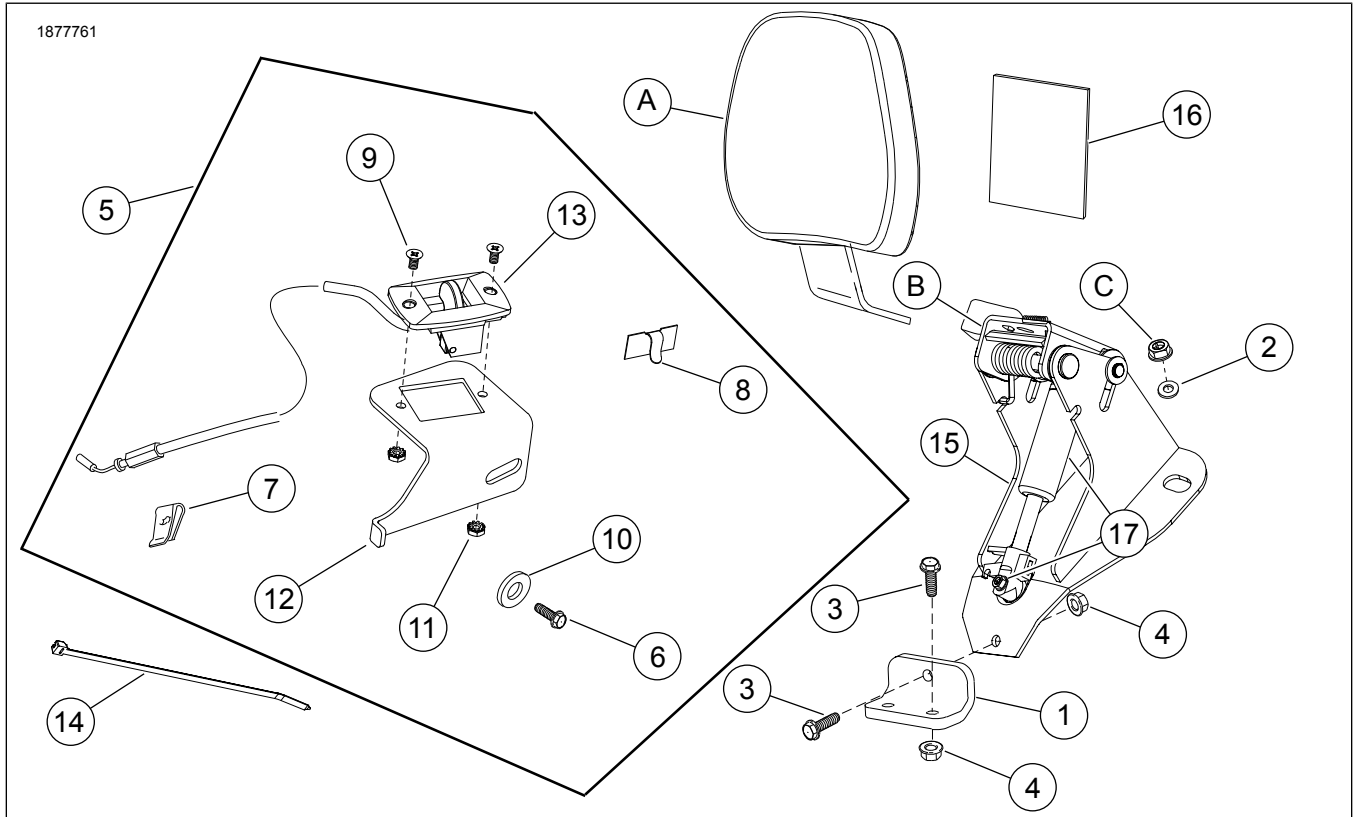


Figure 1. Kit Contents: FL Adjustable Rider Backrest Mounting Hardware Kit

Table 2. Kit Contents: FL Adjustable Rider Backrest Mounting Hardware Kit

<input checked="" type="checkbox"/>	Item	Qty	Description	Part No.	Notes
<input type="checkbox"/>	1	1	Mounting bracket	52590-09	
<input type="checkbox"/>	2	2	Washer	6223	
<input type="checkbox"/>	3	3	screw	3574	8–11 N·m (6–8 ft-lbs)
<input type="checkbox"/>	4	3	Nut, locking flange	7716	
<input type="checkbox"/>	5	1	Actuation handle kit (includes items 6 through 13)	52365-09	
<input type="checkbox"/>	6	1	Screw	3574	5.1–6.2 N·m (45.1–54.9 in-lbs)
<input type="checkbox"/>	7	1	Clip nut	8108	
<input type="checkbox"/>	8	1	Wire guide	10102	
<input type="checkbox"/>	9	2	Screw	2933	
<input type="checkbox"/>	10	1	Washer	6036	
<input type="checkbox"/>	11	2	Lock nut	7838	
<input type="checkbox"/>	12	1	Actuator bracket handle	Not sold separately	
<input type="checkbox"/>	13	1	Actuator handle with cable	Not sold separately	
<input type="checkbox"/>	14	1	Cable strap	Not sold separately	
<input type="checkbox"/>	15	1	Backrest mounting base	52482-01A	
<input type="checkbox"/>	16	1	Seat protector, adhesive backed, 3 1/2 x 3 in	52300017	
<input type="checkbox"/>	17	1	Gas spring kit	52300681	
Items mentioned in text but not included in kit:					
<input checked="" type="checkbox"/>	A	1	Backrest pad	Sold separately	
<input checked="" type="checkbox"/>	B	1	Pivot bracket repair kit (includes pivot bracket, lever, spring and hardware)	52342-09	
<input checked="" type="checkbox"/>	C	1	Stock nut		7–11 N·m (5–8 ft-lbs)

NOTE

Verify all contents are present in the kit before installing or removing items from vehicle.

GENERAL

Models

For model fitment information, please see the P&A Retail Catalog or the Parts and Accessories section of www.harley-davidson.com (English only).

Ensure you are using the most current version of the instruction sheet which is available at: www.harley-davidson.com/isheets

Contact Harley-Davidson Customer Support Center at 1-800-258-2464 (U.S. only) or 1-414-343-4056.

Installation Requirements

⚠ WARNING

Rider and passenger safety depend upon the correct installation of this kit. If the procedure is not within your capabilities or you do not have the correct tools, have a Harley-Davidson dealer perform the installation. Improper installation of this kit could result in death or serious injury. (00308b)

REMOVE

1. Remove seat and retain hardware. See owner's manual.

2. Remove left side cover. See owner's manual.
 - a. Remove Body Control Module (BCM) and BCM caddy. See owner's manual.
3. See Figure 2. Remove nuts (1). Leave washers (3) and studs (2) in place.
 - a. **MY23.5-later CVO and MY24-later FLHX, FLTRX:**
Skip install step 3.

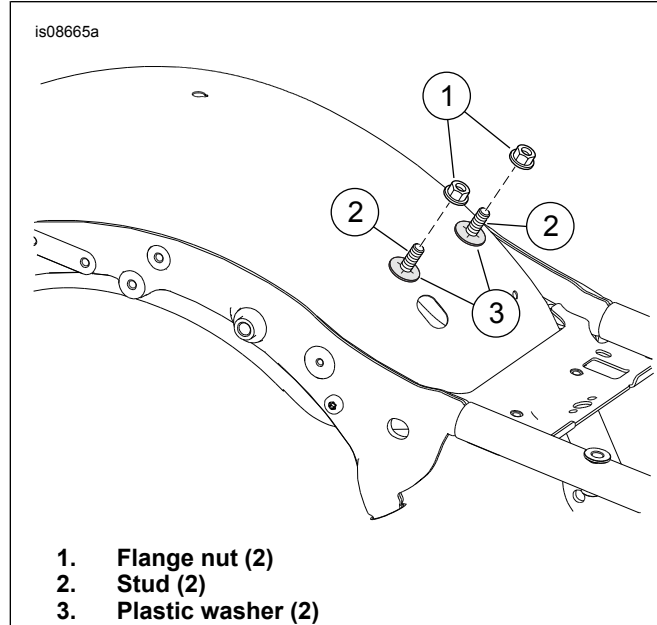


Figure 2. Mounting Hardware

4. See Figure 3. Remove spark plug wire clip (1).

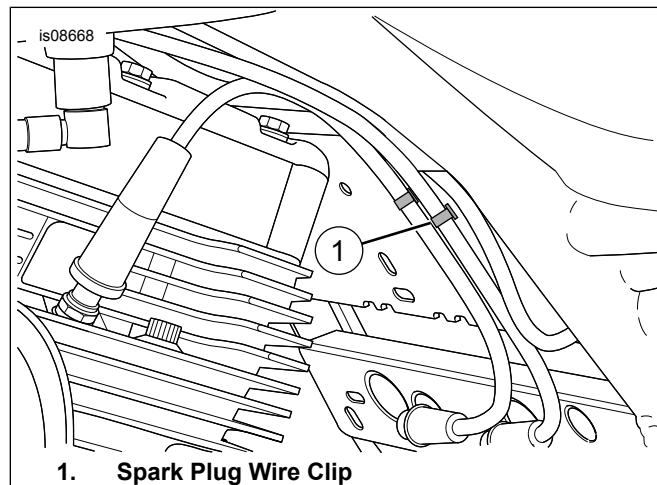


Figure 3. Spark Plug Wire Clip

5. **Models with Mid-Frame Air Deflectors:** Remove upper left side mounting hardware.

INSTALL

1. See Figure 4. Install clip nut (1) in mounting hole (2).
2. Align clip with alignment hole (3).

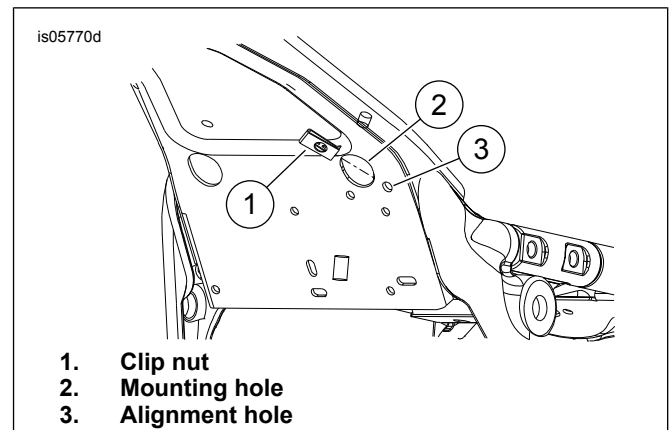


Figure 4. Install Clip Nut

3. See Figure 5. Attach mounting bracket (2) to mounting base (3).
4. Install screw (1) and nut (4) as shown. Leave fasteners loose.

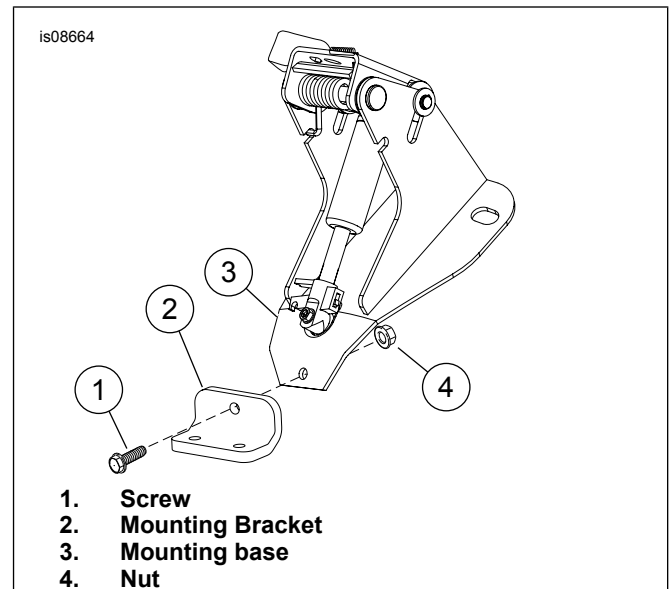
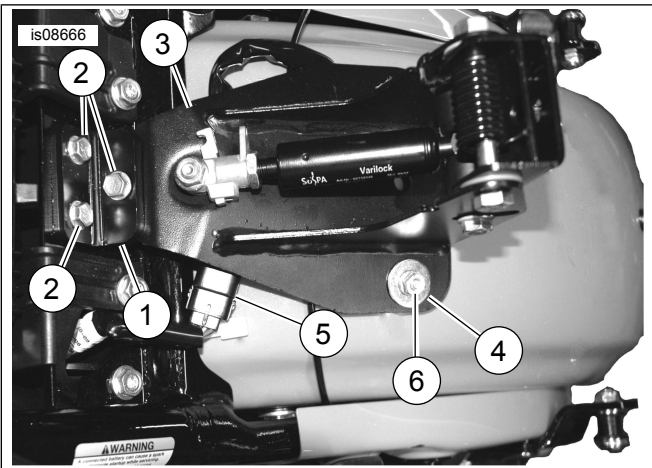


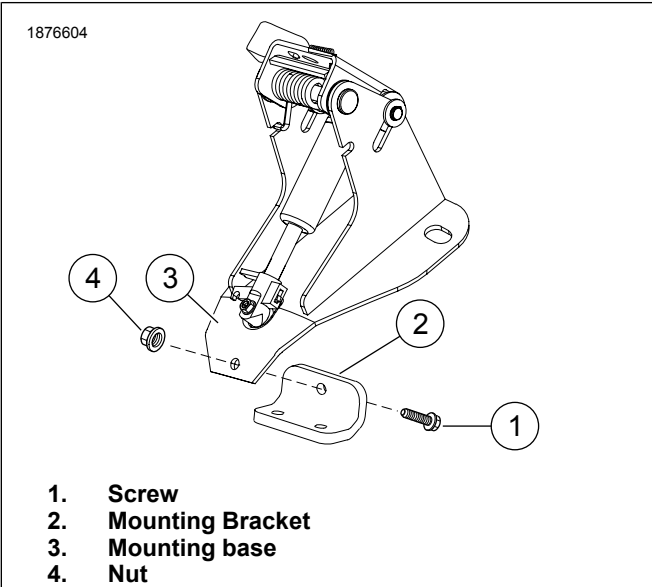
Figure 5. Install bracket

5. Figure 2 Set mounting base over studs (2) and plastic washers (3).
6. Figure 6 Set mounting bracket (1) in place and install screws and nuts (2) as shown. Leave fasteners loose. Verify electrical connector moves freely.
 - a. See Figure 6 and Figure 7. If electrical connector (5) makes contact with mounting base (3), move mounting bracket (1) behind mounting base (3).
 - b. Install screw (1) and nut (4).
7. Install washers (4) and nuts (6). Tighten.
Torque: 7–11 N·m (60–96 in-lbs)
8. Secure screws and nuts (2). Tighten.
Torque: 8–11 N·m (6–8 ft-lbs)



1. Mounting bracket
2. Bolt and nut (2)
3. Mounting base
4. Washer (2)
5. Electrical connector
6. Nut (removed earlier)

Figure 6. Install Backrest Bracket



1. Screw
2. Mounting Bracket
3. Mounting base
4. Nut

Figure 7. Alternate Install Option for Mounting Bracket

9. See Figure 1. Install actuator handle (13) with cable to actuator handle bracket (12) so the cable is pointing down when installed.

10. Secure with screws (9) and nuts (11).

11. **Models without Mid-Frame Air Deflector:** See Figure 8.

a. Slide the flat side of the actuator assembly (1) behind the spark plug wires.

b. Verify the hook/bent tab on the bracket engages with the cross-member plate.

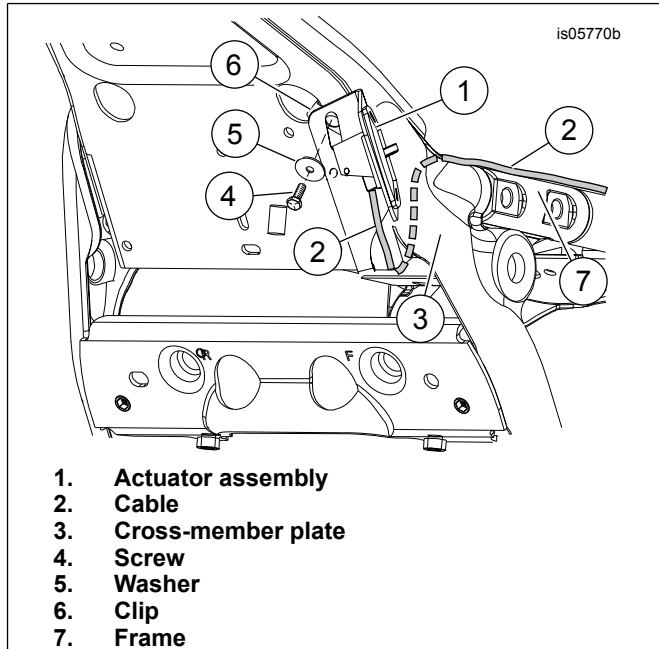
c. Secure with screw (4) and washer (5). Tighten.
Torque: 5.1–6.2 N·m (45–55 in-lbs) screw

12. **Models with Mid-Frame Air Deflector:** See Figure 9.

a. Slide the flat side of the actuator assembly (1) behind the spark plug wires.

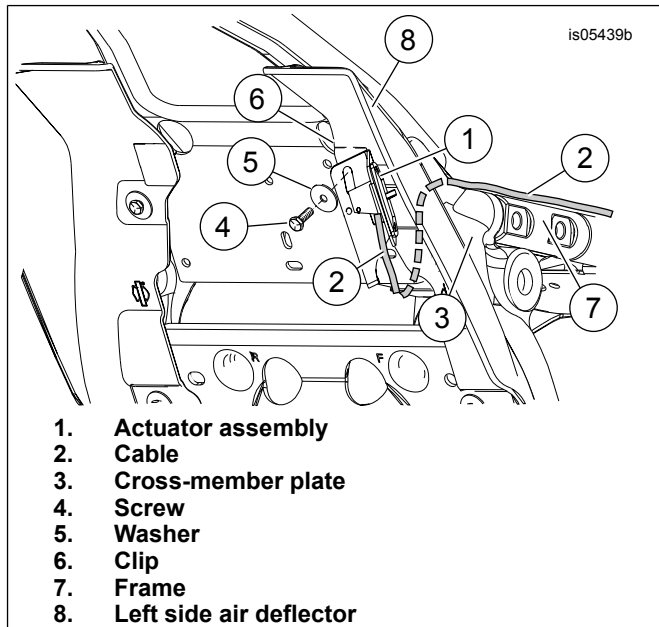
b. Verify the hook/bent tab on the bracket engages with the cross-member plate.

c. Secure with screw (4) and washer (5). Tighten.
Torque: 5.1–6.2 N·m (45–55 in-lbs) screw



1. Actuator assembly
2. Cable
3. Cross-member plate
4. Screw
5. Washer
6. Clip
7. Frame

Figure 8. Install Actuator Assembly



1. Actuator assembly
2. Cable
3. Cross-member plate
4. Screw
5. Washer
6. Clip
7. Frame
8. Left side air deflector

Figure 9. Installing Actuator Assembly with Mid-Frame Air Deflector

13. Clean an area on the adjustment handle bracket in the approximate location where the spark plug wire clip was removed. Use a solution of 50% alcohol and 50% water.

14. See Figure 1. Install wire guide (8) onto the bracket.

15. Route the spark plug wire through the clip.
16. Fold clip to secure the spark plug wire.
17. See Figure 10. Route the cable (2) under cross-member.
18. Continue routing cable (2) between fuse/electrical box (4) and frame (5) to the top of the rear fender and to the backrest bracket.

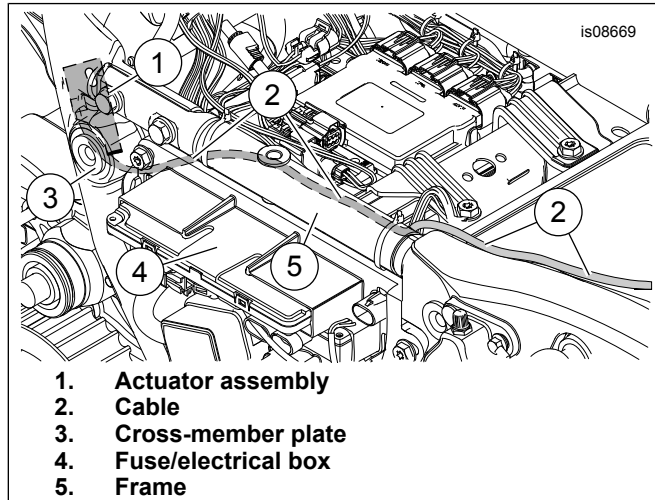


Figure 10. Cable Routing

19. See Figure 11. Attach the release cable (1) to the backrest mounting bracket (2) as shown.
20. Carefully secure the cable to the shaft of the gas spring (4) with the provided cable strap (3). Do not over-tighten the cable strap.

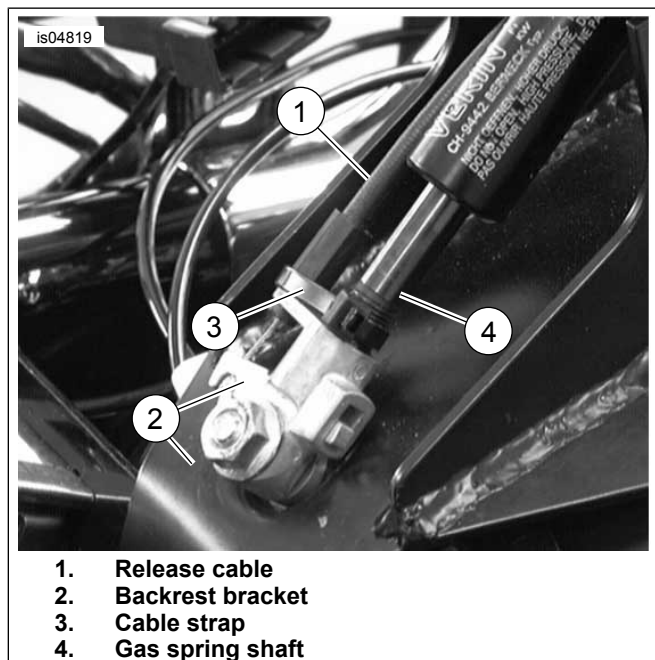


Figure 11. Attach Cable to Backrest Bracket

SEAT PROTECTOR INSTALLATION

NOTE

The purpose of the seat protector is to prevent premature wear between the backrest mechanism and the underside of the seat. If the seat protector is placed too low in the seat opening, the backrest mechanism, when pushed forward, may snag the upper edge of the protector and be difficult to return upright.

1. Temporarily install the seat over the backrest mechanism.
2. Install but do not tighten the seat mounting hardware.
3. Install the rider backrest following the instructions under BACKREST INSTALLATION.
4. See Figure 1. Obtain seat protector (16).
5. Apply masking tape to seat protector as an aid to locate the protector in the seat.
 - a. Apply masking tape to the smooth, non-adhesive side of the seat protector.
 - b. Extend masking tape 2 in (5.1 cm) past each edge of the shorter side of the seat protector.
6. Insert the seat protector from above between the rear of the seat opening and the backrest mechanism all the way to the edge with the tape. Do not tape protector to seat now.
7. See Figure 14. With the backrest and seat in place, push the backrest to the fully forward position (3). The backrest mechanism presses against the underside of the seat and against the inserted seat protector.
8. With backrest mechanism fully forward, adjust the seat protector so the upper-most edge is positioned roughly 1/2 in (13 mm) above the rear edge of the mechanism within the seat pocket.
9. Temporarily adhere the masking tape to the seat to retain the determined position.
10. Keeping the seat protector taped in place, remove seat and place upside down on a smooth, clean surface.
11. Mark or otherwise indicate the location of the edges of the seat protector on the underside of the seat.
12. Remove the protector from the seat and the masking tape from the protector.
13. See Figure 12. Note the shape of the surface the seat protector (2) covers and gently form the protector to better fit the seat contours (1).

NOTE

To keep the inserted backrest from snagging the protector when the backrest is being installed, slightly roll the top-most edge of the seat protector that is nearest the pillion portion of the seat.

14. Note the location of the seat protector and clean a roughly four in square area with soapy water or alcohol.
15. Remove adhesive liner from seat protector and place the seat protector over the intended location.
16. Press from middle of seat protector outward to remove air bubbles trapped between protector and seat.
17. Allow 24 hours for adhesive to cure before getting wet or placing in extreme temperatures.

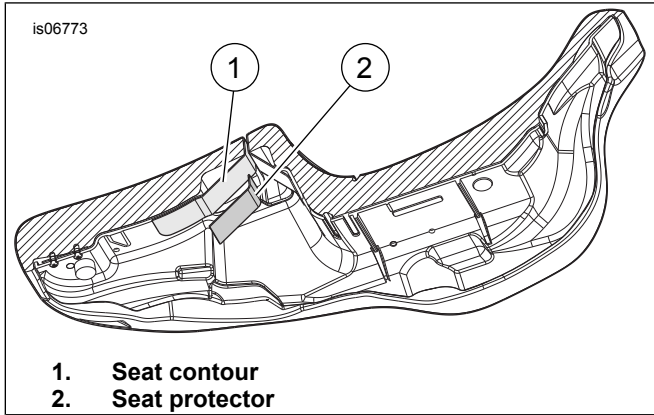


Figure 12. Underside of Seat

SEAT and BCM INSTALL

1. Install BCM caddy and BCM. See owner's manual.
2. Install seat and grab strap (if equipped) with the previously removed hardware.
3. After installing seat, pull up on the seat to verify that it is secure. See owner's manual.

BACKREST INSTALLATION

⚠ WARNING

After installing backrest, pull upward to be sure it is locked in position. While riding, a loose backrest can shift causing loss of control, which could result in death or serious injury. (00386a)

1. See Figure 13. Press on lever on backrest bracket as shown.
2. Insert backrest and press gently until it snaps into place.

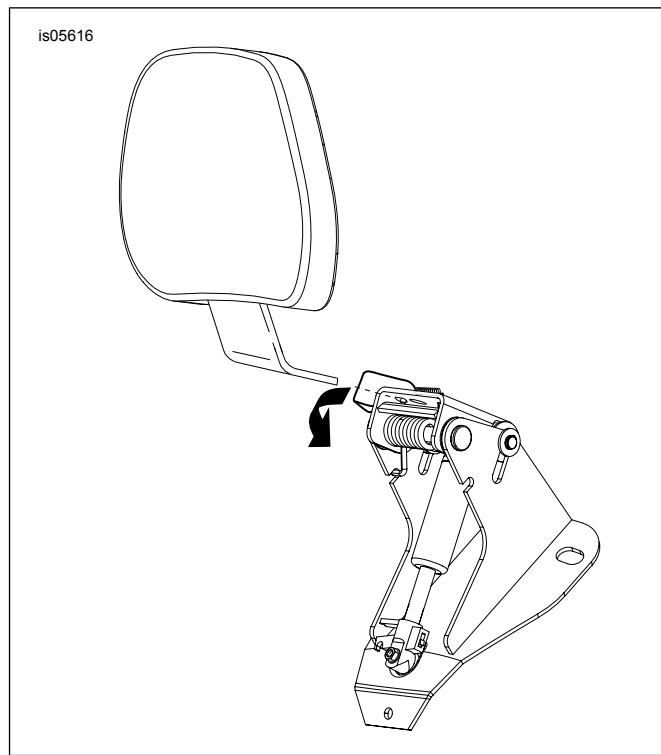


Figure 13. Installing Backrest

OPERATION

⚠ WARNING

After installing backrest, pull upward to be sure it is locked in position. While riding, a loose backrest can shift causing loss of control, which could result in death or serious injury. (00386a)

1. See Figure 14. The adjustment handle is used to move the backrest pad into the forward and rearward positions.
2. To adjust the backrest pad forward or rearward (2), push the handle.
3. Leaning back against the backrest pad helps adjust it rearward.
4. Keeping your weight off of the backrest pad while pushing the handle causes the backrest to come to its full forward position.
5. Releasing the handle locks the backrest into place.
6. To adjust the backrest pad up and down (1), pull the knob on rear of pad.

NOTE

Be careful when pushing the seat to the full forward mounting position (3). Pushing the seat forward too far could tear the seat material.

7. Move the backrest up or down into the desired position then release when the pad is in the desired position.

8. The backrest pad may be pushed forward against seat (3) as shown to ease in getting off and on the motorcycle without activating the release handle.

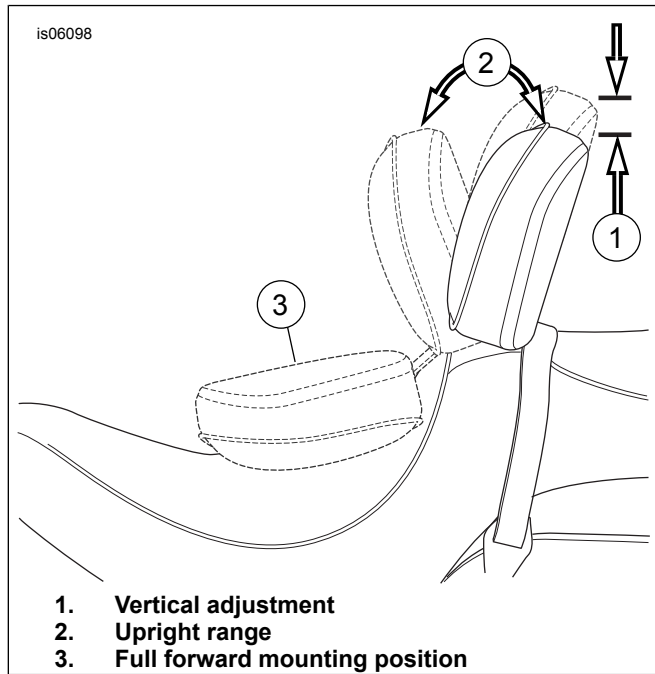


Figure 14. Backrest Positions