



INSTRUCTIONS

94100401

2024-01-23



SADDLEBAG WALL ORGANIZER

GENERAL INFORMATION

Table 1. General Information

Kits	Suggested Tools	Skill Level ⁽¹⁾
90202609	Safety Glasses	

(1) Only simple tools and techniques required

KIT CONTENTS

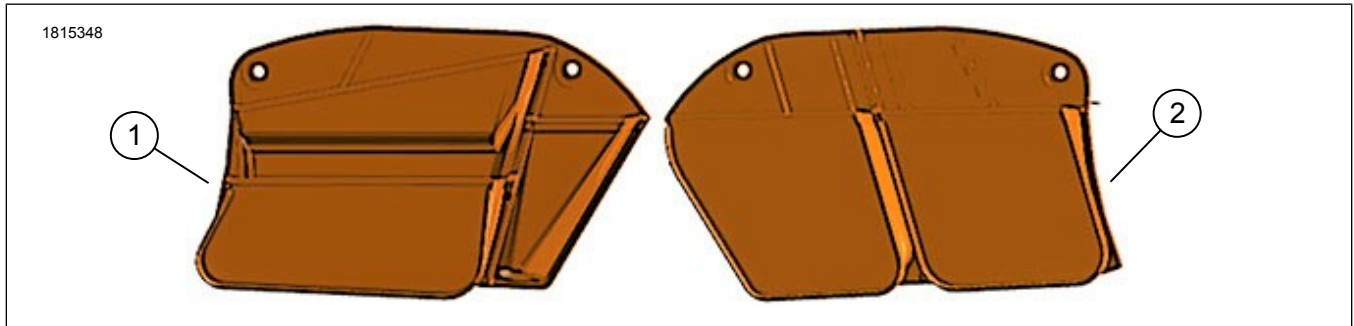


Figure 1. Kit Contents: Saddlebag Wall Organizer

Table 2. Kit Contents: Saddlebag Wall Organizer Kit

Verify that all contents are present in the kit before installing or removing items from vehicle.					
<input checked="" type="checkbox"/>	Item	Qty	Description	Part No.	Notes
<input type="checkbox"/>	1	1	Wall organizer, right	Not sold separately	
<input type="checkbox"/>	2	1	Wall organizer, left	Not sold separately	

GENERAL

Models

For model fitment information, see the Parts and Accessories (P&A) Retail Catalog or the Parts and Accessories section of www.harley-davidson.com.

Verify that the most current version of the instruction sheet is used. It is available at: h-d.com/isheets

Contact Harley-Davidson Customer Support Center at 1-800-258-2464 (U.S. only) or 1-414-343-4056.

Installation Requirements

▲ WARNING

Rider and passenger safety depend upon the correct installation of this kit. If the procedure is not within your capabilities or you do not have the correct tools, have a Harley-Davidson dealer perform the installation. Improper installation of this kit could result in death or serious injury. (00308b)

REMOVE

1. Open saddlebag lid.
2. Figure 2 Remove mounting screws with lever (1). Retain for installation.

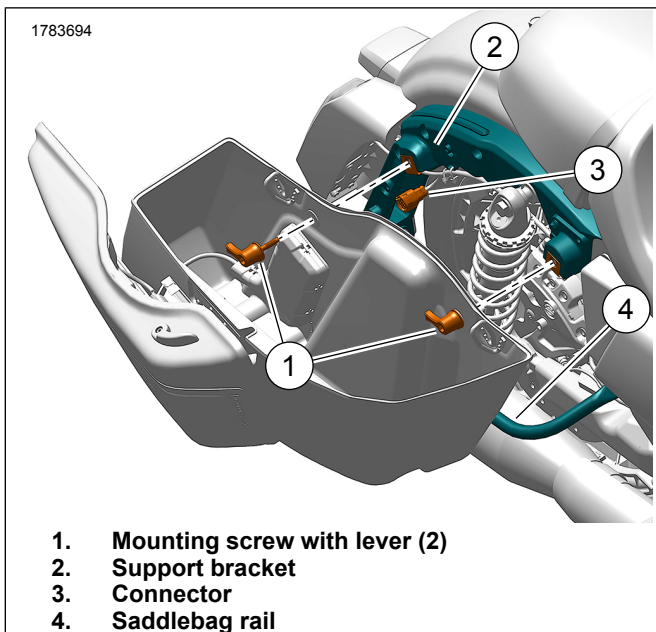


Figure 2. Remove/Install Saddlebag

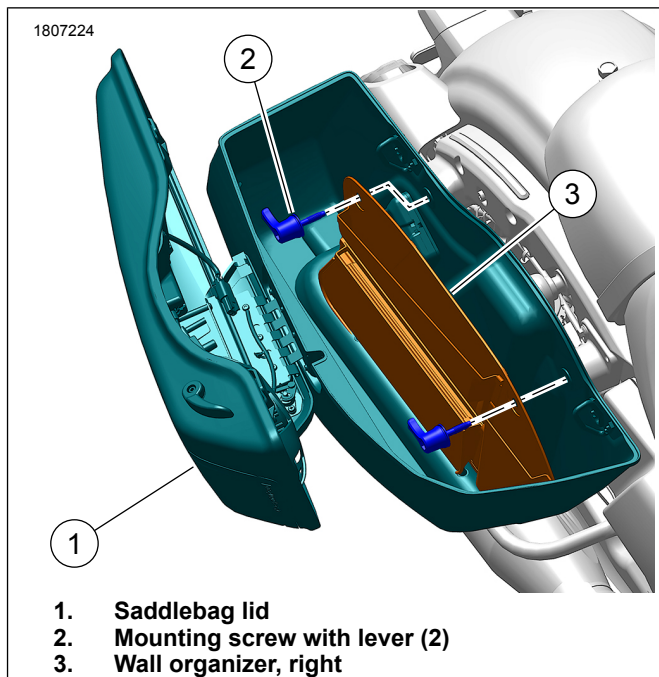


Figure 3. Saddlebag Wall Organizer

INSTALL

▲ WARNING

Do not exceed saddlebag weight capacity. Put equal weight in each bag. Too much weight in saddlebags can cause loss of control, which could result in death or serious injury. (00383a)

NOTE

Maximum load capacity of the wall organizer is 1.36 kg (3 lb). Combined load of wall organizer and saddlebag must not exceed 6.8kg (14.99 lb).

1. Figure 3 Insert saddlebag wall organizer (3) into saddlebag (1).
2. Align mounting hole of saddlebag wall organizer (3) with saddlebag mounting location.
3. Figure 4 Saddlebags with pass through wire harness or amplifier use organizer extend tab (3) when mounting to saddlebag.
4. Figure 2 Install mounting screw with lever (1).
 - a. Turn lever (1) clockwise until secure.
 - b. Lever should be pointed between 3 o'clock and 9 o'clock positions as shown.
5. Verify saddlebag is secure.
6. Close saddlebag lid.
7. Repeat steps for opposite side.

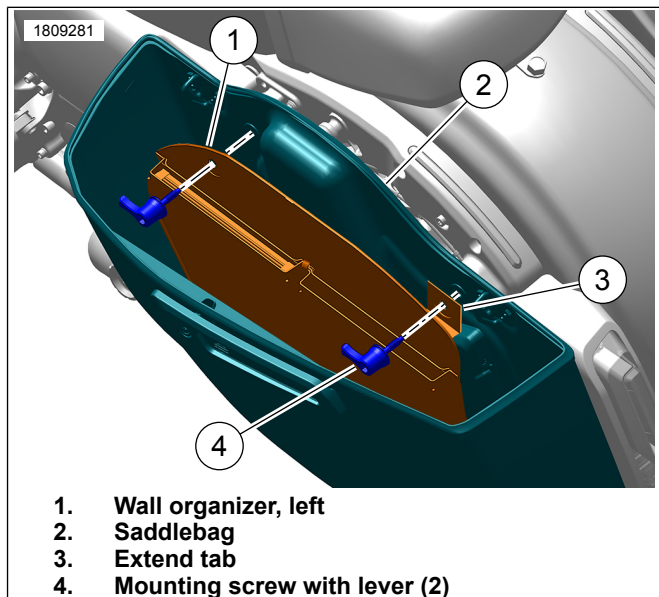


Figure 4. Wall Organizer Extend Tab

CARE AND MAINTENANCE INSTRUCTIONS

1. Use a lint free cloth to wipe off any dust or dirt.
2. Thoroughly clean outer surface with warm water and a mild detergent.
3. Do not use artificial means to dry material quickly.
4. Contains one or more of the following materials:
 - a. Polyester
 - b. Polypropylene
 - c. Polyethylene

d. Polyvinyl chloride