



# INSTRUCTIONS

94100074

2023-02-16



## SCREAMIN' EAGLE® STREET CANNON MUFFLER

### GENERAL INFORMATION

Table 1. General Information

Kits	Suggested Tools	Skill Level <sup>(1)</sup>
65600389	Safety Glasses, Torque Wrench, Loctite 243 (Blue), Loctite 262 (Red)	

(1) Special tools or techniques required for installation

### KIT CONTENTS

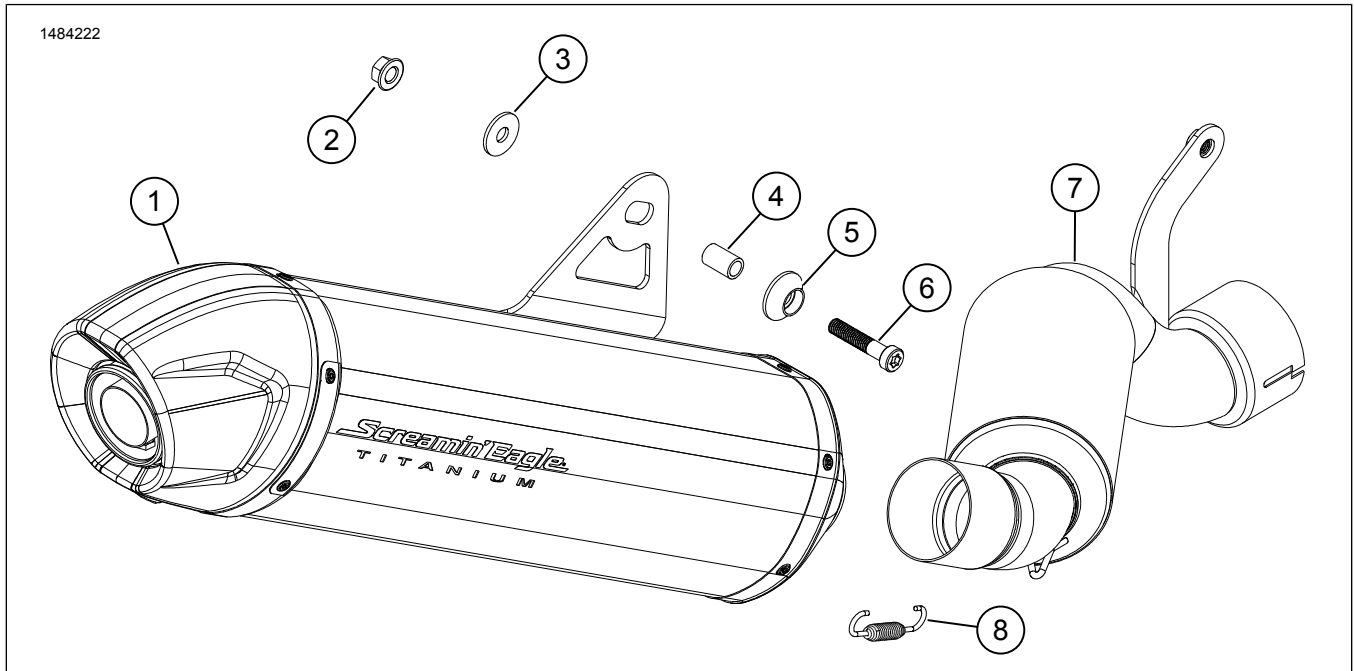


Figure 1. Kit Contents: Screamin' Eagle® Street Cannon Muffler

Table 2. Kit Contents: Screamin' Eagle® Street Cannon Muffler

Verify that all contents are present in the kit before installing or removing items from vehicle.					
<input checked="" type="checkbox"/>	Item	Qty	Description	Part No.	Notes
<input type="checkbox"/>	1	1	Muffler	64901004	
<input type="checkbox"/>	2	1	Flange nut	10100154	
<input type="checkbox"/>	3	1	Washer	10300237	
<input type="checkbox"/>	4	1	Spacer	10600079	
<input type="checkbox"/>	5	1	Custom washer	10600081	
<input type="checkbox"/>	6	1	Screw	10201208	
<input type="checkbox"/>	7	1	Mid pipe	65600396	
<input type="checkbox"/>	8	1	Spring	65500112	

## GENERAL

### Models

For model fitment information, see the Parts and Accessories (P&A) Retail Catalog or the Parts and Accessories section of [www.harley-davidson.com](http://www.harley-davidson.com).

Verify that the most current version of the instruction sheet is used. It is available at: [h-d.com/isheets](http://h-d.com/isheets)

Contact Harley-Davidson Customer Support Center at 1-800-258-2464 (U.S. only) or 1-414-343-4056.

### Installation Requirements

These items are available at a Harley-Davidson dealership.

- Separate purchase of clamp (Part No. 65900015).
- International models require separate purchase of Clamp (Part No. 65900015) and Gasket (Part No. 65900056).

#### ▲ WARNING

Rider and passenger safety depend upon the correct installation of this kit. If the procedure is not within your capabilities or you do not have the correct tools, have a Harley-Davidson dealer perform the installation. Improper installation of this kit could result in death or serious injury. (00308b)

#### ▲ WARNING

Rider and passenger safety depend upon the correct installation of this kit. Use the appropriate service manual procedures. If the procedure is not within your capabilities or you do not have the correct tools, have a Harley-Davidson dealer perform the installation. Improper installation of this kit could result in death or serious injury. (00333b)

#### NOTE

This instruction sheet references service manual information. A service manual for the year and model motorcycle is required for this installation and is available from:

- A Harley-Davidson dealer.
- H-D Service Information Portal, a subscription-based access available for most 2001 and newer models. For more information see *Frequently ask questions about subscriptions*.

### PREPARE

1. Remove main fuse. See service manual.
2. Figure 2 Remove screws (1).
  - a. Secure rider footrest (2) assembly aside.

### REMOVE

1. Figure 3 Loosen muffer clamp (3).
2. Remove shoulder screw (2) from mid pipe bracket. Save for later use.

3. Remove and discard shoulder screw (1) from support bracket.
4. Remove whole OE exhaust assembly.
  - a. Discard OE muffer clamp (3).

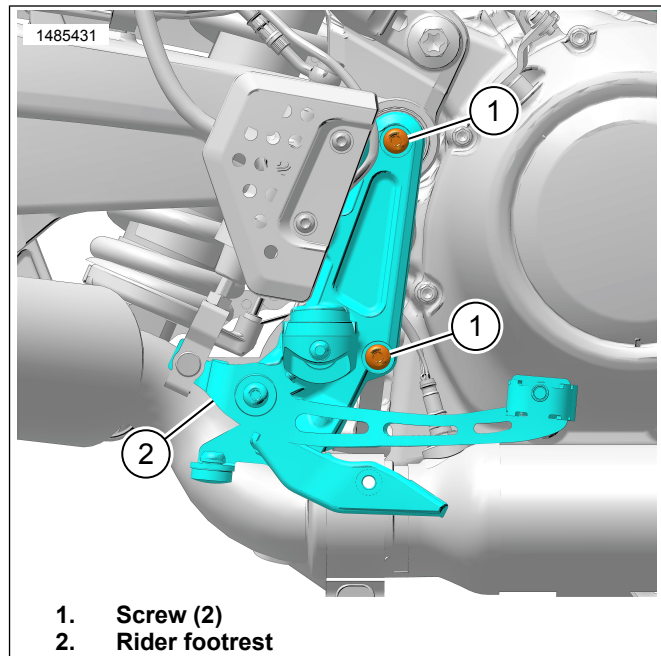


Figure 2. Rider Footrest

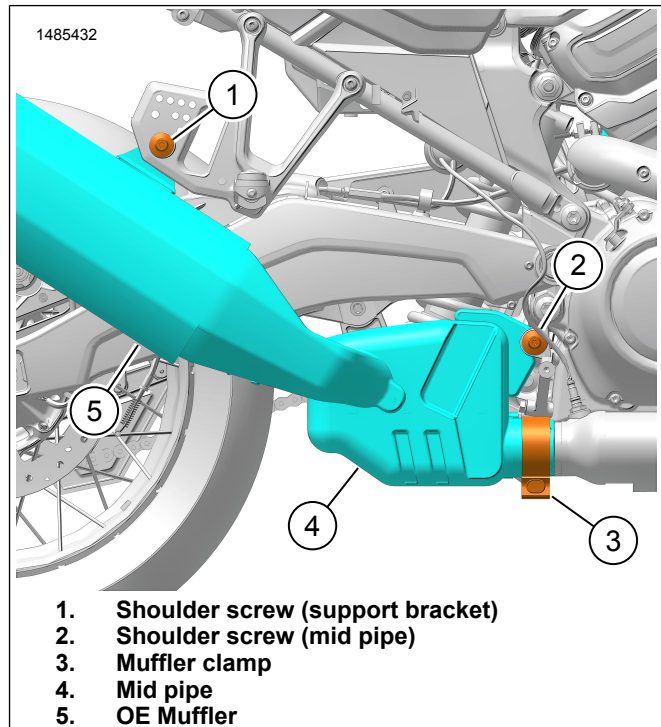


Figure 3. OE Exhaust Assembly

### INSTALL

1. Figure 4 Install mid pipe (4) to muffer (6).
2. Install muffer spring (5) to spring mounting tabs on mid pipe and muffer.

3. Install **new** muffler clamp (3) to mid pipe (4).

4. **NOTE**

**International Model:** Install **new** gasket (Part No. 65900056) prior to mid-pipe installation.

Install mid pipe (4) to header pipe.

a. Align mounting bracket (2) with hole.

5. Figure 5 Position muffler bracket behind the passenger footpeg support bracket (1).

a. Align components and install spacer (4).

6. Loosely install hardware (2, 3, 5, 6).

a. Use threadlocker on screw (6).

LOCTITE 262 HIGH STRENGTH THREADLOCKER AND SEALANT (RED) (94759-99)

7. Figure 6 Apply threadlocker to mid pipe shoulder screw (1) that was previously removed.

Consumable: LOCTITE 262 HIGH STRENGTH THREADLOCKER AND SEALANT (RED) (94759-99)

8. Install screw (1). Tighten.

Torque: 13.6–16.3 N·m (10–12 ft-lbs) *Mid pipe shoulder screw*

9. Tighten muffler clamp (2).

Torque: 52–58 N·m (38–43 ft-lbs) *Muffler clamp*

10. Figure 5 Tighten screw (6).

Torque: 13.6–16.3 N·m (10–12 ft-lbs) *Muffler shoulder screw*

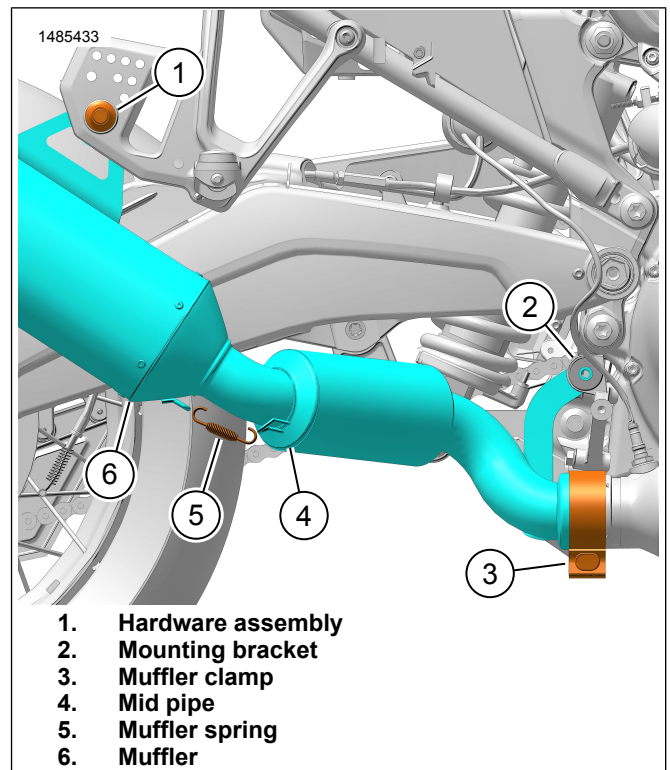


Figure 4. Screamin Eagle Muffler Assembly

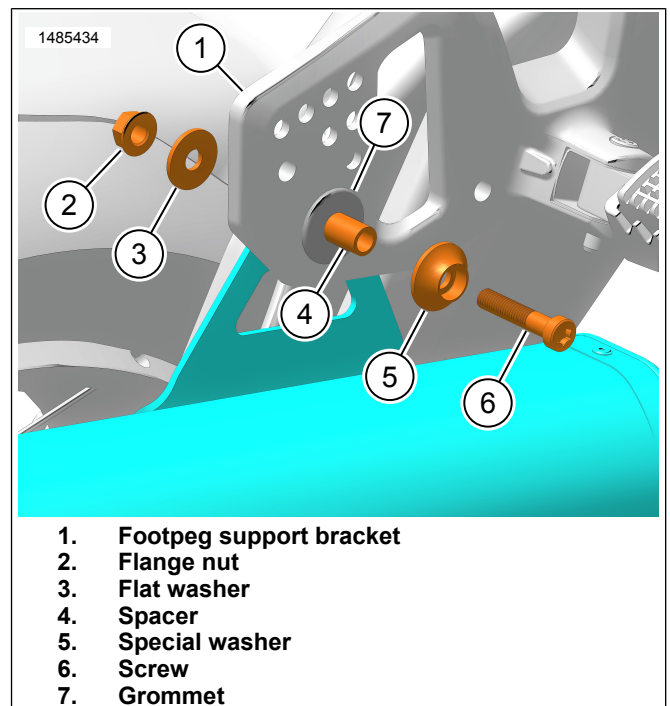


Figure 5. Muffler Hardware

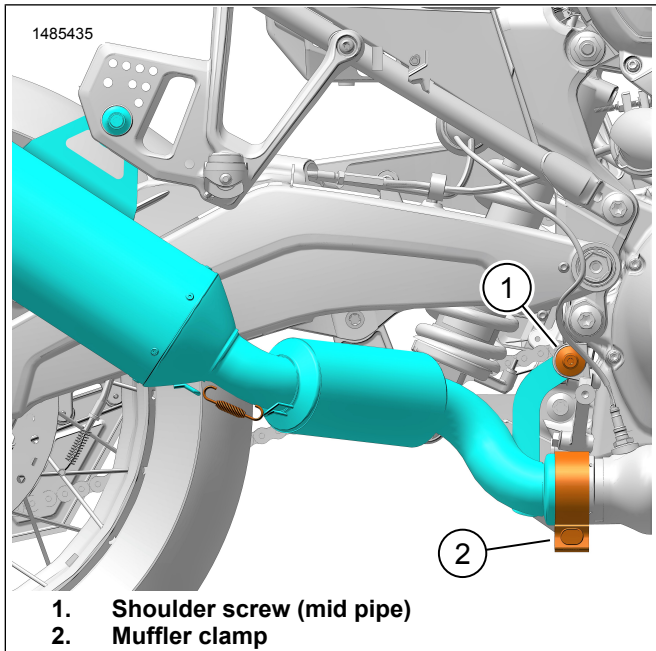


Figure 6. Mounting Bracket Screw

## COMPLETE

1. Figure 2 Install rider footrest (2).
2. Clean threads of screws (1) and holes in frame.
3. Apply threadlocker to screws (1).  
Consumable: LOCTITE 243 MEDIUM STRENGTH  
THREADLOCKER AND SEALANT (BLUE) (99642-97)
4. Install screws (1). Tighten.  
Torque: 28.5–31.5 N·m (21–23 ft-lbs) *Rider footrest screw*
5. Install main fuse. See service manual.