



INSTRUCTIONS

J06636

2018-08-20



SISSYBAR BAG KIT

GENERAL

Kit Numbers

93300113, 93300114

Models

For model fitment information, see the P&A retail catalog or the Parts and Accessories section of www.harley-davidson.com (English only).

Installation Requirements

⚠ WARNING

Rider and passenger safety depend upon the correct installation of this kit. If the procedure is not within your capabilities or you do not have the correct tools, have a Harley-Davidson dealer perform the installation. Improper installation of this kit could result in death or serious injury. (00308b)

⚠ WARNING

Do not exceed Sissy Bar Bag weight capacity. Too much weight in Sissy Bar Bag can cause loss of control, which could result in death or serious injury. (06704a)

NOTE

Maximum capacity 1.81 kg (4 lb).

NOTE

When installed on a luggage rack, do not exceed the load limit of the luggage rack.

- Requires a sissybar upright, backrest pad or luggage rack, if not mounting luggage on passenger pillion.
- Do not rest on fender. Paint scuffing can occur.

Kit Contents

See Figure 3 and Table 1

INSTALLATION

1. Figure 1 Attach three (minimum) hook-and-loops to back of bag.

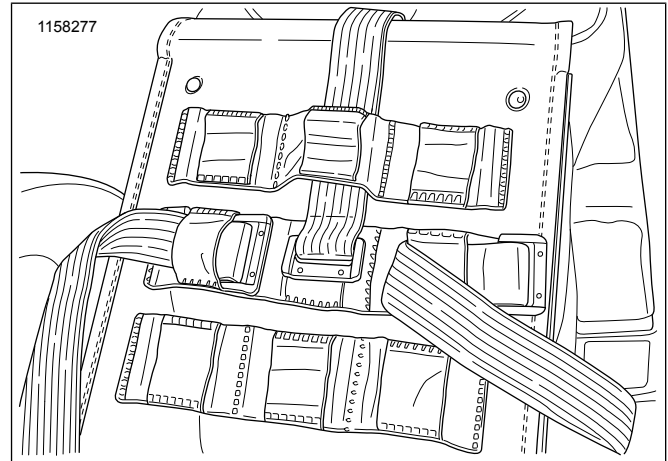
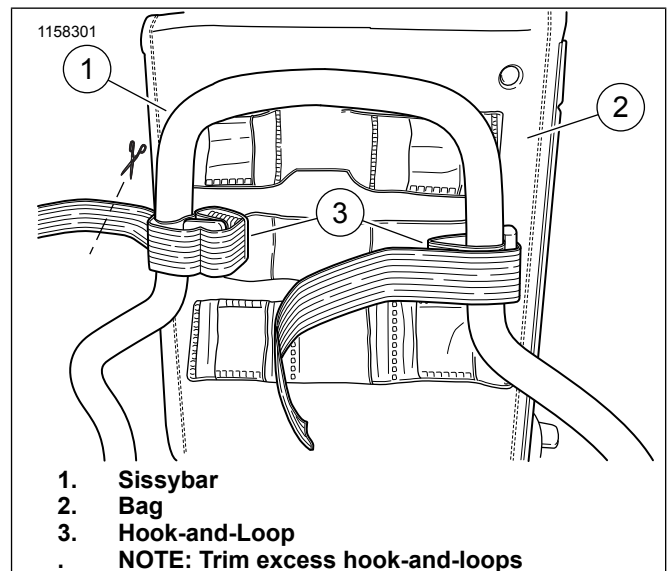


Figure 1. Attach Hook-and-Loop (Typical)

2. See Figure 2. Secure hook-and-loops (3) on bag (2) to desired location.



1. Sissybar
2. Bag
3. Hook-and-Loop

NOTE: Trim excess hook-and-loops

Figure 2. Bag and Hook-and-Loop Attachment

3. Tighten hook-and-loops (3) as much as possible.
4. Trim excess hook-and-loops (3).

CARE INSTRUCTIONS

NOTICE

Do not use bleach or detergents containing bleach on saddlebags, seats, tank panels or painted surfaces. Doing so can result in equipment damage. (00229a)

Leather, vinyl and other synthetic surfaces must be periodically cleaned and treated to maintain its appearance and extend its life. Clean and treat these surfaces once a season or more frequently under adverse conditions.

These surfaces are not designed for long-term exposure to inclement weather. Protect these surfaces with an HARLEY-DAVIDSON SEAT RAIN COVER or MOTORCYCLE STORAGE COVER (sold separately).

1. Vacuum or blow dust off surface.
2. Thoroughly clean outer surfaces with soap and water.
3. Allow the material to dry naturally and completely at room temperature before applying other products to the material. Do not use artificial means to dry the material quickly.

SERVICE PARTS

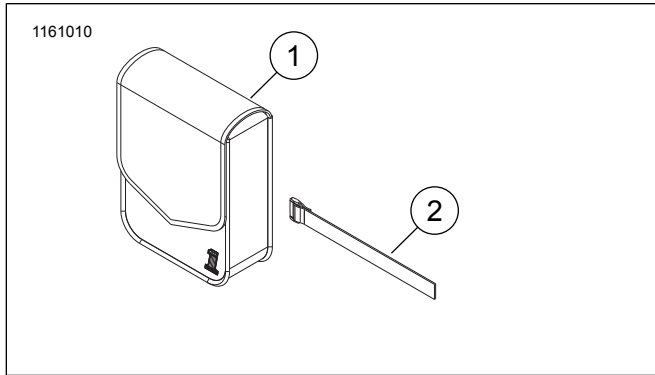


Figure 3. Service Parts: Sissybar Bag Kit (93300114 shown)

Table 1. Service Parts: Sissybar Bag Kit

Item	Description (Quantity)	Part Number
1	Bag, Sissybar	Not sold separately
2	Hook-and -Loop Supports, (Kit 93300113) (3) (Kit 93300114) (4)	90201895