



INSTRUCTIONS

94100115

2021-06-22



SOFT SADDLEBAGS

GENERAL INFORMATION

Table 1. General Information

Kits	Suggested Tools	Skill Level ⁽¹⁾
90202107	Safety Glasses, Torque Wrench	
<i>(1) Tightening to torque value or other moderate tools and techniques required</i>		

KIT CONTENTS

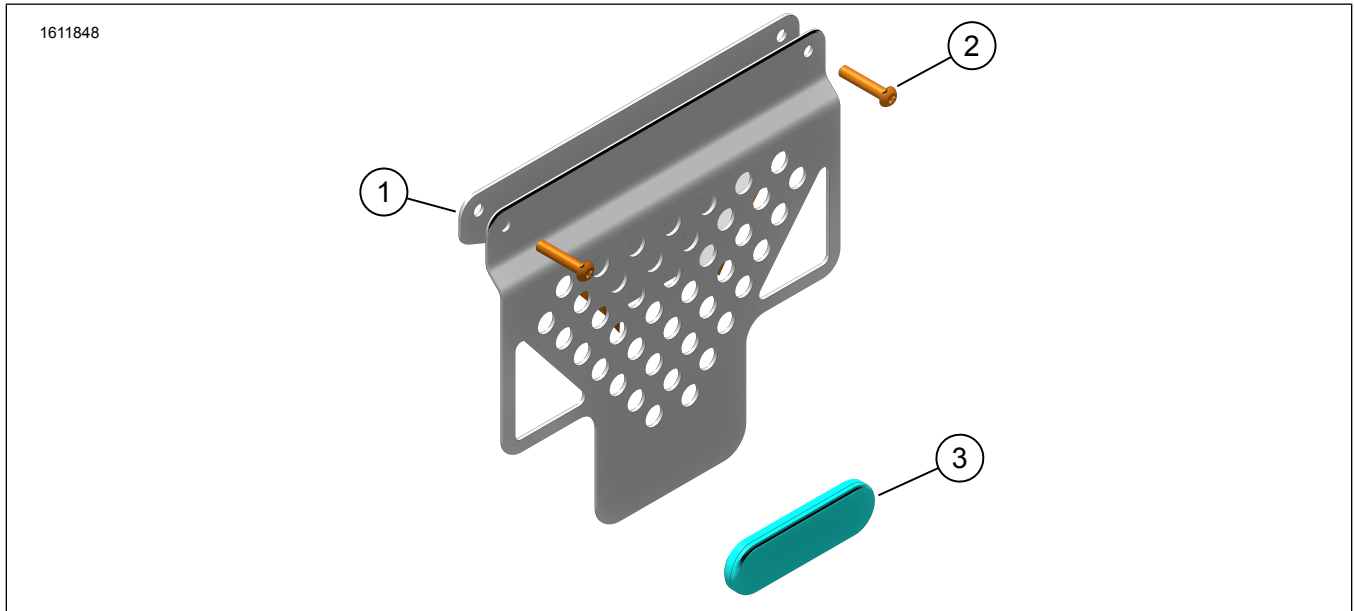


Figure 1. Kit Contents: Soft Saddlebags

Table 2. Kit Contents: Soft Saddlebags

Verify that all contents are present in the kit before installing or removing items from vehicle.					
<input checked="" type="checkbox"/>	Item	Qty	Description	Part No.	Notes
<input type="checkbox"/>	1	2	Support bracket, saddlebag	67900650	
<input type="checkbox"/>	2	4	Screw, button head, M6	10201320	
<input type="checkbox"/>	3	2	Reflector, red	67900205A	
<input type="checkbox"/>	4	2	Soft saddlebag	90202251	Not shown

GENERAL

Models

For model fitment information, see the Parts and Accessories (P&A) Retail Catalog or the Parts and Accessories section of www.harley-davidson.com.

Verify that the most current version of the instruction sheet is used. It is available at: h-d.com/isheets

Contact Harley-Davidson Customer Support Center at 1-800-258-2464 (U.S. only) or 1-414-343-4056.

Installation Requirements

⚠ WARNING

Rider and passenger safety depend upon the correct installation of this kit. If the procedure is not within your capabilities or you do not have the correct tools, have a Harley-Davidson dealer perform the installation. Improper installation of this kit could result in death or serious injury. (00308b)

These items are available at your local Harley-Davidson dealership.

- Separate purchase of Side Case Mounting Kit (Part No. 90202087) is required for this installation.

PREPARE

NOTE

Figure 2 Latch plate nuts (3) (Part No. 10100152) are from the Side Case Mounting Kit.

1. Remove any mounting spools, latch plates and hardware used for mounting aluminum luggage.
 - a. Save latch plate nuts for later use.

INSTALL

1. Figure 2 Install saddlebag support bracket (1) to saddlebag support frame.
2. Install screws (2) and latch plate nuts (3). Tightened screws.
Torque: 9.5 N·m (7 ft-lbs) *Support bracket screw*
3. Repeat procedure for opposite side.

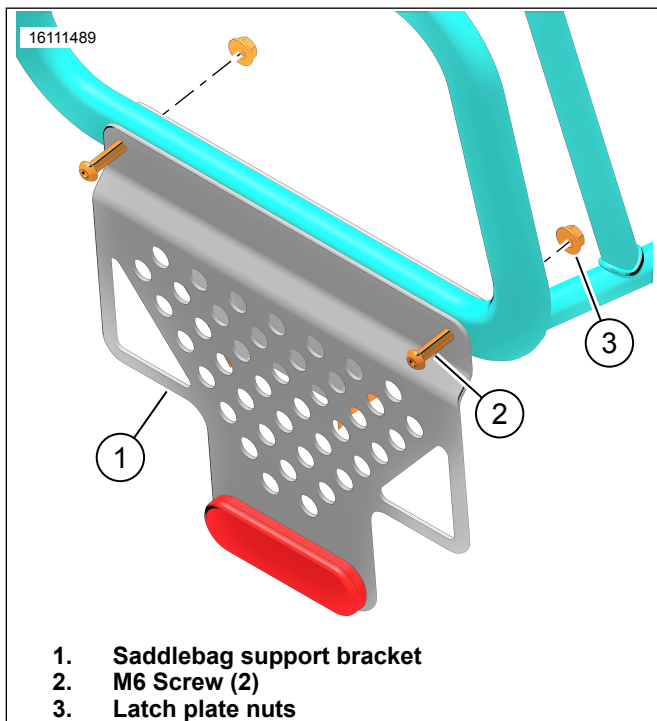


Figure 2. Mount Brackets

4. Figure 3 Install saddlebags on vehicle with straps connected over rear seat pillion.
5. Figure 4 Align reflective stripe (2) on saddlebag with lower horizontal support (3). Adjust straps as needed.

NOTE

Proper bag height should be maintained to reduce likelihood of saddlebag contacting the ground while cornering at maximum lean angle.

6. Figure 3 Place excess straps into elastic loops (1).
7. Figure 5 Wrap saddlebag tension straps (3) around saddlebag support frame (4).
 - a. Four tension straps per saddlebag.
8. Tighten saddlebag to support frame.
 - a. See Figure 6 and Figure 7. Insert small buckle (1) into large buckle (2).
 - b. Tighten tension straps as needed.
9. Figure 8 Tension straps (2, 3, 4) should be attached in approximate locations.
10. Secure any loose strap length with elastic loops.

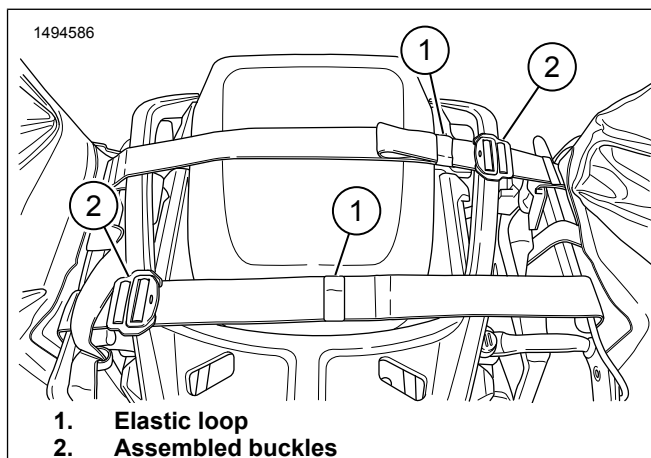


Figure 3. Straps Across Pillion



Figure 4. Install Saddlebag

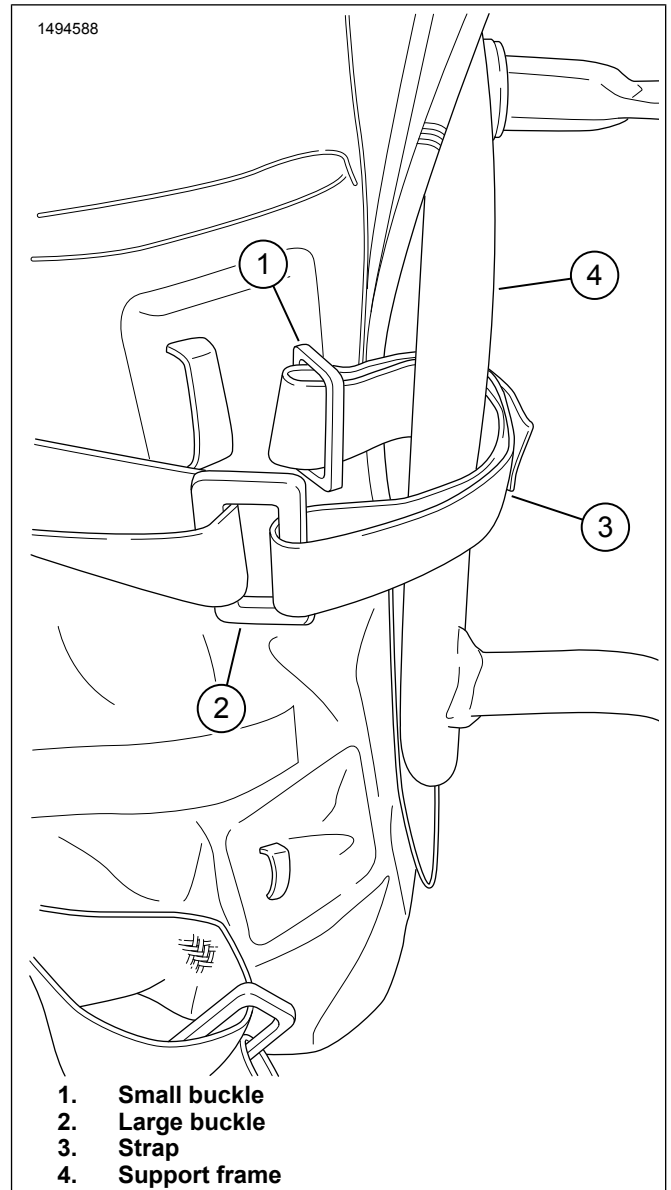
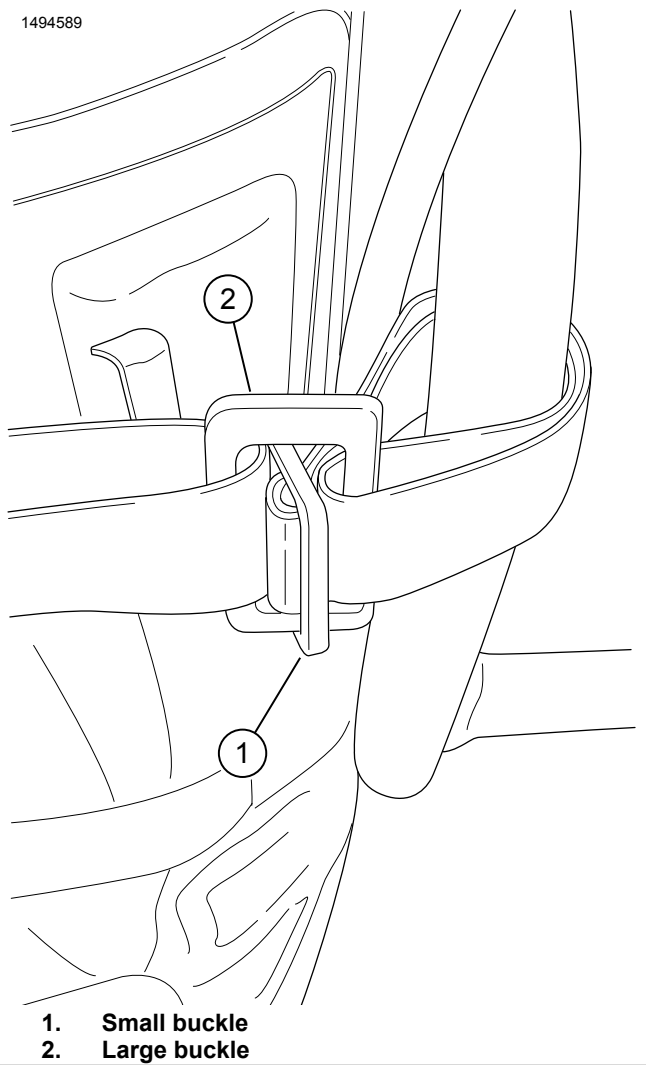
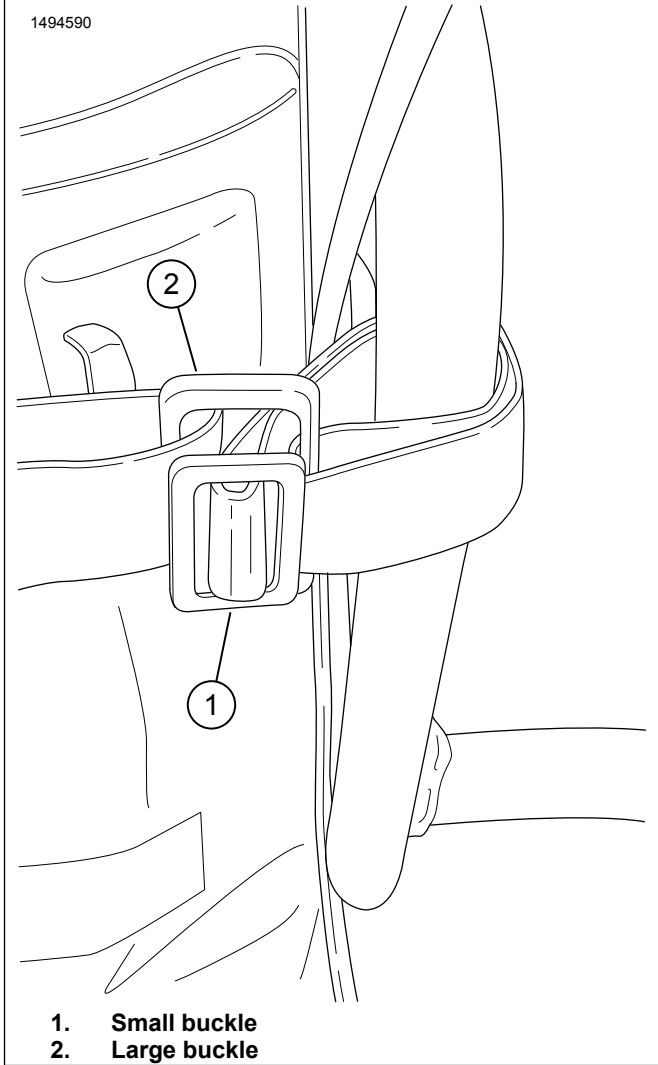


Figure 5. Tension Strap Process 1



- 1. Small buckle
- 2. Large buckle

Figure 6. Tension Strap Process 2



- 1. Small buckle
- 2. Large buckle

Figure 7. Tension Strap Process 3

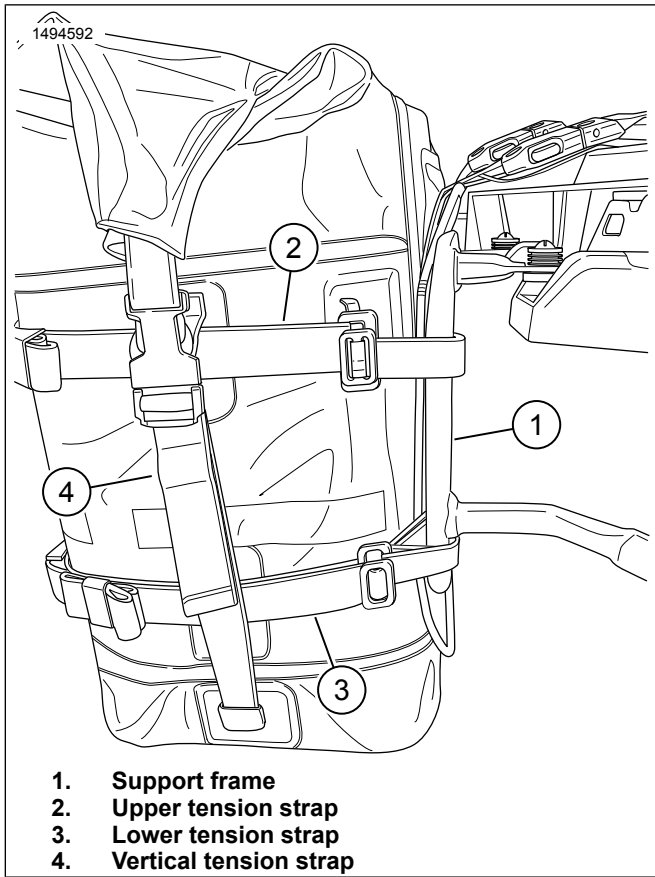


Figure 8. Tension All Straps