



# INSTRUCTIONS

94100181

2021-03-15



## TAIL BAG

### GENERAL INFORMATION

Table 1. General Information

Kits	Suggested Tools	Skill Level <sup>(1)</sup>
93300128	Safety glasses, Torque wrench, Loctite 243 (Blue)	

(1) Only simple tools and techniques required

### KIT CONTENTS

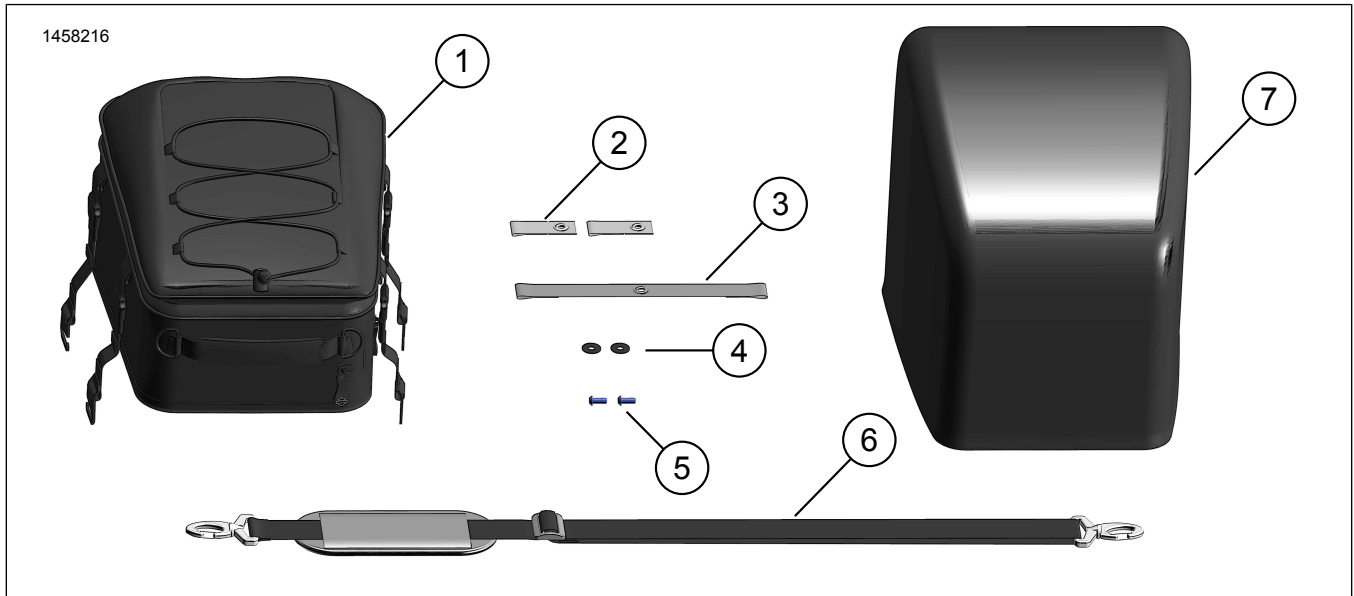


Figure 1. Kit Contents: Tail Bag Kit

Table 2. Kit Contents: Tail Bag Kit

Verify that all contents are present in the kit before installing or removing items from vehicle.					
<input checked="" type="checkbox"/>	Item	Qty	Description	Part No.	Notes
<input type="checkbox"/>	1	1	Bag, tail	Not sold separately	
<input type="checkbox"/>	2	2	Strap, tether	93300143	
<input type="checkbox"/>	3	1	Strap, mounting, center	93300144	
<input type="checkbox"/>	4	2	Washer	10300244	
<input type="checkbox"/>	5	2	Screw	10201213	
<input type="checkbox"/>	6	1	Strap, shoulder	93300150	
<input type="checkbox"/>	7	1	Rain cover	93300153	
<input type="checkbox"/>	8	1	Warning label (not shown)	Not sold separately	

## GENERAL

### Models

For model fitment information, see the Parts and Accessories (P&A) Retail Catalog or the Parts and Accessories section of [www.harley-davidson.com](http://www.harley-davidson.com).

Verify that the most current version of the instruction sheet is used. It is available at: [h-d.com/isheets](http://h-d.com/isheets)

Contact Harley-Davidson Customer Support Center at 1-800-258-2464 (U.S. only) or 1-414-343-4056.

### Installation Requirements

This item is available at a Harley-Davidson dealership.

- Separate purchase of Pillion (Part No. 52400271) is required.

#### ⚠ WARNING

**Rider and passenger safety depend upon the correct installation of this kit. Use the appropriate service manual procedures. If the procedure is not within your capabilities or you do not have the correct tools, have a Harley-Davidson dealer perform the installation. Improper installation of this kit could result in death or serious injury. (00333b)**

#### NOTE

*This instruction sheet references service manual information. A service manual for the year and model motorcycle is required for this installation and is available from:*

- A Harley-Davidson dealer.
- H-D Service Information Portal, a subscription-based access available for most 2001 and newer models. For more information see *Frequently ask questions about subscriptions*.

#### ⚠ WARNING

**See ACCESSORIES AND CARGO section within the SAFETY FIRST section in your owner's manual. Improper cargo loading or accessory installation can cause component failure and adversely affect stability, handling and performance, which could result in death or serious injury. (00021c)**

- Do not exceed 5 lbs (2.3 kg) total weight contents and attachments.
- Periodically recheck straps are secure.
- Periodically recheck load.

#### ⚠ WARNING

**Do not exceed the motorcycle's Gross Vehicle Weight Rating (GVWR) or Gross Axle Weight Rating (GAWR). Exceeding these weight ratings can lead to component failure and adversely affect stability, handling and performance, which could result in death or serious injury. (00016f)**

- GVWR is the total weight of the motorcycle, accessories, rider, passenger and cargo that can be safely carried.
- GAWR is the maximum amount of weight that can be safely carried on one axle.

- GVWR and GAWR are shown on the information plate on the frame downtube.

### REMOVE

1. Remove pillion. See service manual.
2. Figure 2 Remove Original Equipment (OE) center screw (8) from vehicle frame. Retain.

### INSTALL

1. Figure 2 Install front mounting strap.
  - a. Apply threadlocker to OE screw (8).  
LOCTITE 243 MEDIUM STRENGTH  
THREADLOCKER AND SEALANT (BLUE)  
(99642-97)
  - b. Install front mounting strap (5), grab strap (6), washer (7) and screw (8).
  - c. Tighten screw (8).  
Torque: 4.3–5.2 N·m (38–46 in-lbs)
2. Figure 2 Install rear tether mounting straps (3) to pillion (1).
  - a. Position rear tether mounting strap (3), washer (4) and screw (2) to pillion (1). Tighten.  
Torque: 4.2–5.1 N·m (37–45 in-lbs)
  - b. Repeat on opposite side of pillion.
3. Figure 3 Install pillion (1). See service manual.

#### NOTE

*When installing pillion to vehicle, make sure front mounting strap does not become trapped during installation.*

4. Position tail bag on pillion.
5. Figure 4 Secure tail bag mounting straps with G-hooks (6) through front mounting strap (4) loops and rear tether mounting strap (5) loops.
6. Pull straps tight to secure bag using cam locks (3).
7. Stow excess strap length using elastic bands (7).
8. Check that bag is securely fastened to vehicle.

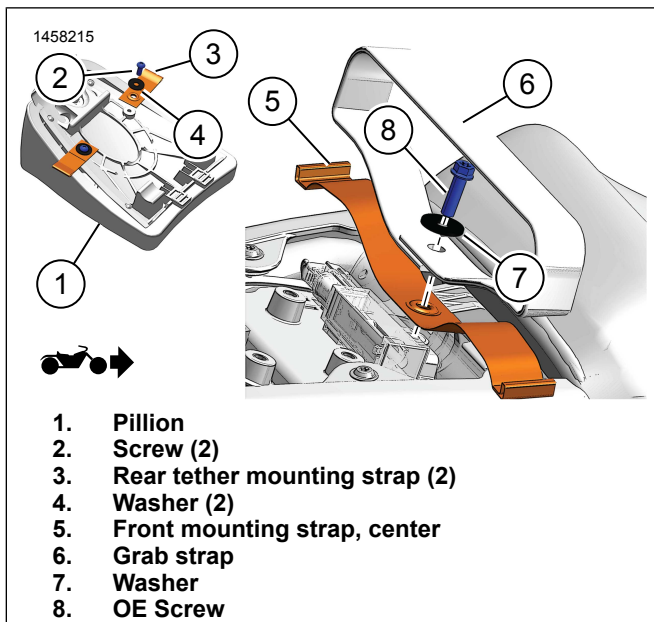


Figure 2. Strap Install

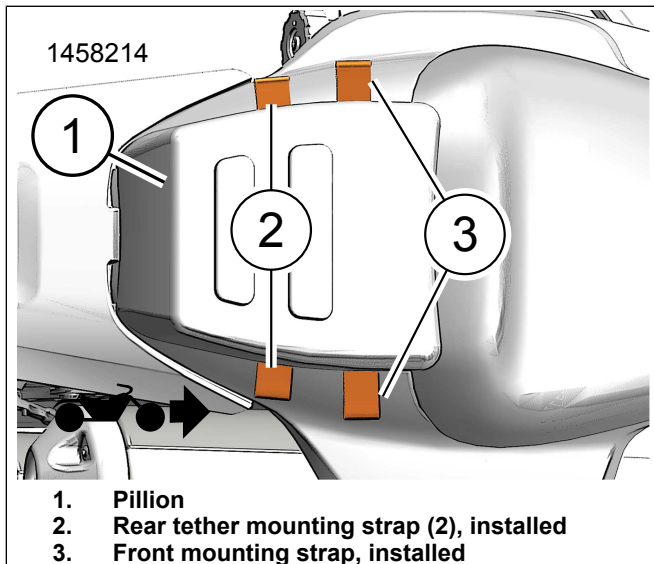


Figure 3. Tail Bag straps and Pillion Install

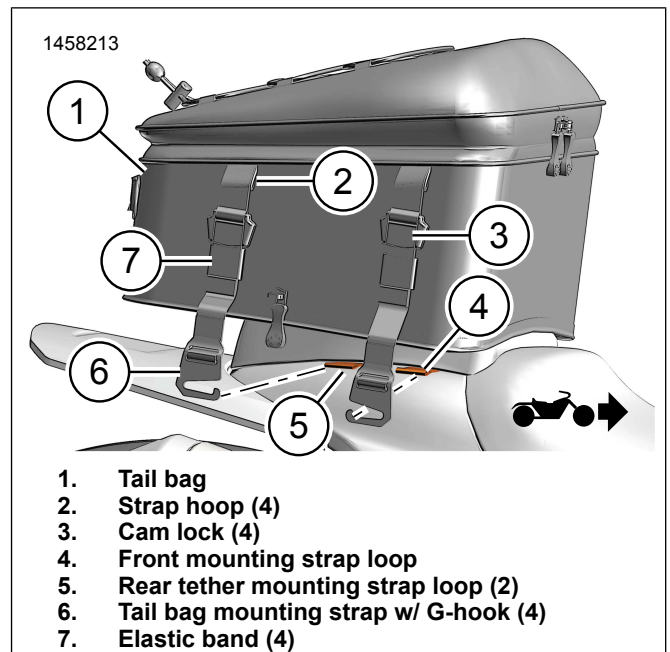


Figure 4. Tail Bag Installed

## SHOULDER STRAP

### NOTE

Store shoulder strap in bag before operating vehicle.

1. Hook ends of straps to D-rings on each side of bag handle.
2. Figure 4 Secure G-hooks (6) to strap hoops (2) while carrying tail bag (1).

## RAIN COVER

1. Attach strap with clasp to tail bag D-ring.
2. Pull rain cover over entire bag.
3. Pull draw string at bottom of cover to tighten and secure with barrel lock.
4. Verify rain cover is tucked completely under tail bag.

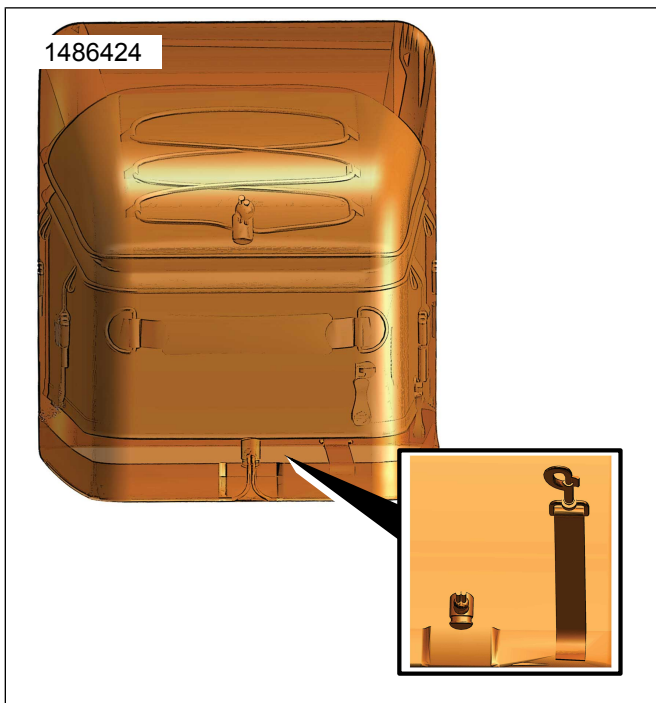


Figure 5. Rain Cover

## MAINTENANCE

1. Use a lint-free cloth to wipe off any dust or dirt.
2. Thoroughly clean outer surface with warm water and a mild detergent.
3. Allow material to dry naturally and completely before use or storage.
4. Do not use washing machine or dryer.
5. Do not use artificial means to dry material quickly.
6. Contains one or more of the following materials:
  - a. Polyester
  - b. Polyethylene
  - c. Polypropylene
  - d. POM
  - e. PVC
  - f. EPDM Rubber
  - g. Nylon
  - h. Vinyl