



# INSTRUCTIONS

J06437

2018-08-21



## SUNDOWNER PILLION

### GENERAL

#### Kit Number

52400168, 52400169, 52400170, 52400171, 52400175, 52400225

#### Models

For model fitment information, see the P&A Retail Catalog or the Parts and Accessories section of [www.harley-davidson.com](http://www.harley-davidson.com) (English only).

#### Kit Contents

See Figure 2 and Table 1.

#### ⚠ WARNING

**Rider and passenger safety depend upon the correct installation of this kit. If the procedure is not within your capabilities or you do not have the correct tools, have a Harley-Davidson dealer perform the installation. Improper installation of this kit could result in death or serious injury. (00308b)**

#### ⚠ WARNING

**Do not install these seat kits on motorcycles that are not equipped with an appropriate grab strap and passenger footpegs. If footpegs and grab strap are not installed, passenger could fall from moving motorcycle or grab onto operator, causing loss of control and death or serious injury. (00410b)**

### INSTALLATION

#### NOTE

*When performing the following installation procedures, avoid scratching painted surfaces (fender, tank, etc.) with tools or metal seat tabs.*

1. See Figure 2. Remove existing pillion from motorcycle following the instructions in the Owner's Manual.

#### NOTE

- **For kits 52400169, 52400170, 52400225:** save mounting hardware from the motorcycle.
- **For kits 52400168, 52400171, 52400175:** Discard mounting hardware from the motorcycle.

2. Remove seat and grabstrap (3) by removing mushroom head nuts (2). Discard existing grabstrap.
3. **Kits 52400168 and 52400175:** See Figure 2. Mark and apply protective tape to fender.
  - a. Mark the bottom of the four isolators (4) with chalk.

- b. Set the pillion in place on fender with front and rear mounting holes on the pillion aligned with the mounting locations on the fender.
- c. Press down on the pillion to transfer the marks from the isolators to the fender.
- d. Place protective tape (5) on the rear fender over the marks transferred to the fender.

4. **Kits 52400168 and 52400175:** See Figure 1. Install retention nut and retention washer in the rearmost fender hole.

- a. A cable strap may be used as an installation aid to install the retention nut and washer. Place the retention nut (1) over the cable strap (3) so the wide end of the nut rests on the eye of the cable strap. Thread the cable strap up under the fender and through the appropriate fender hole. Pull up on the cable strap to hold the nut snug against the underside of the fender.
- b. With the rib on the retention nut seated into the notch in the appropriate fender hole, slide the retention washer (2) into place from the rear. This will lock the retention nut in place. Remove the cable strap.

5. Install new grabstrap using the outermost pair of holes on the strap.

#### NOTE

- **For kits 52400169, 52400170, 52400225:** use mushroom head nuts from motorcycle.
- **For kits 52400168, 52400171, 52400175:** use mushroom head nuts from kit.

6. Install solo seat following the instructions in the Owner's Manual.
7. Pull grabstrap forward and being careful not to scratch the paint on the fender.
8. Install the pillion following the instructions in the Owner's Manual.
9. Pull up on the front of the pillion to check that the seat is secure.



## SERVICE PARTS

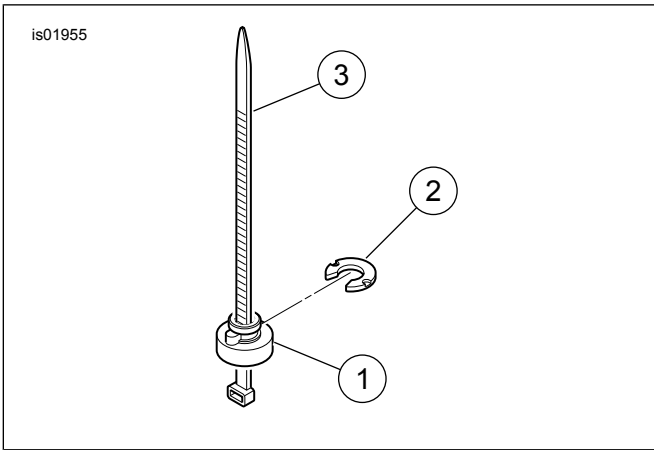


Figure 1. Installation Tool

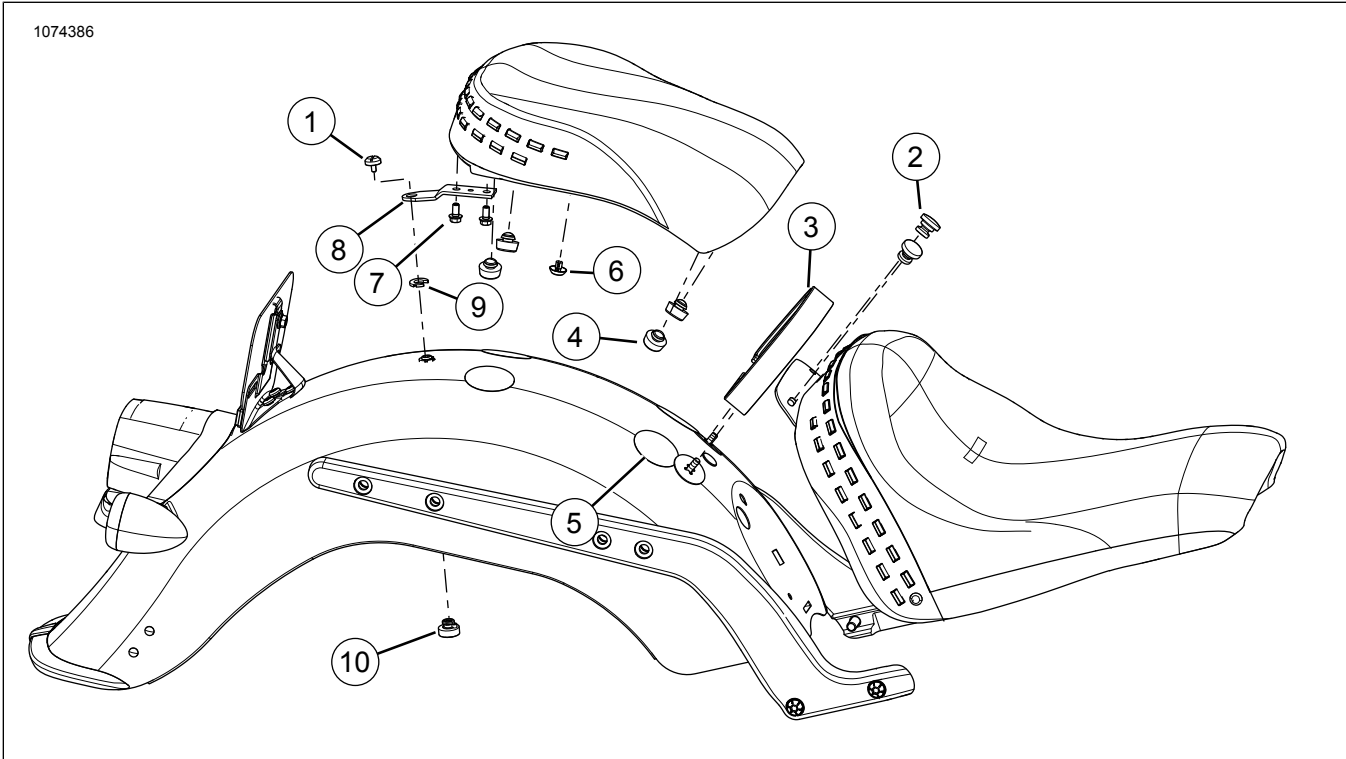


Figure 2. Service Parts: Sundowner Pillion Seat Kit

Table 1. Service Parts

Kit	Item	Description (Quantity)	Part Number
52400168 52400171	1	Rear pillion tab screw	3075
	2	Mushroom head nuts (2)	3633
	3	Grab strap	52400191
	4	Seat isolator (4)	11100174
	5	<b>Kit 52400168 only:</b> Protective tape (4)	11100176
	6	Plastic nut cap	762
	7	Flange screw (2)	3588
	8	Pillion mounting bracket	51652-97A
	11	Seat nut kit (not shown)	59768-97
	52400169	3	Grab strap
52400170	4	Seat isolator (5)	11100174
52400225	6	Plastic nut cap	762
		<b>Items mentioned in text, but not included in kit.</b>	
	2	Mushroom head nuts	3633

**Table 1. Service Parts**

<b>Kit</b>	<b>Item</b>	<b>Description (Quantity)</b>	<b>Part Number</b>
52400175	1	Rear pillion tab screw	3075
	2	Mushroom head nuts (2)	3633
	3	Grab strap	52400149
	4	Seat isolator (4)	11100174
	5	Protective tape (4)	11100176
	6	Plastic nut cap	762
	7	Flange screw (2)	3588
	8	Pillion mounting bracket	51652-97A
	9	Retention washer	7489A
	10	Retention nut	7488