



INSTRUCTIONS

J04114

2014-06-30



H-D DETACHABLES SOLO RACK

GENERAL

Kit Number

53048-06A

Models

For model fitment information, see the P&A retail catalog or the Parts and Accessories section of www.harley-davidson.com (English only).

Installation Requirements

Separate purchase of extra parts or accessories may be required for proper installation of this H-D® Detachables Kit. See the P&A retail catalog or the Parts and Accessories section of www.harley-davidson.com (English only) for a list of required parts or accessories.

See Table 1. Front Docking Point Kit 53803-06 and bracket 53805-99 (included in this kit) must be installed before solo rack can be mounted. The Front Docking Point Kit 53803-06 can be purchased separately from any Harley-Davidson dealer.

Table 1. Models

| Kits | Models |
|-----------|---|
| 53048-06A | 97 and later FLHR/I, FLHRS/I, FLHX, FLHT with solo seat and docking hardware. |

⚠ WARNING

Rider and passenger safety depend upon the correct installation of this kit. If the procedure is not within your capabilities or you do not have the correct tools, have a Harley-Davidson dealer perform the installation. Improper installation of this kit could result in death or serious injury. (00308b)

Kit Contents

Table 2. Kit Contents

| Description (Quantity) | Part Number |
|------------------------|---------------------|
| Solo Rack | Not Sold Separately |
| Bracket (2) | 53805-99 |
| Latch Assembly (2) | 50300108 |

⚠ WARNING

Do not exceed luggage rack weight capacity. Too much weight can cause loss of control, which could result in death or serious injury. (00373a)

NOTE

Luggage Rack capacity is 10 lbs.

INSTALLATION

- See Figure 1 and Figure 2. Properly position the front and rear docking points. Install bracket (1) on each side as shown.

NOTE

There is a slight bend in the bracket. The bracket bends away from the frame. The rear bracket hole is larger in diameter than the front bracket hole.

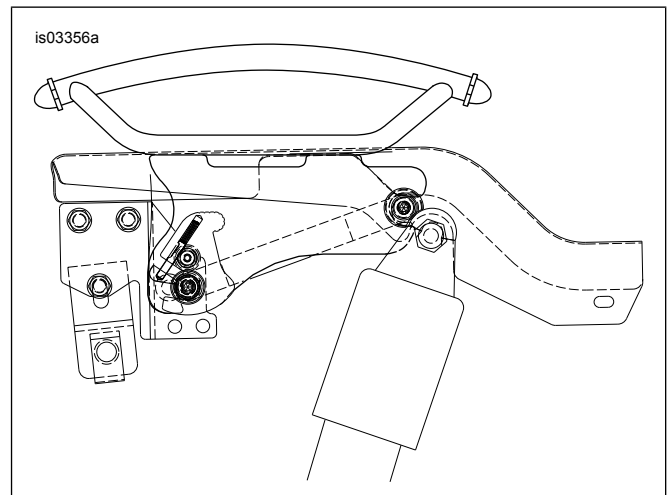
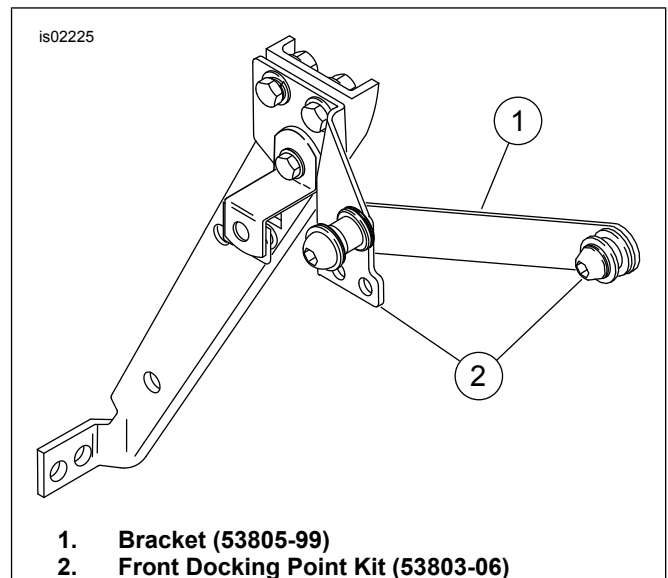


Figure 1. H-D Detachables Solo Rack



- Bracket (53805-99)
- Front Docking Point Kit (53803-06)

Figure 2. Front Docking Point Kit and Bracket

- See Figure 3. While standing behind the motorcycle, place the front backrest notches into the front docking points. Make sure the notches seat fully into the front docking points.

NOTE

See Figure 4. For 1997 and later FL models, rotate the front docking points to touch the back side of the rear shock.

NOTE

Rear docking points may be damaged if rotary latches and side plates are not properly aligned. If the latch does not easily close, do not force. Check alignment as described in Step 3.

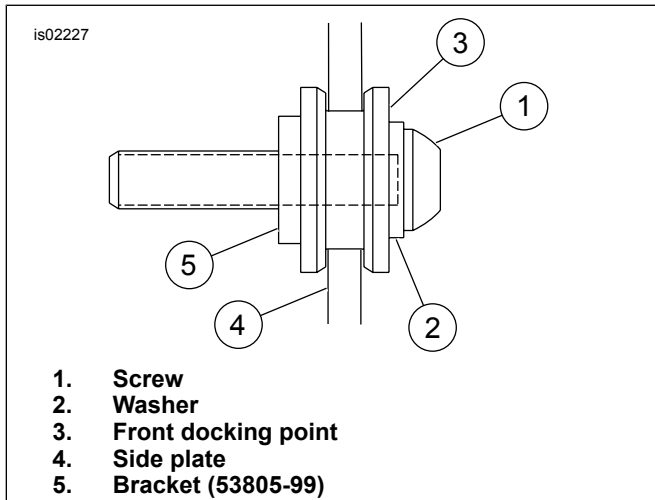


Figure 3. Side Plate and Front Docking Point Fully Engaged

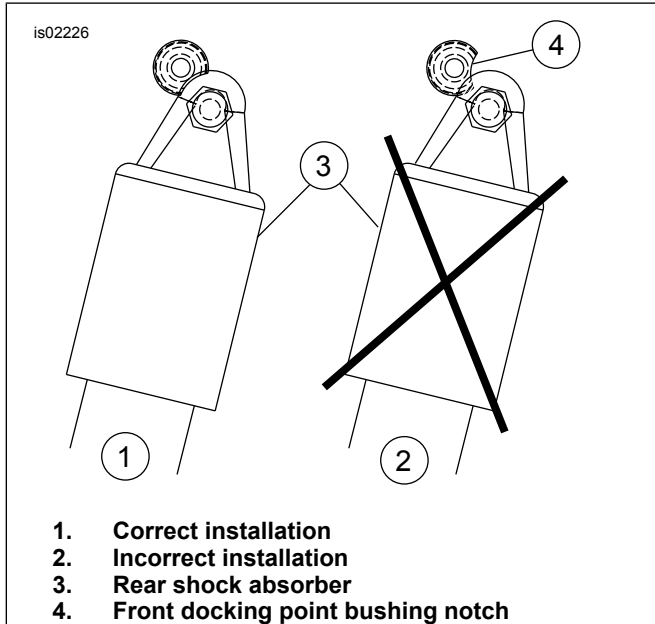


Figure 4. Position of Front Docking Point Notch

- See Figure 5 and Figure 6. Position the latches over the rear docking points. Check the latches fit into the neck of the rear docking points as shown. This may require some gentle squeezing or spreading of the side plates.

- Push the rear of the side plates downward and close the latches by pressing the latch lever as far forward as it goes. You hear a **CLICK** when the latch is in place. **If the latch does not easily close, do not force.** Recheck alignment as described in Step 3.

NOTE

You must hear a **CLICK** to verify that the latch is completely in engaged.

The front and rear docking points must be fully engaged. See Figures 3 through 6 for correct engagement. If docking points are not fully engaged, it could shift position or come loose during operation.

- See Figure 5. To remove side plates, press the release button on each side. Pull the latch levers back. Carefully lift the rear of the side plates up. Pull the side plates out of the front docking points.

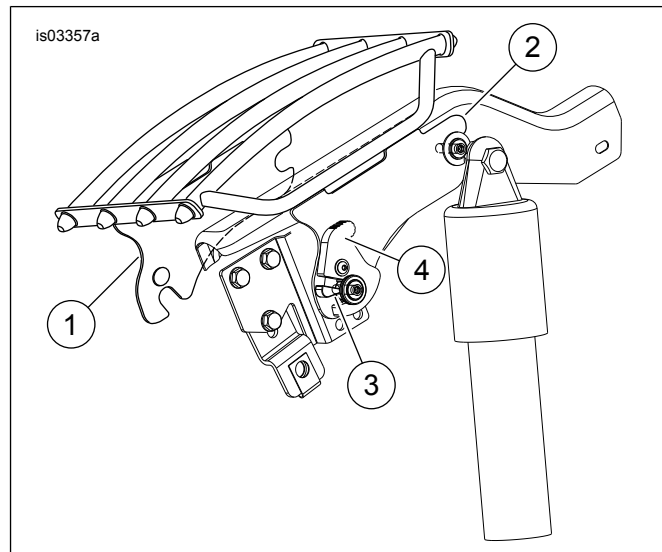
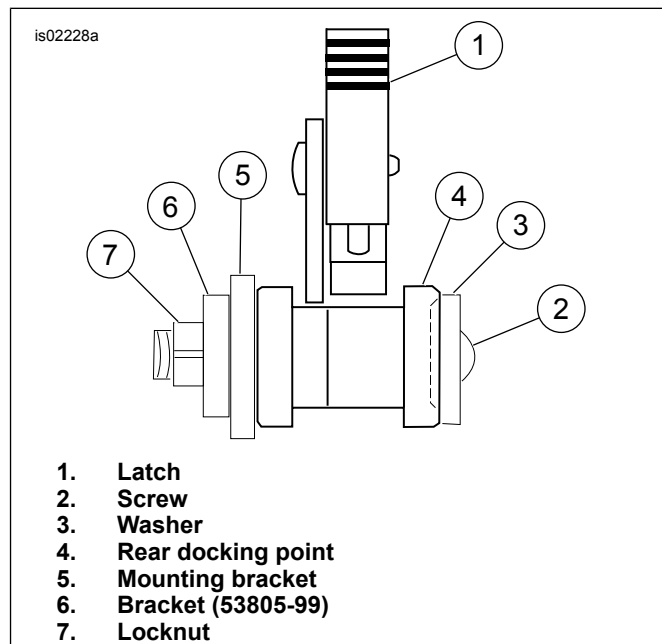


Figure 5. Installed Solo Rack and Hardware



- Latch
- Screw
- Washer
- Rear docking point
- Mounting bracket
- Bracket (53805-99)
- Locknut

Figure 6. Rear Docking Point Latch Alignment