



INSTRUCTIONS

J02301

2021-08-02



SWINGARM PIVOT BOLT COVERS

Table 1. General Information

Kits	Suggested Tools	Skill Level ⁽¹⁾
48893-01, 48894-02, 47647-09, 47500047	Safety Glasses	

(1) Only simple tools and techniques required

KIT CONTENTS

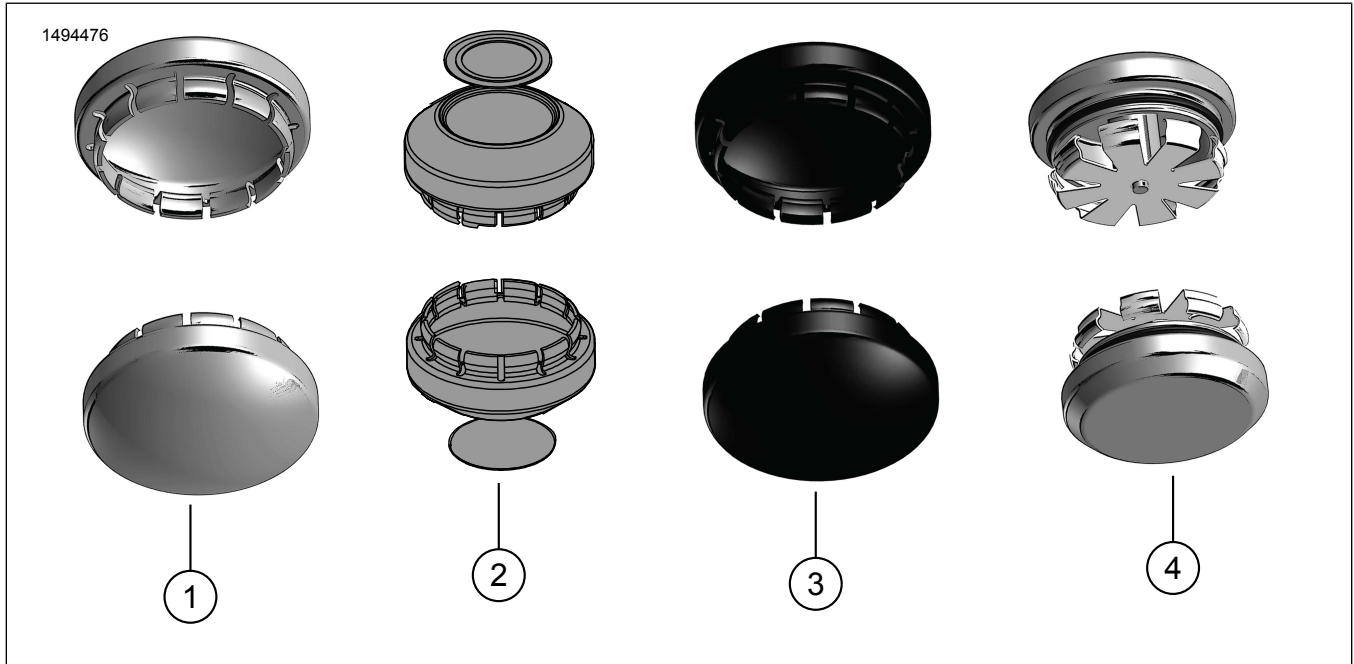


Figure 1. Kit Contents: Swingarm Pivot Bolt Covers

Table 2. Kit Contents: Swingarm Pivot Bolt Covers

<input checked="" type="checkbox"/>	Item	Qty	Description	Part No.	Notes
<input type="checkbox"/>	1	1	Bolt covers, swingarm pivot (chrome)	48893-01	
<input type="checkbox"/>	2	1	Bolt covers, swingarm pivot (chrome w/insert)	48894-02	
<input type="checkbox"/>	3	1	Bolt covers, swingarm pivot (gloss black)	47647-09	
<input type="checkbox"/>	4	1	Bolt covers, swingarm pivot	47500047	

NOTE

Verify all contents are present in the kit before installing or removing items from vehicle.

GENERAL

Models

For model fitment information, please see the P&A Retail Catalog or the Parts and Accessories section of www.harley-davidson.com (English only).



Ensure you are using the most current version of the instruction sheet which is available at: www.harley-davidson.com/isheets

Contact Harley-Davidson Customer Support Center at 1-800-258-2464 (U.S. only) or 1-414-343-4056.

Installation Requirements

⚠ WARNING

Rider and passenger safety depend upon the correct installation of this kit. If the procedure is not within your capabilities or you do not have the correct tools, have a Harley-Davidson dealer perform the installation. Improper installation of this kit could result in death or serious injury. (00308b)

INSTALL

1. Place a swingarm pivot-bolt cover in position over a swingarm pivot.

NOTE

For kit 48894-02, orient engraved insert pattern to desired position. After installation, rotate cover to adjust insert pattern.

2. Firmly press cover into place with your hand.

3. Repeat steps 1 and 2 for opposite side.

NOTE

Do not use a hammer to install swingarm pivot-bolt cover. Installation with a hammer could damage cover. If installation is difficult, bend inner tabs inward slightly, then press cover into place.

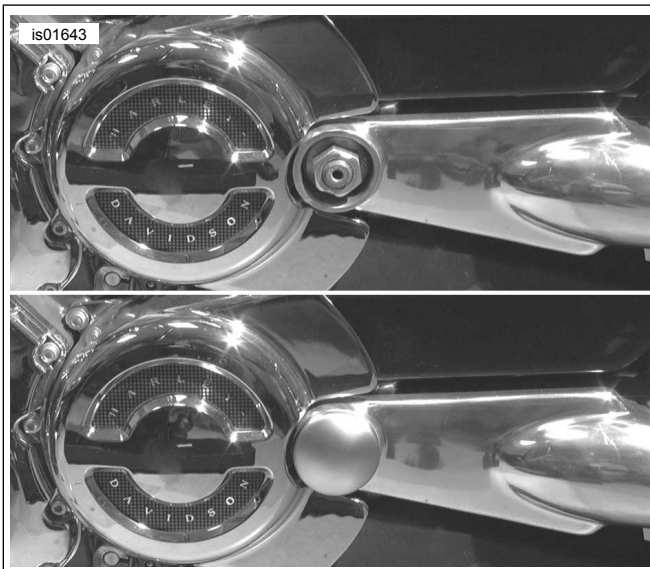


Figure 2. Swingarm Pivot-Bolt Cover Installation Before (Above) and After (Below)

NOTE

For cover removal, use a blade to pry cover from swingarm and to prevent damage to cover.