



# INSTRUCTIONS

94100239


2024-06-19



## MILWAUKEE-EIGHT FAN ASSISTED OIL COOLER KIT

### GENERAL INFORMATION

Table 1. General Information

Kits	Suggested Tools	Skill Level <sup>(1)</sup>
26800195	Safety Glasses, Torque Wrench, Digital Technician II (DT II)	 3 Dark wrench
<i>(1) DTII and dealer installation required</i>		

### KIT CONTENTS

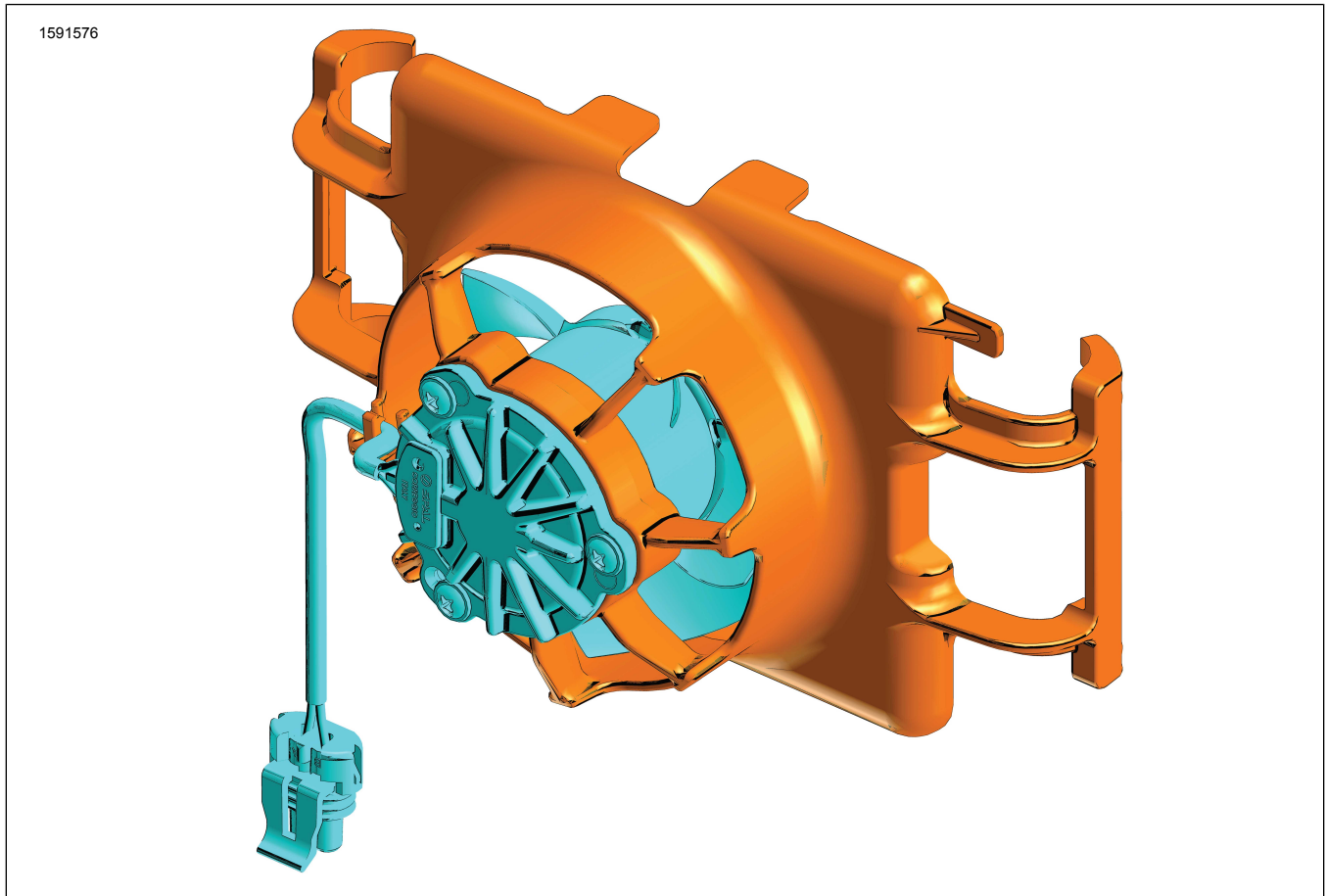


Figure 1. Kit Contents: Milwaukee-eight Fan Assisted Oil Cooler Kit

Table 2. Kit Contents: Milwaukee-eight Fan Assisted Oil Cooler Kit

Verify that all contents are present in the kit before installing or removing items from vehicle.					
<input checked="" type="checkbox"/>	Item	Qty	Description	Part No.	Notes
<input type="checkbox"/>		1	Oil cooler fan	Not sold separately	

### GENERAL

Instruction sheet is also available electronically. To verify you are using the most current version available, do one of the following:

- Go to [h-d.com/isheets](http://h-d.com/isheets)
- Scan QR code in upper left corner of the instruction sheet

#### NOTE

This instruction sheet **may have a Supplemental Video** to assist installer in clarifying a certain part of the assembly. A linked video would be located at the end of this instruction sheet.

## Models

For model fitment information, see the Parts and Accessories (P&A) Retail Catalog or the Parts and Accessories section of [www.harley-davidson.com](http://www.harley-davidson.com).

Contact Harley-Davidson Customer Support Center at 1-800-258-2464 (U.S. only) or 1-414-343-4056.

## Installation Requirements

### ▲ WARNING

Rider and passenger safety depend upon the correct installation of this kit. Use the appropriate service manual procedures. If the procedure is not within your capabilities or you do not have the correct tools, have a Harley-Davidson dealer perform the installation. Improper installation of this kit could result in death or serious injury. (00333b)

#### NOTE

This instruction sheet references service manual information. A service manual for the year and model motorcycle is required for this installation and is available from:

- A Harley-Davidson dealer.
- H-D Service Information Portal, a subscription-based access available for most 2001 and newer models. For more information see *Frequently ask questions about subscriptions*.

These items are available at your local Harley-Davidson dealership.

DIGITAL TECHNICIAN II (PART NUMBER: HD-48650)

- Kit requires Electronic Control Module (ECM) recalibration. Contact a Harley-Davidson dealership.

## PREPARE

1. Remove main fuse. See service manual.

## REMOVE

1. Remove oil cooler cover. See service manual.
2. See Figure 2. Remove screws (1).

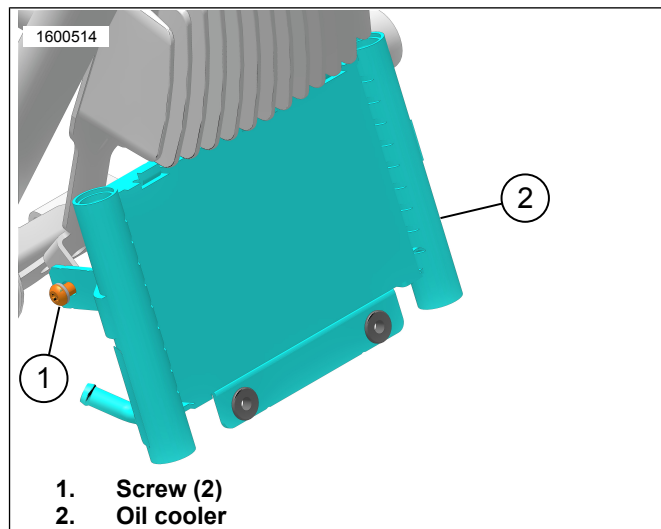


Figure 2. Oil Cooler Screws

## INSTALL

1. See Figure 3. Install oil cooler fan (2) to oil cooler (1).
  - a. Rotate and lift oil cooler assembly.
2. Install fan assisted oil cooler assembly to vehicle.
  - a. See Figure 2. Install and tighten screws (1).  
Torque: 11–13.5 N·m (97–119 in-lbs)
3. See Figure 3. Connect oil cooler fan connector (3) to vehicle harness (1). See Figure 4.
4. Install oil cooler cover. See service manual.

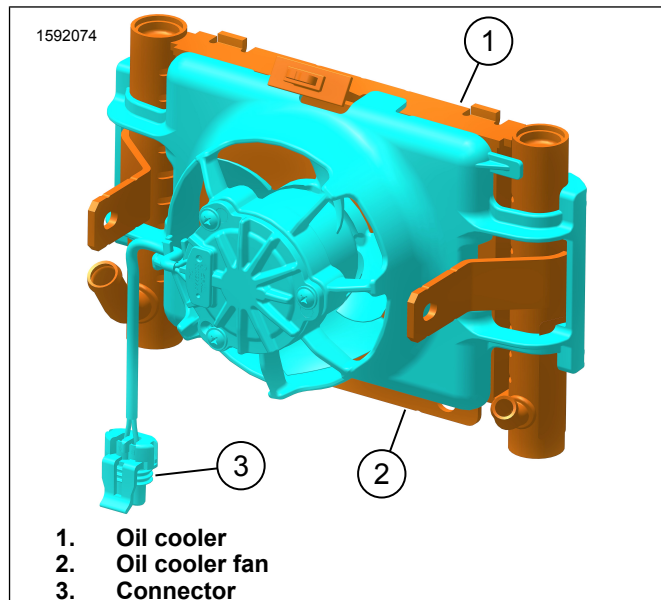
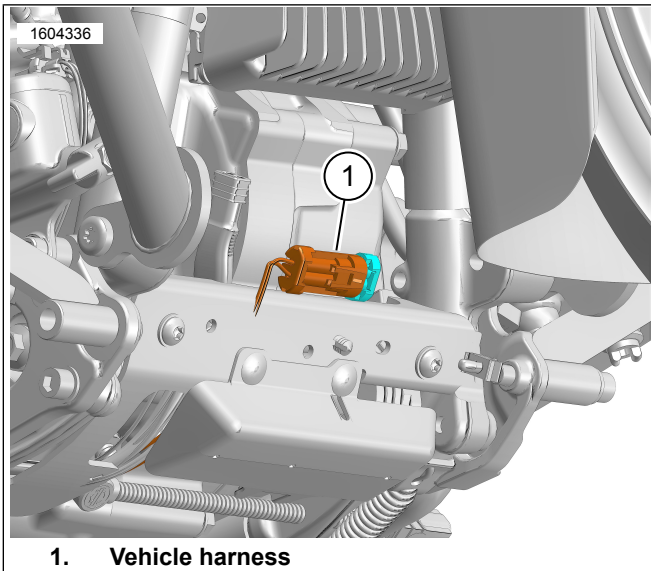


Figure 3.



**Figure 4. Vehicle Harness**

## **COMPLETE**

1. Install main fuse. See service manual.
2. Calibrate ECM using special tool. See Harley-Davidson dealer.  
Special Tool: DIGITAL TECHNICIAN II (HD-48650)