



INSTRUCTIONS

J07064

2024-07-17



COOLFLOW™ FAN KIT

GENERAL

Kit Number

26800120, 26800121, 26800128

Models

For model fitment information, see the P&A Retail Catalog or the Parts and Accessories section of www.harley-davidson.com (English only).

Installation Requirements

Installation of this kit requires programming with Digital Technician II to enable the fan. See a Harley-Davidson dealer.

When other accessories are installed to the main harness, an optional Switched Circuit Adapter Harness (part number 69201706) should be used in conjunction with this kit.

⚠ WARNING

Rider and passenger safety depend upon the correct installation of this kit. Use the appropriate service manual procedures. If the procedure is not within your capabilities or you do not have the correct tools, have a Harley-Davidson dealer perform the installation. Improper installation of this kit could result in death or serious injury. (00333b)

NOTE

This instruction sheet references service manual information. A service manual for your model motorcycle is required for this installation. One is available from a Harley-Davidson Dealer.

Kit Contents

See Figure 7 and Table 1.

PREPARE

⚠ WARNING

When installing any electrical accessory, be certain not to exceed the maximum amperage rating of the fuse or circuit breaker protecting the affected circuit being modified. Exceeding the maximum amperage can lead to electrical failures, which could result in death or serious injury. (00310a)

NOTE

Running amperage should be 4 A.

1. Remove seat. See service manual.
2. Remove right side cover. See service manual.

3. Remove right side mid-frame deflector, if equipped. See service manual.
4. Remove top caddy. See service manual.
5. Remove battery. See service manual.
6. Remove charcoal canister, if equipped. See service manual.
7. See Figure 1. Locate fan connector (1) and unplug.

8. NOTE

- *When repositioned, right spark plug wire boots (3) on coil pack should be facing toward left side of vehicle.*
- *See Table 1. There are holes in frame to support the use of Christmas tree cable straps (12) to help properly route a wire harness or secure spark plug wires.*
- *When routing spark plug wires (2) make sure there is enough clearance between the frame and engine assembly.*

See Figure 1. Reposition right side spark plug wire boots.

- a. Remove cable straps from wires and frame.
- b. Rotate top spark plug boot (3) toward left side of vehicle.
- c. Rotate bottom spark plug boot (3) toward left side of vehicle.
- d. Reroute wires. Install cable straps (2) as needed.

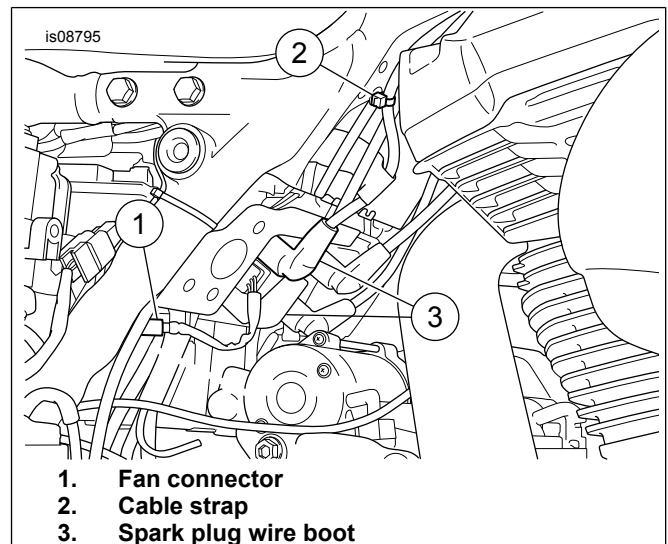


Figure 1. Fan Connector

INSTALLATION

1. See Figure 7. If previously equipped, install new mid-frame deflector (13).
2. See Figure 2.. Position fan assembly. From within battery tray area, install screws (1), lockwasher (2) and flatwashers (3). Tighten to:

Torque: 16.3 N·m (12.0 ft-lbs)

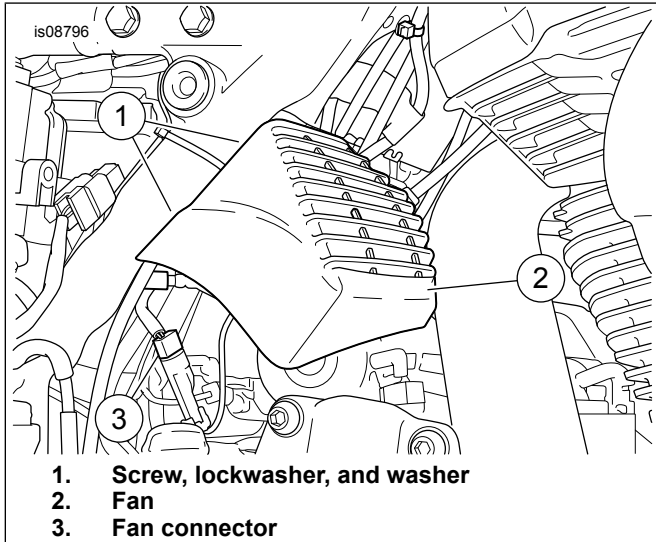


Figure 2. Position the Fan

3. **Air-Cooled engine only:** Install rear oil line hose cover.
 - a. See Figure 3. Reposition plug wire(s), if needed.
 - b. Release upper oil line hose spring clamp (1) and remove upper oil line hose only from head.
 - c. Remove oil line hose spring clamp (1) from hose.
 - d. Insert cover over rear oil line hose (2). Position cover 25.4 mm (1 in) from upper spring clamp on rear oil line hose.
 - e. Install spring clamp onto oil line hose and install oil line hose onto head.
 - f. With spring clamp loose, rotate hose for maximum clearance between fan housing and oil line hose cover (3).

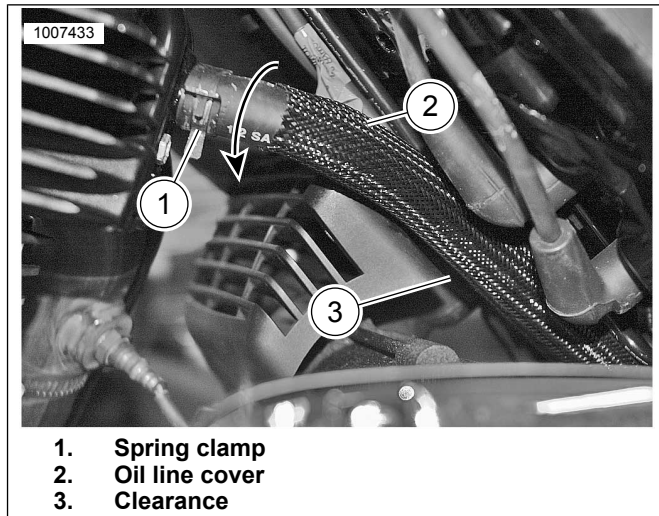


Figure 3. Rear Oil Line Cover

4. **NOTE**
See Figure 5. Install optional Switched Circuit Adapter Harness if more than one accessory must be connected between vehicle P&A connector (1) and fan relay harness connector (2).

See Figure 4 and Figure 5. Connect harness connectors.

- a. Connect vehicle P&A connector (1) to fan relay harness connector (2).
- b. Connect fan connector to fan relay harness connector (3).
- c. Connect fan relay harness switch circuit connector (3) to vehicle connector (A).
- d. Secure harnesses with cable straps provided.

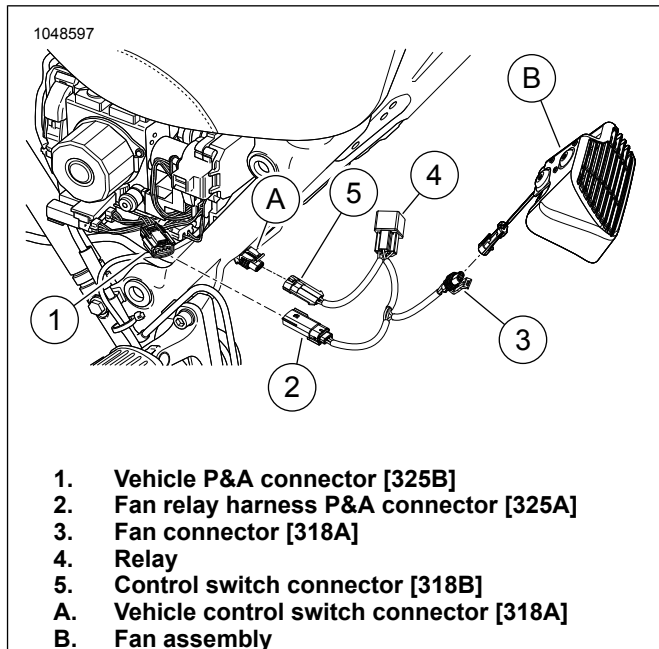
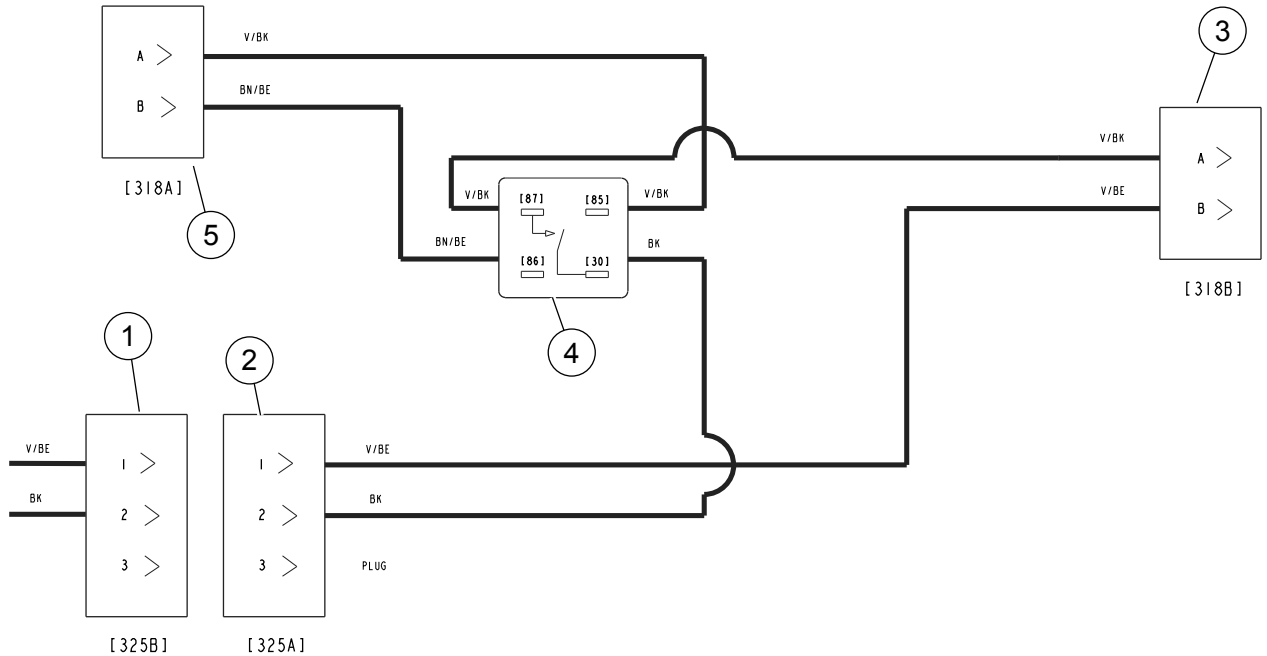


Figure 4. Harness Connectors



1. Vehicle P&A connector [325B]
2. Fan relay harness P&A connector [325A]
3. Control switch connector [318B]
4. Relay
5. Fan connector [318A]

Figure 5. Thermal Comfort Fan Wiring Diagram

5. See Figure 7. **Non-Fairing Switch Location:** Install fan switch (10).
 - a. See Figure 6. Install nut (8), label (9), and switch (10) in right access hole.
 - b. Plug harness, which is located under headlamp nacelle, to switch (10). See service manual.
 - c. **FLRT:** Connector [205] is located under fuel tank in wire caddy. See service manual.

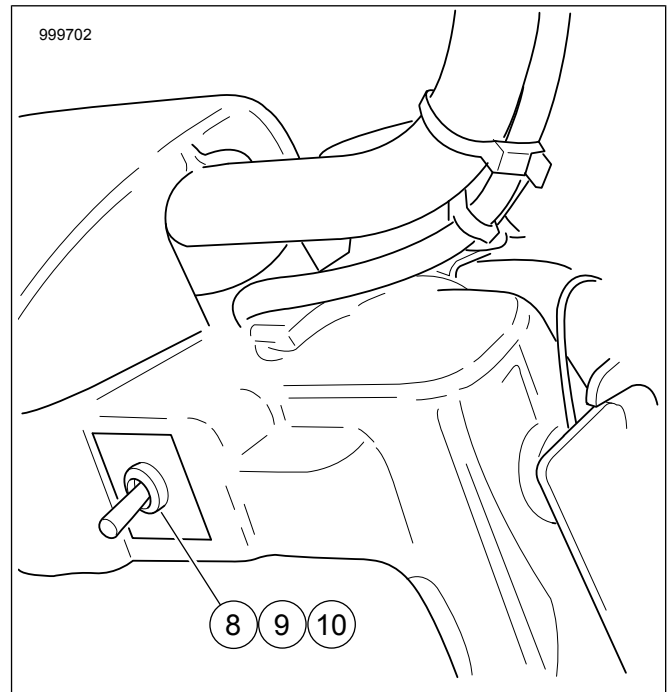


Figure 6. Non-Fairing Switch Location

6. See Figure 7. **Fairing Switch Location:** Install fan switch (5).
 - a. If equipped, remove left hole plug and discard. See service manual.
 - b. If already installed, remove left switch module. See service manual.

- c. Install fan switch (5) in far right location in switch module (6).
 - d. Add switch blanks (7) in switch module, as needed.
 - e. Install switch module. See service manual.
7. Install charcoal canister, if equipped. See service manual.
 8. Install battery. See service manual.
 9. Install top caddy. See service manual.
 10. Install right side cover.
 11. Install seat. After installing seat, pull up on seat to verify that it is secure. See service manual.
 12. Enable fan using Digital Technician II.
 13. Perform operations check on fan switch.

Operation

NOTE

Verify that fan is turned OFF before starting engine. Under certain circumstances, an errant diagnostic trouble code may be set if engine is started with fan in the ON or Auto settings. Clear the code.

Fan can be switched to Off/On/Auto operation.

- **ON setting:**

- Fan is ON when engine is running.
- Fan is OFF when engine is not running.

- **AUTO setting:** Fan operates based on a combination of vehicle speed, engine temperature and ambient air temperature.

- **Vehicles with Ambient Air Sensors**

- i. Fan runs at speeds below 64 km/h (40 mph) when engine temperature is above 95 °C (203 °F) and ambient air temperature is above 15 °C (59 °F).
- ii. Fan runs at speeds below 64 km/h (40 mph) when engine temperature is above 215 °C (419 °F) and ambient air temperature is below 15 °C (59 °F).
- iii. Fan turns off if vehicle speed exceeds 72 km/h (45 mph) or if engine temperature goes below this temperature 202 °C (395 °F).

- **Vehicles without Ambient Air Sensors**

- i. Fan runs at speeds below 64 km/h (40 mph) when engine temperature is above 95 °C (203 °F).
- ii. Fan turns off if vehicle speed exceeds 72 km/h (45 mph) or if engine temperature goes below this temperature 82 °C (179 °F).

SERVICE PARTS

999562

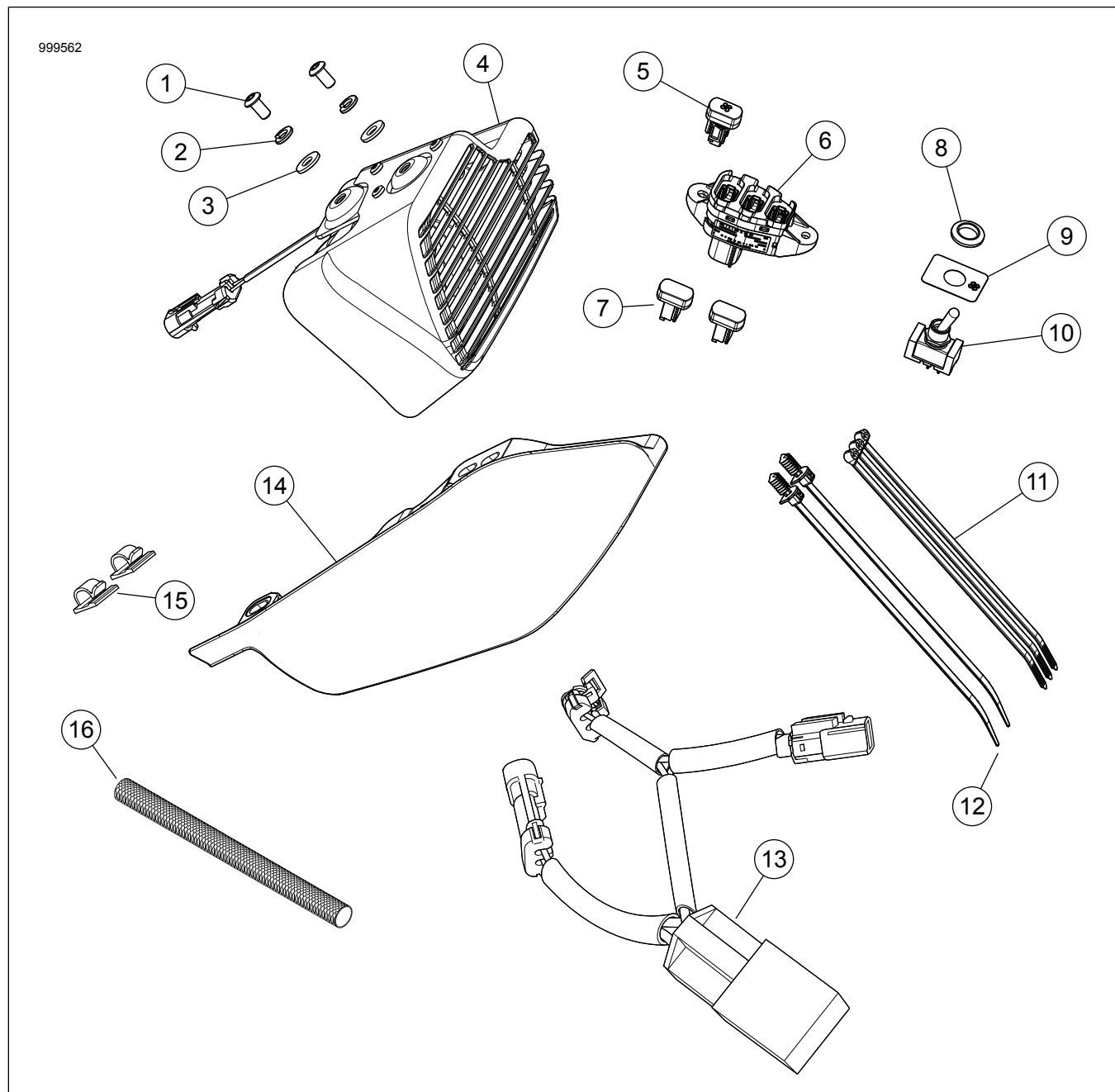


Figure 7. Service Parts: Fan Kit

Table 1. Service Parts Table

Kit	Item	Description	QTY	Part Number
Kit 26800120	1	Screw, button head	2	4365
	2	Lockwasher	2	7036
	3	Washer, flat	2	6703
	4	Fan assembly	1	26800096
	5	Switch, fan, momentary	1	71400121
	6	Switch module	1	69200173
	7	Switch, dash, blank	2	71400031
	11	Cable strap	3	10006
	12	Cable strap	2	10287
	13	Harness, thermal comfort fan with relay	1	69201705
	15	Clip, spark plug	2	10120
	16	Cover, oil line	1	62700220

Table 1. Service Parts Table

Kit	Item	Description	QTY	Part Number	
Kit 26800121	1	Screw, button head	2	4365	
	2	Lockwasher	2	7036	
	3	Washer, flat	2	6703	
	4	Fan assembly	1	26800096	
	8	Nut, satin chrome	1	74408-08A	
	9	Label, fan switch	1	1400100	
	10	Switch, fan, momentary	1	71400122	
	11	Cable strap	3	10006	
	12	Cable strap	2	10287	
	13	Harness, thermal comfort fan with relay	1	69201705	
	15	Clip, spark plug	2	10120	
	16	Cover, oil line	1	62700220	
	Kit 26800128	1	Screw, button head	2	4365
		2	Lockwasher	2	7036
		3	Washer, flat	2	6703
		4	Fan assembly	1	26800096
5		Switch, fan, momentary	1	71400121	
11		Cable strap	3	10006	
12		Cable strap	2	10287	
13		Harness, thermal comfort fan with relay	1	69201705	
14		Deflector, mid-frame	1	57200151	
15		Clip, spark plug	2	10120	
16		Cover, oil line	1	62700220	