



INSTRUCTIONS

94100231

2023-01-09



UNIVERSAL PHONE CARRIER PLUS HANDLEBAR MOUNT

GENERAL INFORMATION

Table 1. General Information

Kits	Suggested Tools	Skill Level ⁽¹⁾
76001072, 76001340	Safety Glasses, Torque Wrench, Isopropyl alcohol	
<i>(1) Tightening to torque value or other moderate tools and techniques required</i>		

KIT CONTENTS

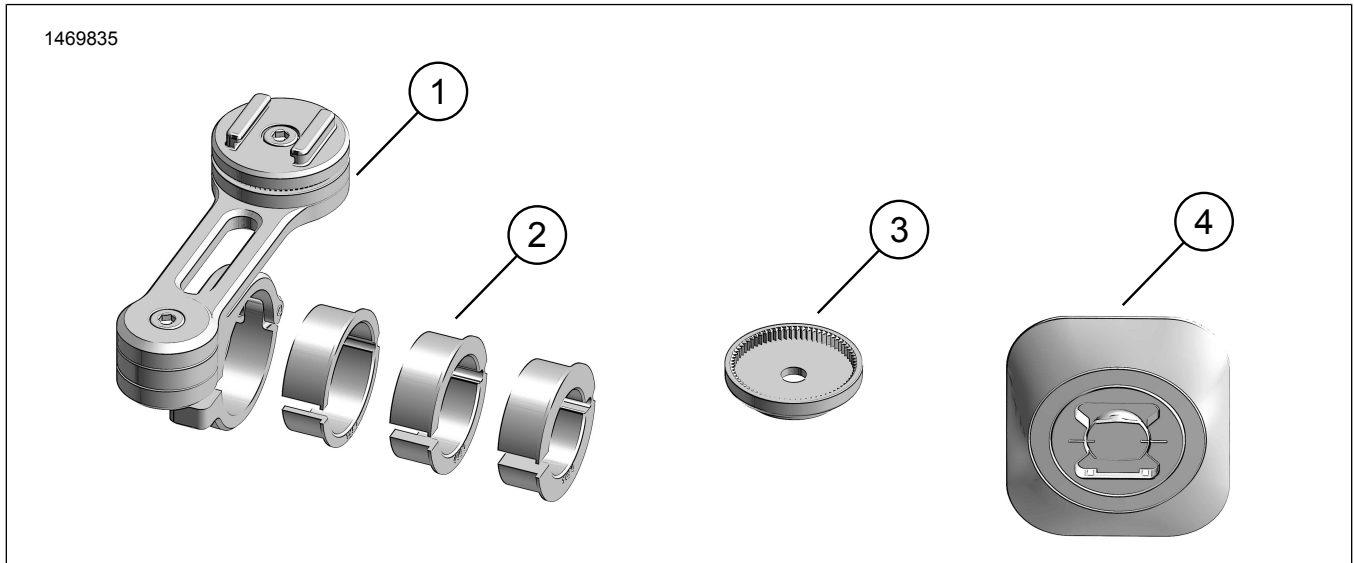


Figure 1. Kit Contents: Universal Phone Carrier w/ Handlebar Mount

Table 2. Kit Contents: Universal Phone Carrier w/ Handlebar Mount

Verify that all contents are present in the kit before installing or removing items from vehicle.					
<input checked="" type="checkbox"/>	Item	Qty	Description	Part No.	Notes
<input type="checkbox"/>	1	1	Handlebar mount	Not sold separately	
<input type="checkbox"/>	2	1	Shim, 7/8 inch	Not sold separately	
<input type="checkbox"/>			Shim, 1 inch	Not sold separately	
<input type="checkbox"/>			Shim, 1 1/8 inch	Not sold separately	
<input type="checkbox"/>	3	1	Adapter, mount arm removal	Not sold separately	
<input type="checkbox"/>	4	1	Universal interface	76001081	

GENERAL

Models

For model fitment information, see the Parts and Accessories (P&A) Retail Catalog or the Parts and Accessories section of www.harley-davidson.com.

Verify that the most current version of the instruction sheet is used. It is available at: h-d.com/isheets

Contact Harley-Davidson Customer Support Center at 1-800-258-2464 (U.S. only) or 1-414-343-4056.

Installation Requirements

▲ WARNING

Rider and passenger safety depend upon the correct installation of this kit. Use the appropriate service manual procedures. If the procedure is not within your capabilities or you do not have the correct tools, have a Harley-Davidson dealer perform the installation. Improper installation of this kit could result in death or serious injury. (00333b)

NOTE

This instruction sheet references service manual information. A service manual for the year and model motorcycle is required for this installation and is available from:

- A Harley-Davidson dealer.
- H-D Service Information Portal, a subscription-based access available for most 2001 and newer models. For more information see *Frequently ask questions about subscriptions*.

INSTALL

Universal Handlebar Mount

1. Figure 1 Install handlebar mount (1).

NOTE

If handlebar is 1 1/4 inch, shim is not required.

- a. Determine handlebar size.
- b. If needed, select appropriate size shim (2).
- c. Figure 2 Remove screw (A) from handlebar mount (1).
- d. Insert shim (2).
- e. Figure 2 Install handlebar mount (1) with installed shim (2) to vehicle handlebar.
- f. Prior to tightening phone mount bolt (A), adjust clocking to enable viewing without obstructing functions of the motorcycle.
- g. Install screw (A). Tighten.
Torque: 6.78–7.9 N·m (60–70 in-lbs)

2. Figure 3 Loosen screw (B).

3. Adjust phone position.

4. Tighten screw (B).

Torque: 3.9–4.5 N·m (35–40 in-lbs)

5. Figure 3 Loosen screw (C).

6. Adjust phone clocking.

7. Tighten screw (C).

Torque: 1.58–1.92 N·m (14–17 in-lbs)

8. Figure 4 Alternate handlebar mount installation.

- a. Remove screw (B) and screw (C).

- b. Remove mount arm (2) from mounting clamp (1).

- c. Remove phone interface (3) from mount arm (2).

- d. Install adapter (3), phone interface (3) and screw (B). Tighten.

Torque: 3.9–4.5 N·m (35–40 in-lbs)

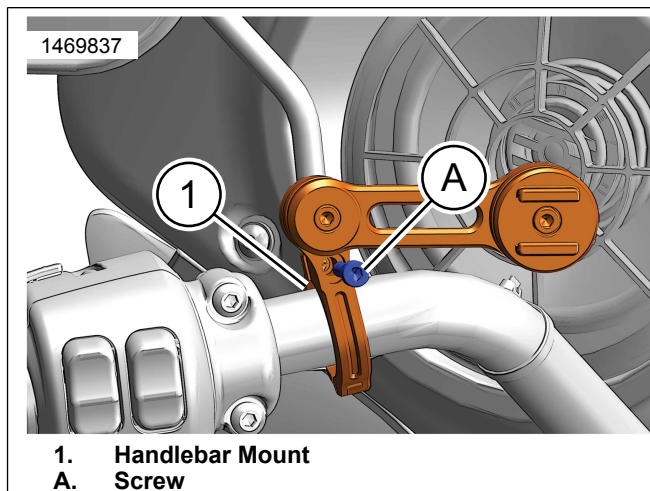


Figure 2. Phone Mount Install to Left Side Handlebar

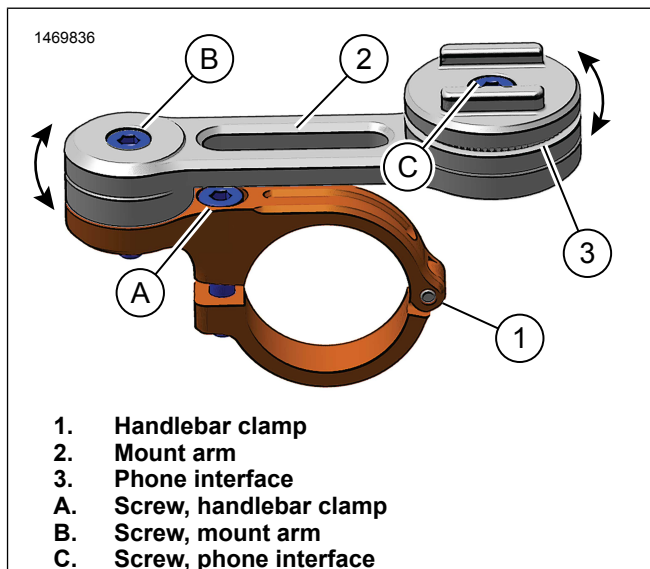


Figure 3. Pivot Points

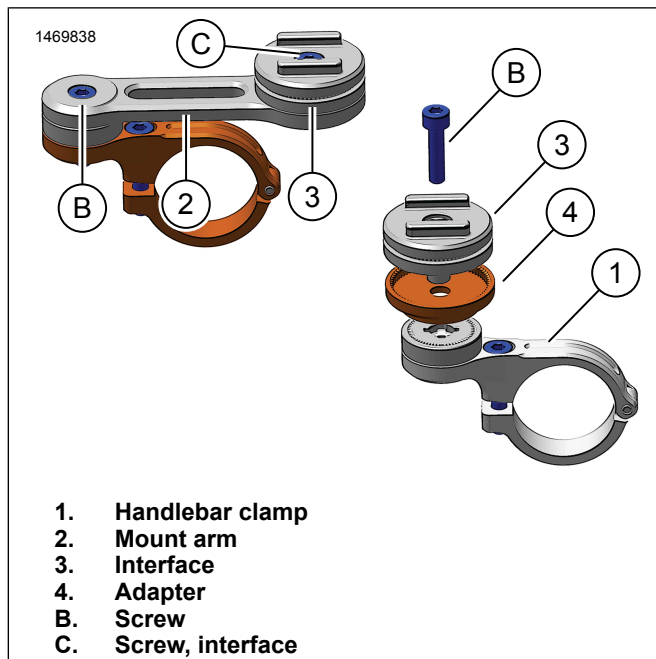


Figure 4. Handlebar Mount Options

Universal Interface

NOTE

- Contaminated or oily surfaces can cause improper adhesion and can result in loss or damage to phone.
- Some smart phones have non-stick or water resistant nano-particle coatings that repel the adhesive or have removable battery covers that could come loose.
- Adhesive will not adhere to rough, uneven surfaces.
- Smooth and non-porous surface areas of at least 2.16 in. (55mm) x 2.56 in. (65mm) is needed for interface to be placed on.

- Position adapter carefully. Adhesive mount cannot be re-used.
- It is the owner's responsibility to verify a good adhesive bond strength between phone case and universal interface.
- For more information on phone cases with interface built in and not requiring adhesive, go to www.harley-davidson.com and search for appropriate phone mount kit.

1. Figure 1 Install universal interface (4).
 - a. Clean phone case with isopropyl alcohol. Let dry before application of phone surface.
 - b. Apply adhesive at room temperature.
 - c. Apply firm pressure between universal interface and phone case for one minute.
 - d. Allow adhesive bond to cure for 48 hours before using universal interface to support phone.

Phone Install

1. Figure 5 Install phone to mount.
 - a. Align and insert tabs on phone interface to slots on phone case.
 - b. Turn phone a ¼ turn until phone settles into the next detent.

NOTE

Gently pull on phone to verify that it is properly installed and mount is locked

2. Adjust phone mount and phone orientation as needed for optimal access and viewing.

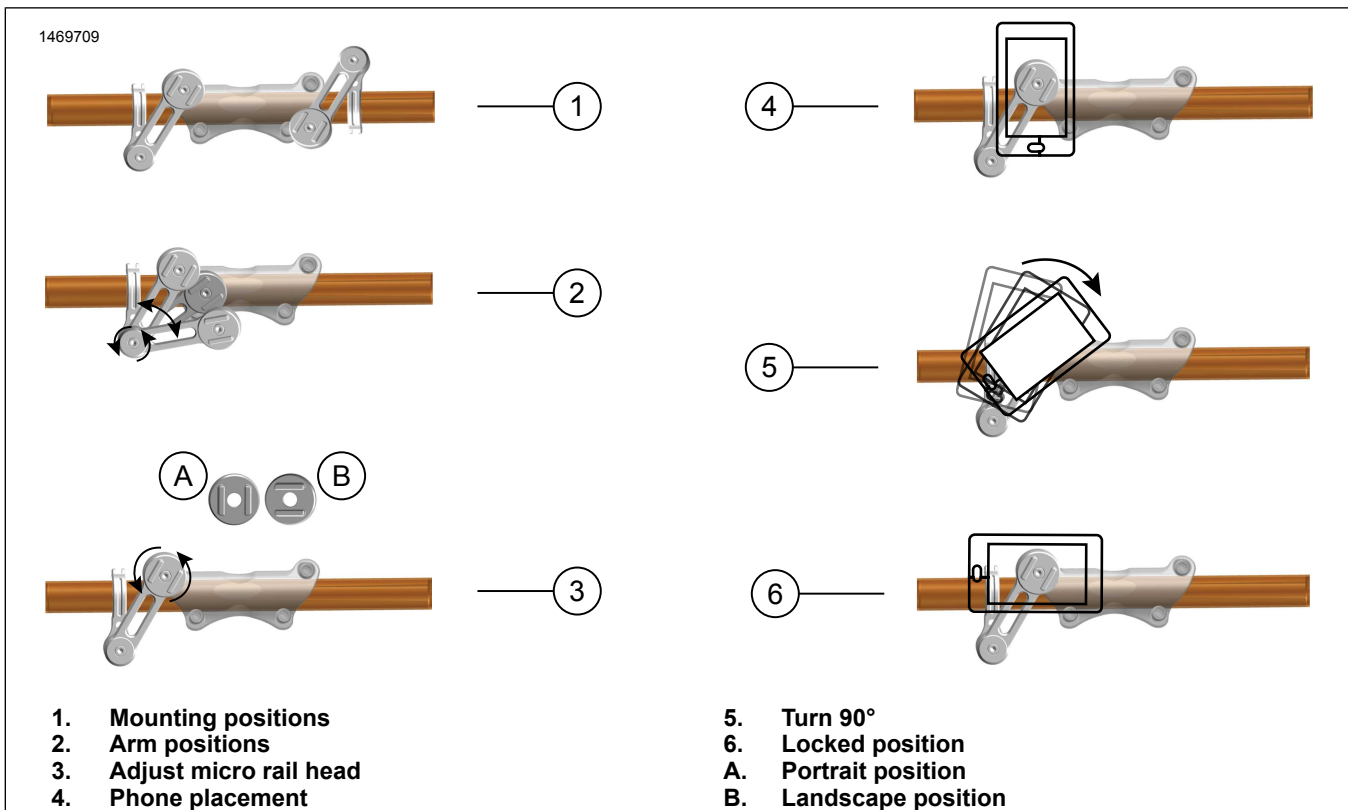


Figure 5. Phone Mount and Positioning Options

COMPLETE**▲ WARNING**

Be sure that steering is smooth and free without interference. Interference with steering could result in loss of vehicle control and death or serious injury. (00371a)

1. Turn handlebar lock to lock after installation to verify that the phone carrier and phone do not interfere with fairings, gas tank, cables, lines, hoses, wiring or other equipment.
2. Make sure that the phone does not obscure visibility of speedometer, hand controls, indicator lights or mirrors.