

Table 2. Kit Contents: Road Glide 3 Amplifier Installation Kit

Verify that all contents are present in the kit before installing or removing items from vehicle.					
<input checked="" type="checkbox"/>	Item	Qty	Description	Part No.	Notes
<input type="checkbox"/>	1	1	Cover, amplifier	76001362	
<input type="checkbox"/>	2	1	Mounting bracket, right	76001006	
<input type="checkbox"/>	3	4	Screw, button head	926	
<input type="checkbox"/>	4	4	Washer, flat	6036	
<input type="checkbox"/>	5	4	Screw, Hex cap	4702	
<input type="checkbox"/>	6	4	Mounting bracket, left	76001007	
<input type="checkbox"/>	7	1	Dual lock	76434-06	
<input type="checkbox"/>	8	1	Grommet	12100211	
<input type="checkbox"/>	9	1	Harness, amplifier	Not sold separately	
<input type="checkbox"/>	10	1	Fuse, 40 amp	72371-95	
<input type="checkbox"/>	11	1	Harness, dongle	Not sold separately	
Items mentioned					
<input checked="" type="checkbox"/>	A	1	[149B] Amplifier		
<input checked="" type="checkbox"/>	B	1	[319A] CAN		
<input checked="" type="checkbox"/>	C	1	[319B] CAN		
<input checked="" type="checkbox"/>	D	1	(B-) Battery wire		
<input checked="" type="checkbox"/>	E	1	(B+) Battery wire		
<input checked="" type="checkbox"/>	F	1	[43] Amplifier fuse holder		
<input checked="" type="checkbox"/>	G	1	[349B] Amplifier Input/Output		
<input checked="" type="checkbox"/>	H	1	[353B] Bluetooth dongle		
<input checked="" type="checkbox"/>	I	1	[299A] Accessory		
<input checked="" type="checkbox"/>	J	1	[299B] Accessory		
<input checked="" type="checkbox"/>	K	1	[22-1B] Right hand control		
<input checked="" type="checkbox"/>	L	1	[22-1A] Right hand control		
<input checked="" type="checkbox"/>	M	1	Pair switch		
<input checked="" type="checkbox"/>	N	1	Amplifier		

GENERAL

Models

For model fitment information, see the Parts and Accessories (P&A) Retail Catalog or the Parts and Accessories section of www.harley-davidson.com.

Verify that the most current version of the instruction sheet is used. It is available at: h-d.com/isheets

Contact Harley-Davidson Customer Support Center at 1-800-258-2464 (U.S. only) or 1-414-343-4056.

Electrical Requirements

⚠ WARNING

When installing any electrical accessory, be certain not to exceed the maximum amperage rating of the fuse or circuit breaker protecting the affected circuit being modified. Exceeding the maximum amperage can lead to electrical failures, which could result in death or serious injury. (00310a)

NOTICE

It is possible to overload the vehicle's charging system by adding too many electrical accessories. If the combined electrical accessories operating at any one time consume more electrical current than the vehicle's charging system can produce, the electrical consumption can discharge the battery and cause damage to the vehicle's electrical system. (00211d)

This amplifier requires up to 8 amps more current from the electrical system.

Installation Requirements

⚠ WARNING

Rider and passenger safety depend upon the correct installation of this kit. Use the appropriate service manual procedures. If the procedure is not within your capabilities or you do not have the correct tools, have a Harley-Davidson dealer perform the installation. Improper installation of this kit could result in death or serious injury. (00333b)

NOTE

This instruction sheet references service manual information. A service manual for the year and model motorcycle is required for this installation and is available from:

- A Harley-Davidson dealer.
- H-D Service Information Portal, a subscription-based access available for most 2001 and newer models. For more information see *Frequently ask questions about subscriptions*.

Download Harley-Davidson audio app.

Use this kit in conjunction with other **Harley-Davidson Audio powered by Rockford Fosgate® kits**.

These items are available at a Harley-Davidson dealership:

- Separate purchase of Harley-Davidson Audio powered by Rockford Fosgate - Amplifier 400W 4-Channel (Primary) (Part No. 76000997) is required for installation.
- Separate purchase of Harley-Davidson Audio powered by Rockford Fosgate Stage I & II Speaker Kit - Frame Mounted Fairing (Part No. 76000982 And 76000983) is required for installation.
- Separate purchase of Harley-Davidson Audio powered by Rockford Fosgate Fairing Speaker Harness Install Kit (Part No. 76000992) is required for installation.

PREPARE

1. Remove seat. See service manual.

2. Remove side covers. See service manual.
3. Remove main fuse. See service manual.
4. Remove fuel tank. See service manual.
5. Remove outer fairing. See service manual.
6. Remove headlight assembly. See service manual.
7. Remove trunk liner. See service manual.
8. Remove body and place on protective pad. See service manual.

TRUNK

1. Figure 2 Remove and discard screws (1) and cover plate (2).

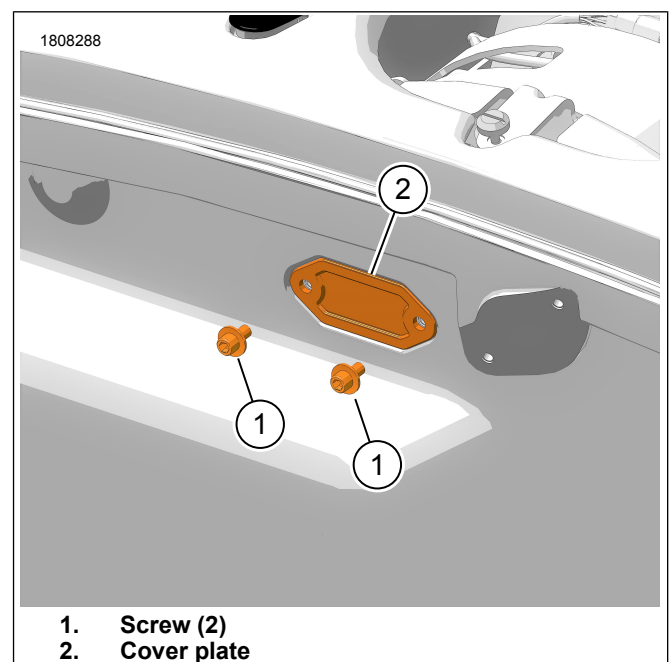


Figure 2. Cover Plate

2. Figure 3 Enlarge opening to fit grommet.
 - a. Using a marker, outline opening 1.4375 in. (36.5 mm) (1) x 2.00 in. (50.8 mm) (2).
 - b. Use an appropriate cutting tool.
 - c. Deburr opening.

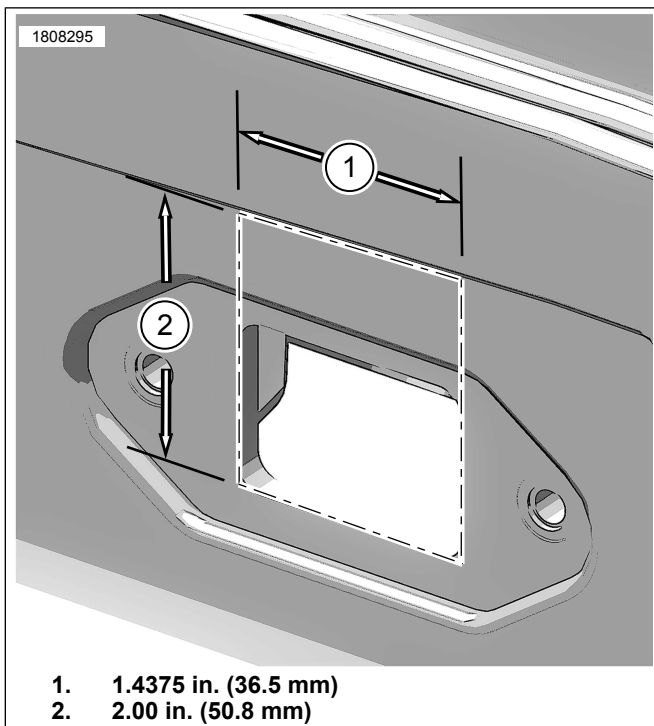


Figure 3. Grommet Cutout Dimensions

3. Figure 4 Drill holes in trike body.

NOTE

If it is desired to install the liner with the amplifier, it will be necessary to modify the liner to fit over the amplifier and cover.

- a. From left inner trunk wall, mark first vertical dimension: 1.625 in. (41 mm) (1).
- b. From bottom of trunk floor, mark first horizontal dimension: 4.00 in. (102 mm) (4).

NOTE

Make sure measurements are concise and square.

- c. Mark 3.75 in. (95 mm) (3) x 10.00 in. (254 mm) (2) dimensions.
- d. Drill four 5/16 in. (8 mm) (5) holes.
- e. Deburr holes.

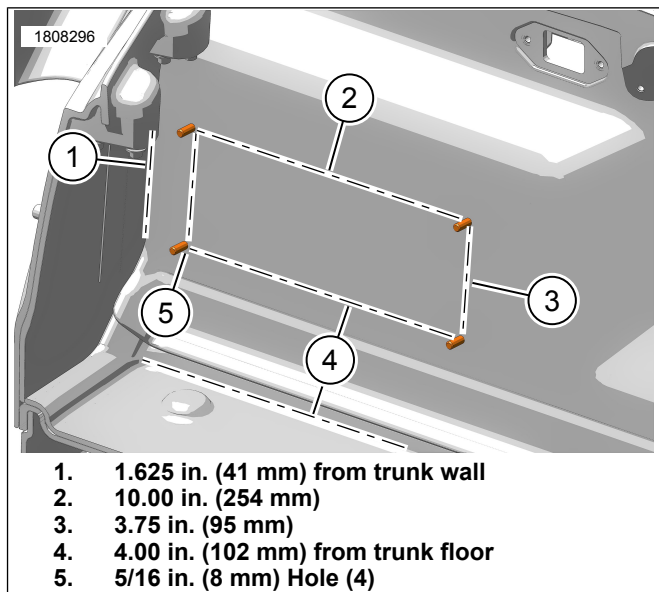


Figure 4. Amplifier Mounting Hole Dimensions

4. Prepare trunk liner.
 - a. Install liner in trunk.
 - b. Mark rear of liner using the four holes made in step 3.
 - c. Drill a 6 mm (1/4 in) hole in each of the four marked locations on liner.
 - d. Install amplifier cover to front side of liner using screws provided in kit.
 - e. Mark amplifier cover edge locations on liner.
 - f. Mark diagonal corners on liner.
 - g. Remove amplifier cover from liner.

NOTE

It is suggested to make first cut as one continuous stroke, this way the visible cut will look more clean. If needed, repeat with smaller cuts on same path. Make sure cut is all the way through the liner.

It is highly recommended to use a straight edge as a guide. Line up straight edge accordingly on intended path of cut. Position blade in desired angle and pull along path of the straight edge. Make sure blade remains aligned with marked path.

Do not use amplifier cover as a guide, as there is a risk of cutting into it.

- h. Cut liner with a sharp utility knife using a straight edge.
- i. Once all four sides have been cut in liner, cut corner notches to connect longer cuts.
- j. Press out cut liner gently. Make sure to cut any remaining attached threads.
- k. Insert bottom edge of amplifier cover into hole of liner. Check fit before installing in trunk.

5. Figure 5 Install amplifier assembly.

NOTE

Make sure amplifier connector is installed facing the vehicle's left side.

- a. Position left and right mounting brackets (5, 3) on amplifier (4).
- b. Install screws (2). Tighten.
Torque: 1–2 N·m (9–18 **in-lbs**) *Mounting bracket screw*
- c. Install washers (6) onto screws (7).
- d. Align amplifier cover (1) and amplifier assembly (3, 4, 5) with holes in trunk wall.
- e. Install screws (7). Tighten.
Torque: 5–6 N·m (44–53 **in-lbs**) *Amplifier screw*

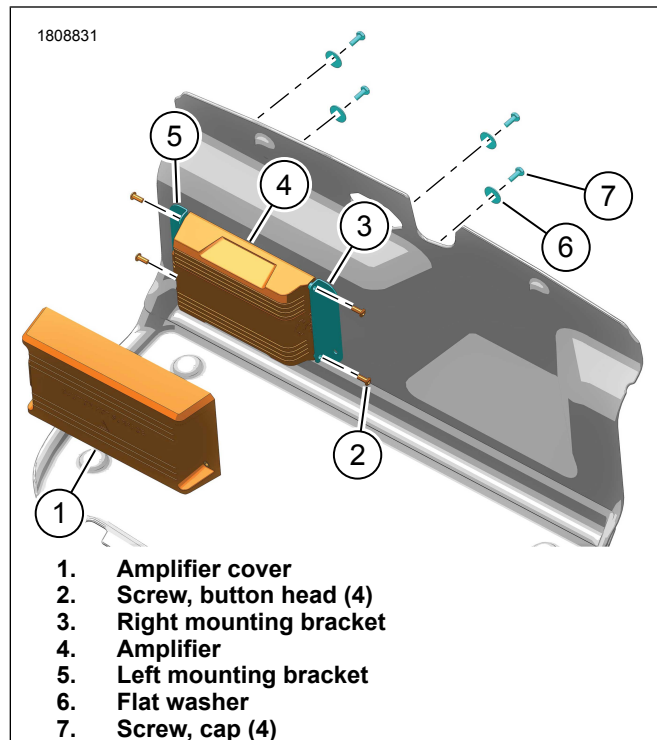


Figure 5. Amplifier Mounting Brackets

6. Install carpet over amplifier cover and secure to trunk wall. Press carpet so that it sits flat to wall and around amplifier.
 - a. If liner will not lay flush due to interference with amplifier or cover, remove liner and trim as needed.

WIRE HARNESS

1. Figure 6 Route wire harness along frame.
 - a. Start from front of vehicle.
 - b. Using cable straps loosely install harness.
 - c. Do not tighten cable straps.

2. Route harness branch connector [349B] (1) behind battery box area toward right side cover.

NOTE

[319B] can be routed under alternate position.

3. Route connectors [319A] (7) and [319B] (6) under passenger seat. Remove cable strap to route branch towards rear of vehicle.
4. Connect amplifier harness connectors (6 and 7) to vehicle.
 - a. Amplifier harness [319A] to vehicle [319B].
 - b. Amplifier harness [319B] to terminating resistor cap [319A].
5. Connect negative battery wire (4).
6. Connect positive battery wire (5).
7. Secure amplifier fuse holder (3) with cable strap.

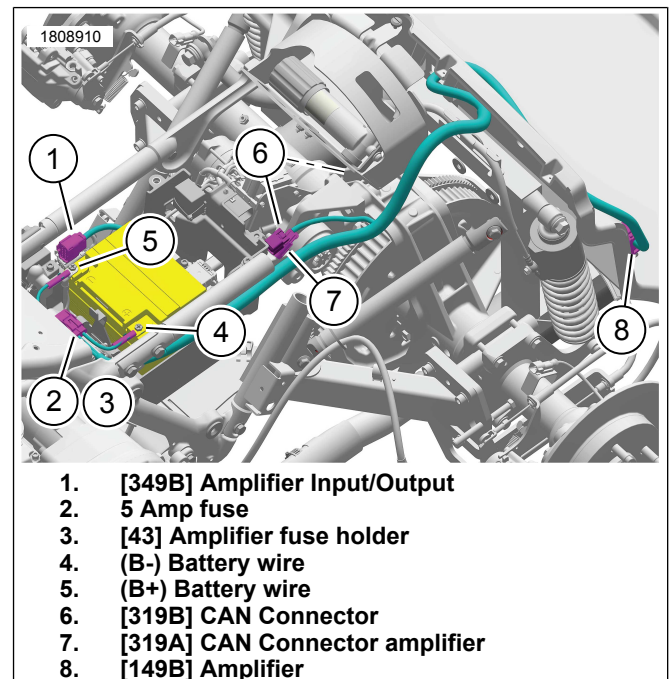


Figure 6. Amplifier Wire Harness Routing

8. Install trike trunk body. See service manual.
 - a. Carefully route harness through opening before fully placing trike trunk body in place.
 - b. Check wire harness length. Make sure routing to amplifier is sufficient before fully securing harness to vehicle with cable-straps.
9. Figure 6 Route harness connector [149B] (8) to amplifier.
10. Connect connector [149B] (8) to amplifier.

11. Figure 7 Install grommet.

- a. Using slit in grommet (3), install to amplifier harness (2).
- b. Test fit grommet to trunk opening and trim trunk liner as needed.
- c. Install grommet (3) to trunk.
- d. Adjust harness as needed.

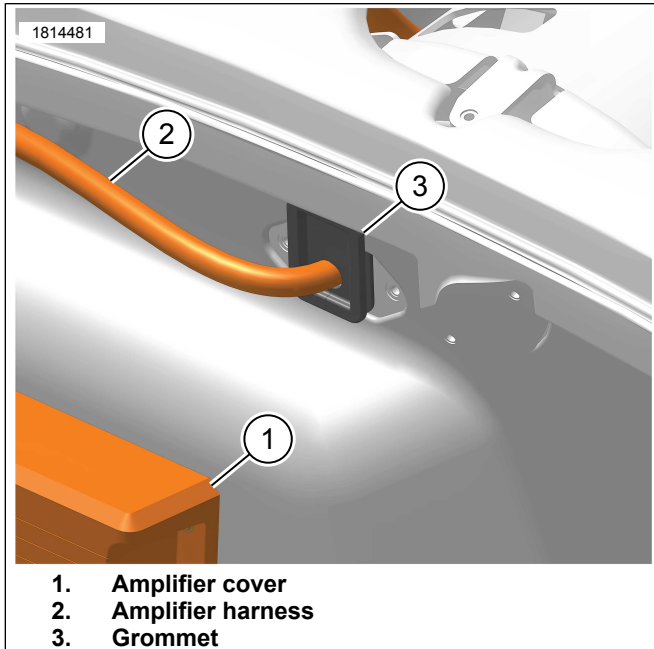


Figure 7. Grommet

12. Secure rest of harness with cable straps as needed.

BLUETOOTH DONGLE HARNESS

The Bluetooth Dongle is a audio communication component. In conjunction with H-D audio app, it can assign amplifiers and speaker channels or enhance the sound by widening the frequency range with an additional equalizer. The dongle **CANNOT** be used as a communications device between your phone and the vehicle's radio.

1. Figure 8 Install and route bluetooth dongle harness under fairing.
2. Locate vehicle connectors: [243] (4) and [299] (1, 2).
 - a. Disconnect connectors.
3. Connect bluetooth dongle harness to vehicle.
 - a. Dongle harness [22-1A] (6) to vehicle harness [243B].
 - b. Dongle harness [22-1B] (5) to vehicle harness [243A].
 - c. Dongle harness [299B] (1) to vehicle harness [299A] (2).

NOTE

Use Part No. 69200921 extension harness as needed.

4. Connect bluetooth dongle (8) to bluetooth dongle harness.

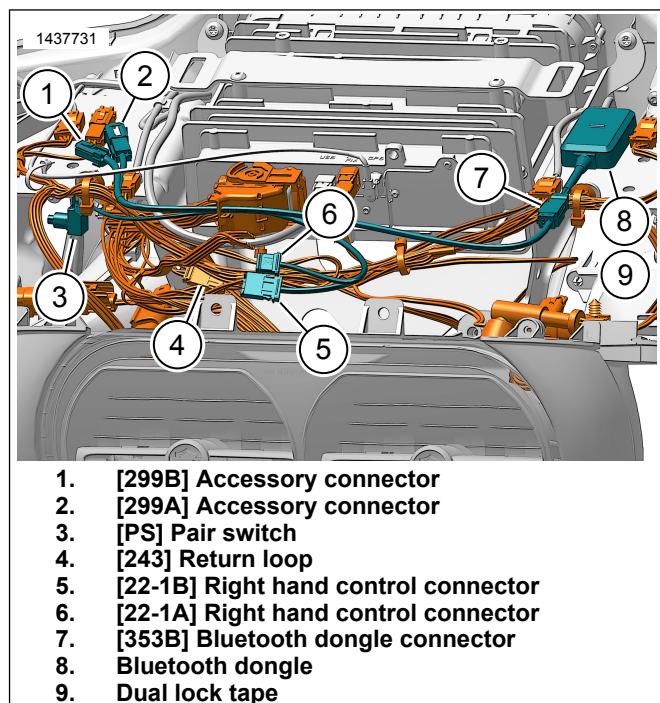
NOTE

Vehicle to Bluetooth component should only be paired once unless a new Bluetooth device is being added or because of system component failure.

The Bluetooth dongle (8) can only be paired to one mobile device at a time. The dongle can be unpaired by either the audio app or pressing the pair switch (3) located on the harness.

Mount the pair switch (3) where it cannot be accidentally actuated during vehicle operation.

- a. [353B] (7).
 - b. Secure dongle (8) to fairing support structure with dual lock tape (9).
5. Route and secure pair switch (3).
 - a. Inside under right speaker grille.



1. [299B] Accessory connector
2. [299A] Accessory connector
3. [PS] Pair switch
4. [243] Return loop
5. [22-1B] Right hand control connector
6. [22-1A] Right hand control connector
7. [353B] Bluetooth dongle connector
8. Bluetooth dongle
9. Dual lock tape

Figure 8. Frame Mounted Fairing Bluetooth Dongle Harness

SPEAKER CONNECTIONS

Channel 1 and 2 (Fairing)

1. See fairing speaker installation kit for routing and connections associated with that kit.
2. **Channel 1:** Left fairing speaker.
3. **Channel 2:** Right fairing speaker.

4. Connect fairing speaker wire harness to external harness [349B].

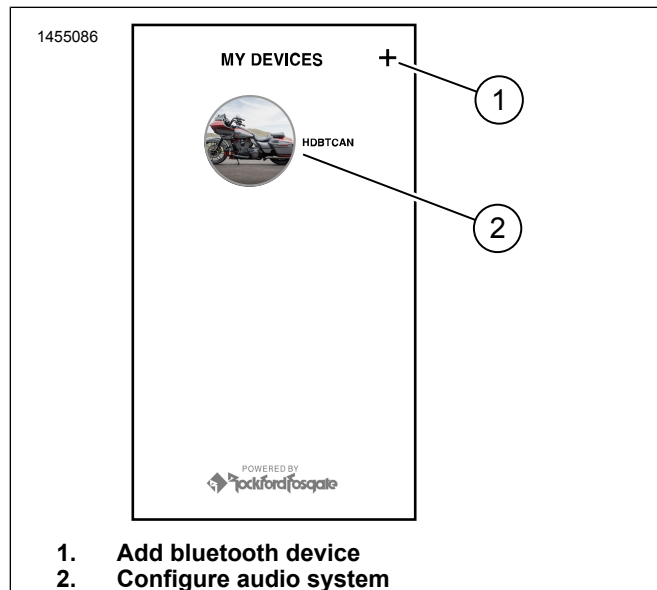
APP SETUP

NOTE

Vehicle to Bluetooth component should only be paired once unless a new Bluetooth device is being added or because of system component failure.

The Bluetooth dongle can only be paired to one mobile device at a time. The dongle can be unpaired by either the audio app or pressing the pair switch located on the harness.

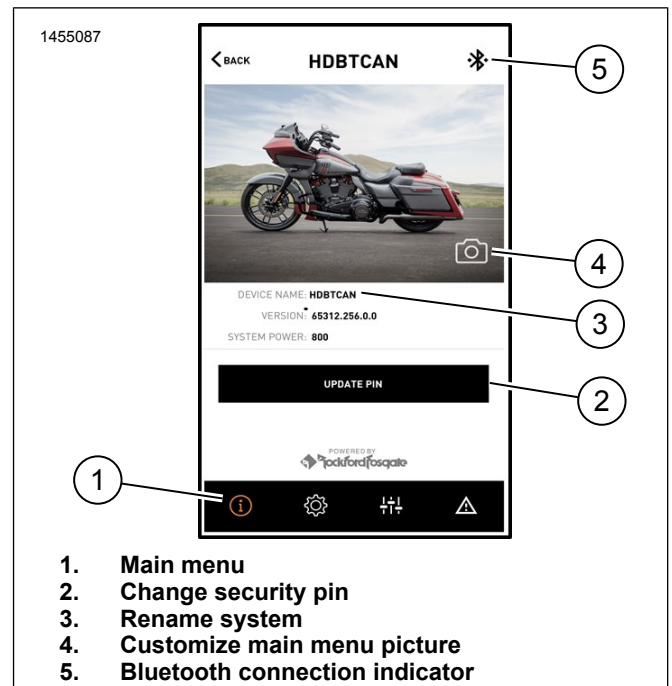
1. Figure 9 Accessing your audio system.
 - a. Pair device (1) to system.
 - b. Access app menus (2) to setup vehicle sound system.



1. Add bluetooth device
2. Configure audio system

Figure 9. System Access

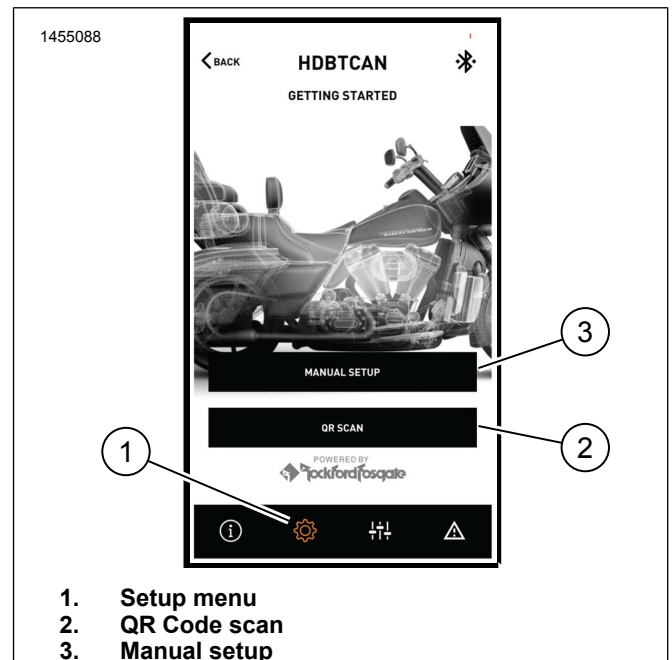
2. Figure 10 Main menu screen.
 - a. Main menu icon (1).
 - b. Reset or change security personal identification number (PIN) (2).
 - c. Edit and rename your system (3).
 - d. Customize main menu with your bike picture (4).
 - e. Bluetooth connection indicator. Slash through symbol indicates: Not Connected (5).



1. Main menu
2. Change security pin
3. Rename system
4. Customize main menu picture
5. Bluetooth connection indicator

Figure 10. Main Menu

3. Figure 11 Setup menu screen.
 - a. Setup menu icon (1).
 - b. Use to scan QR code (2) on iSheet.
 - c. Manual setup for Stage 1 or 2 speakers, speaker location and white noise to assign speaker locations.

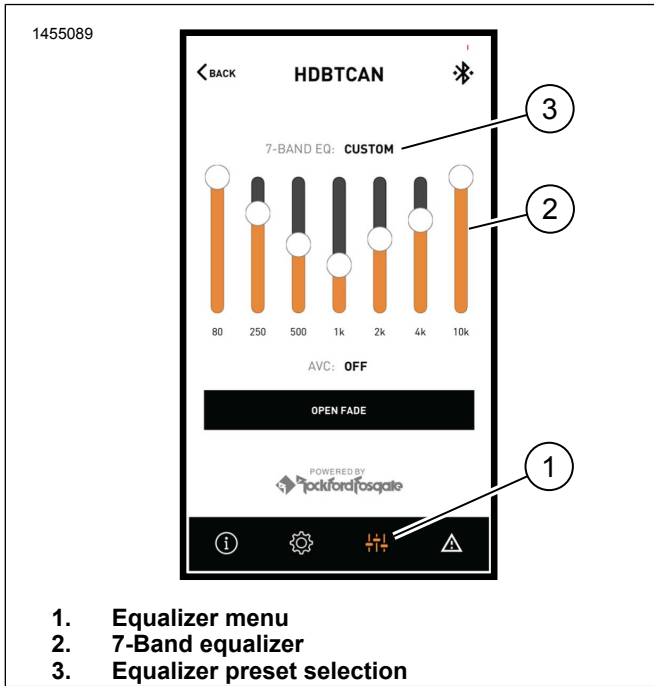


1. Setup menu
2. QR Code scan
3. Manual setup

Figure 11. Setup Menu

4. Figure 12 Equalizer setup screen.
 - a. Equalizer setup icon (1)
 - b. Tune 7-Band equalizer (2) frequencies.

c. Custom or preset equalizer selections (3).

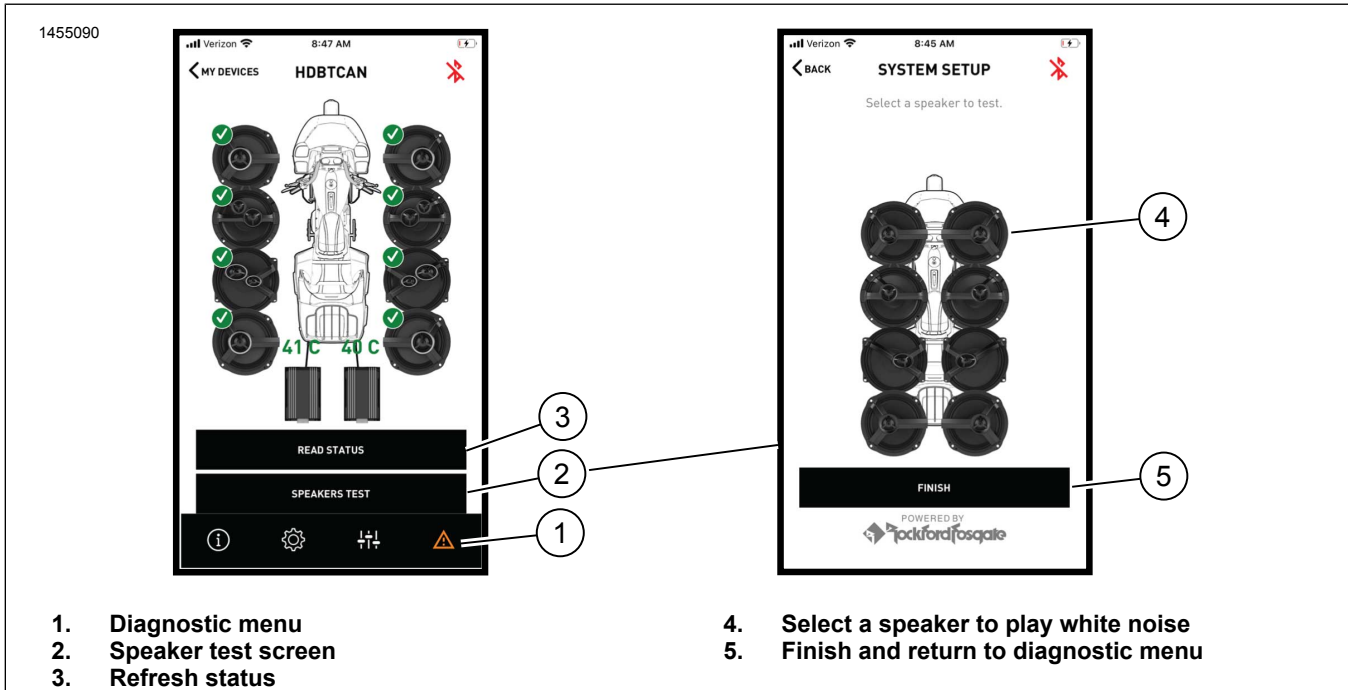


1. Equalizer menu
2. 7-Band equalizer
3. Equalizer preset selection

Figure 12. Equalizer Menu

5. Figure 13 Diagnostic menu screen.

- a. Diagnostic menu icon (1) displays sound system status.
- b. Open the speaker testing screen (2).
- c. Refreshes speaker and amplifier status (3) after component repair.
- d. Select speaker for white noise (4) test and functionality.
- e. Return to diagnostic menu screen (5).



1. Diagnostic menu
2. Speaker test screen
3. Refresh status

4. Select a speaker to play white noise
5. Finish and return to diagnostic menu

Figure 13. Diagnostic Menu