



INSTRUCTIONS


J06512

2024-08-01



RIDER FOOTBOARD KIT

Table 1. General Information

Kits	Suggested Tools	Skill Level ⁽¹⁾
Footboard Kits: 50500869, 50500872, 50501294A, 50501295A Insert Kits: 50500928, 50500929, 50500930, 50500931	Safety Glasses, Torque Wrench	
<i>(1) Tightening to torque value or other moderate tools and techniques required</i>		

KIT CONTENTS

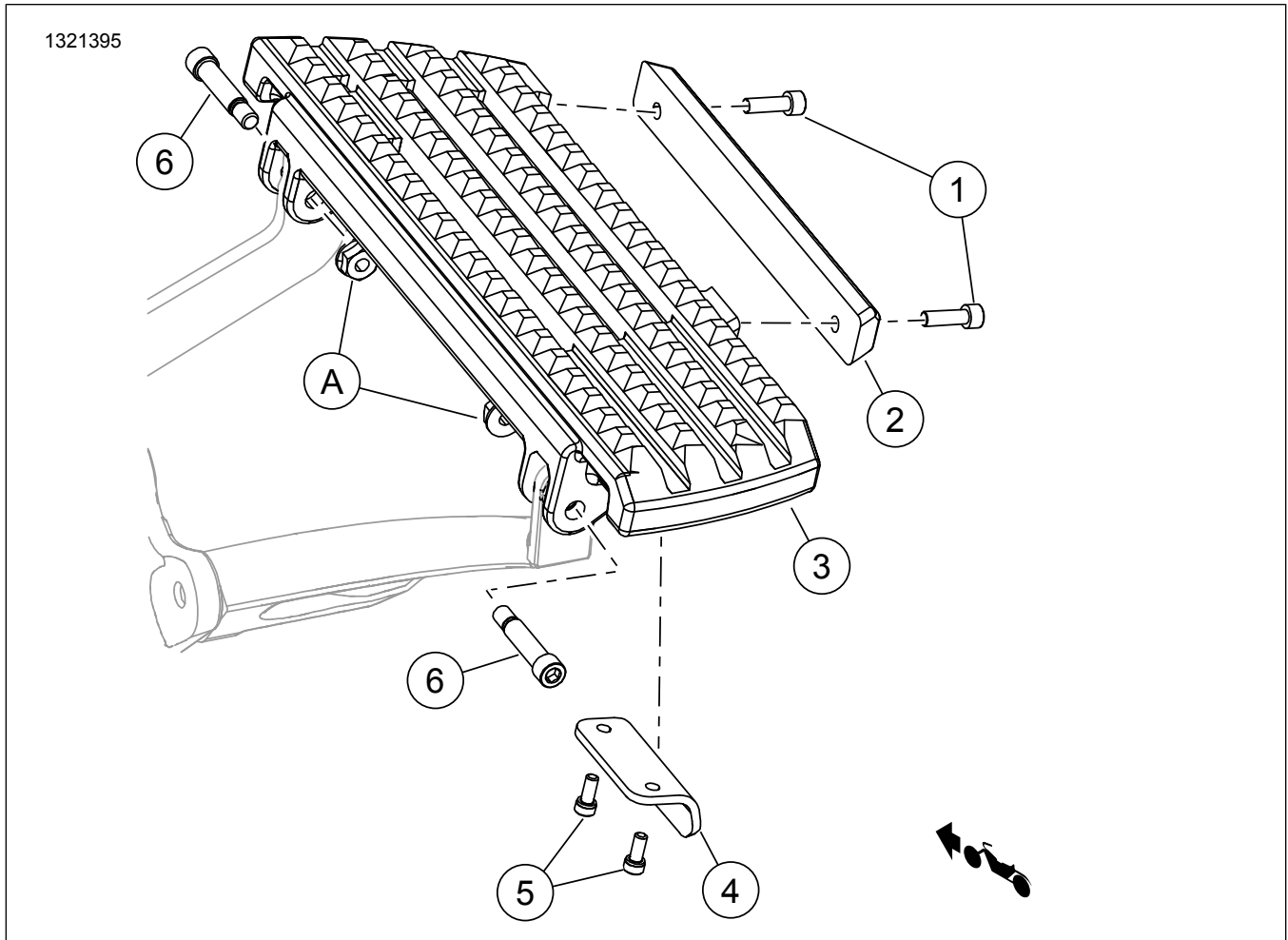


Figure 1. Kit Contents: Rider Footboard Components



Table 2. Kit Contents: Rider Footboard Components

<input checked="" type="checkbox"/>	Item	Qty	Description	Part No.	Notes
<input type="checkbox"/>	1	4	Screw	10200658	Torque: 2.26 - 3.39 Nm (20 - 30 in-lbs)
<input type="checkbox"/>	2	2	Insert, footboard	Not sold separately	
<input type="checkbox"/>	3	1	Footboard, left side (not shown)	Not sold separately	
<input type="checkbox"/>		1	Footboard, right side	Not sold separately	
<input type="checkbox"/>	4	2	Wear peg, Kits 50500869, 50500872	50501013	
<input type="checkbox"/>		2	Wear peg, Kits 50501294, 50501295	50501296A	
<input type="checkbox"/>	5	4	Screw	10200659	Torque: 1.8 - 2.26 Nm (15.9 - 20 in-lbs)
<input type="checkbox"/>	6	4	Screw, Kits 50501294, 50501295	10500137	Torque: 6.8 - 9 Nm (60 - 80 in-lbs)
Items mentioned in text, but not included in kit.					
<input checked="" type="checkbox"/>	A	2	Nut		

NOTE

Verify all contents are present in the kit before installing or removing items from vehicle.

GENERAL

Models

For model fitment information, see the P&A Retail Catalog or the Parts and Accessories section of www.harley-davidson.com (English only).

Verify that the most current version of the instruction sheet is used. It is available at: www.harley-davidson.com/isheets

Contact Harley-Davidson Customer Support Center at 1-800-258-2464 (U.S. only) or 1-414-343-4056.

NOTE

There may be decreased access to the jiffy stand tab on Softail models.

Installation Requirements

FLTRXSTSE models: Separate purchase of Front Support Mounts (Part No. 47200302A - qty of 2) is required. See service manual for removal of old front supports and install of **new** supports.

▲ WARNING

Rider and passenger safety depend upon the correct installation of this kit. Use the appropriate service manual procedures. If the procedure is not within your capabilities or you do not have the correct tools, have a Harley-Davidson dealer perform the installation. Improper installation of this kit could result in death or serious injury. (00333b)

REMOVE

1. **Kits 50500869, 50500872:** See Figure 2. Remove footboard.
 - a. Remove e-clip (3), clevis pin (1), and torsion spring (2).
 - b. Save hardware for installation.
2. **Kits 50501294, 50501295:** See Figure 1. Remove footboard.
 - a. Remove shoulder bolt (6) and nut (A).
 - b. Retain nuts (A) for reuse.

INSTALL

Kits 50500869, 50500872:

1. Clean and inspect footboard brackets. Replace if worn, rusted or damaged.
2. See Figure 2. Install footboard.
 - a. Insert short end of torsion spring (2) into forward most hole in footboard.
 - b. While holding torsion spring (2) in place, install footboard and spring onto mounting bracket.
 - c. Install clevis pin (1).
 - d. Install e-clip (3).

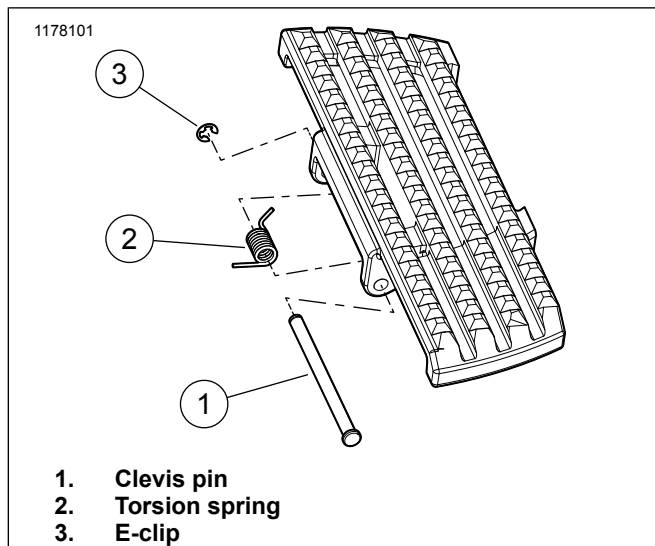


Figure 2. Rider Footboard Installation

Kits 50501294, 50501295:

1. Clean and inspect footboard brackets. Replace if worn, rusted or damaged.
2. See Figure 1. Install footboard.
 - a. Install **new** shoulder bolt (6) and footboard.
 - b. Apply threadlocker and install nut (A). Tighten.
Torque: 6.8–9 N·m (60–80 **in-lbs**)
LOCTITE 243 MEDIUM STRENGTH
THREADLOCKER AND SEALANT (BLUE)
(99642-97)
3. Check that footboard pivots freely on clevis pin (1).
4. Repeat for opposite side.

NOTE

Avoid contacting chrome surfaces with abrasive materials (stones, sand, etc.) as damage will result.

INSTALL OR REPLACE INSERT

1. Remove screws (1).
2. Replace insert (2).
3. Apply threadlocker and install screws (1). Tighten.
Torque: 2.26–3.39 N·m (20–30 **in-lbs**)
Consumable: LOCTITE 243 MEDIUM STRENGTH
THREADLOCKER AND SEALANT (BLUE) (99642-97)

REPLACE WEAR PEG

1. Remove screws (5).
2. Replace wear peg (4).

3. Apply threadlocker and install screws (5). Tighten.
Torque: 1.8–2.26 N·m (15.9–20.0 **in-lbs**)
Consumable: LOCTITE 243 MEDIUM STRENGTH
THREADLOCKER AND SEALANT (BLUE) (99642-97)