



# INSTRUCTIONS




94100669

2024-08-29

## S2MH TWO UP KIT

### GENERAL INFORMATION

Table 1. General Information

Kits	Suggested Tools	Skill Level <sup>(1)</sup>
50503188, 50700141, 50700142, 50700143	Safety Glasses, Torque Wrench, Loctite 243 Medium Strength Threadlocker and Sealant (Blue)	
<i>(1) Tightening to torque value or other moderate tools and techniques required</i>		

### KIT CONTENTS

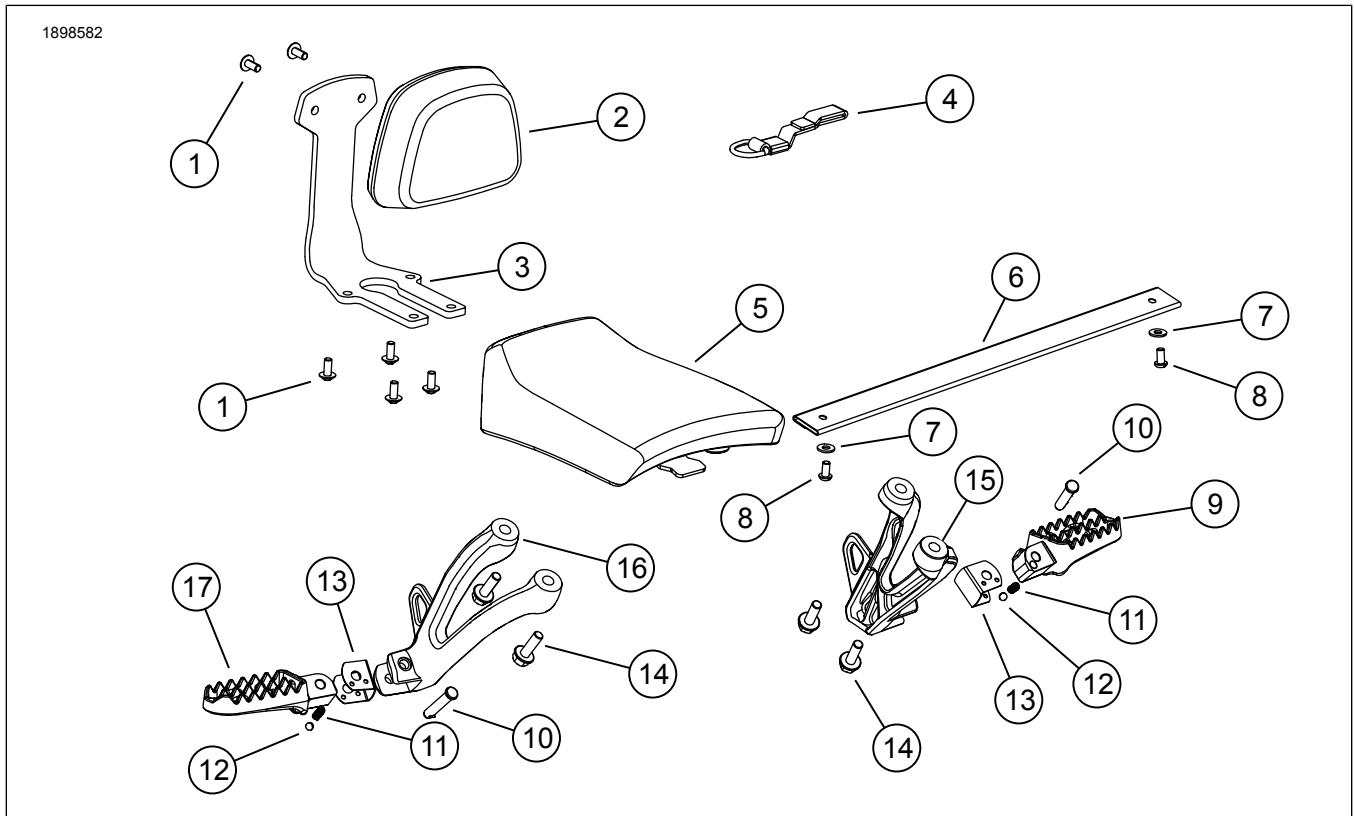


Figure 1. Kit Contents: S2MH Two Up Kit

**Table 2. Kit Contents: S2MH Two Up Kit**

<input checked="" type="checkbox"/>	Verify that all contents are present in the kit before installing or removing items from vehicle.				
<input type="checkbox"/>	Item	Qty	Description	Part No.	Notes
<input type="checkbox"/>	1	6	Screw, flange head	10201366	
<input type="checkbox"/>	2	1	Pad, backrest (black)	Not sold separately	
<input type="checkbox"/>			Pad, backrest (grey)	Not sold separately	
<input type="checkbox"/>			Pad, backrest (red)	Not sold separately	
<input type="checkbox"/>	3	1	Support bracket, backrest	Not sold separately	
<input type="checkbox"/>	4	1	Strap, helmet	Not sold separately	
<input type="checkbox"/>	5	1	Seat, passenger pillion (black)	Not sold separately	
<input type="checkbox"/>			Seat, passenger pillion (grey)	Not sold separately	
<input type="checkbox"/>			Seat, passenger pillion (red)	Not sold separately	
<input type="checkbox"/>	6	1	Strap, passenger grab (black)	Not sold separately	
<input type="checkbox"/>			Strap, passenger grab (grey)	Not sold separately	
<input type="checkbox"/>			Strap, passenger grab (red)	Not sold separately	
<input type="checkbox"/>	7	2	Washer	10300078	
<input type="checkbox"/>	8	2	Screw, button head	10201189	
<input type="checkbox"/>	9	1	Footpeg, passenger (left)	50502115	
<input type="checkbox"/>	10	2	Pin, clevis, footpeg	50501782	
<input type="checkbox"/>	11	2	Spring, detent	50500706	
<input type="checkbox"/>	12	2	Ball, detent	50500707	
<input type="checkbox"/>	13	2	Plate, detent	50500705	
<input type="checkbox"/>	14	4	Screw, SEMS	10201004	
<input type="checkbox"/>	15	1	Bracket, passenger footpeg (left)	50502232	
<input type="checkbox"/>	16	1	Bracket, passenger footpeg (right)	50502233	
<input type="checkbox"/>	17	1	Footpeg, passenger (right)	50502116	

## GENERAL

### Models

Confirm all contents are present in the kit before installing or removing items from the vehicle. For model fitment information and to verify the most current version of the instruction sheet is used, see the product listing in the Accessories & Upgrades section of [www.LiveWire.com](http://www.LiveWire.com).

Contact LiveWire Customer Support Center at 1-414-343-4122 or toll free at 1-855-EVRider (1-855-387-4337). Visit [www.LiveWire.com](http://www.LiveWire.com) for additional information.

## Installation Requirements

### ⚠ WARNING

**Rider and passenger safety depend upon the correct installation of this kit. If the procedure is not within your capabilities or you do not have the correct tools, have a LiveWire dealer perform the installation. Improper installation of this kit could result in death or serious injury. (16004a)**

### NOTE

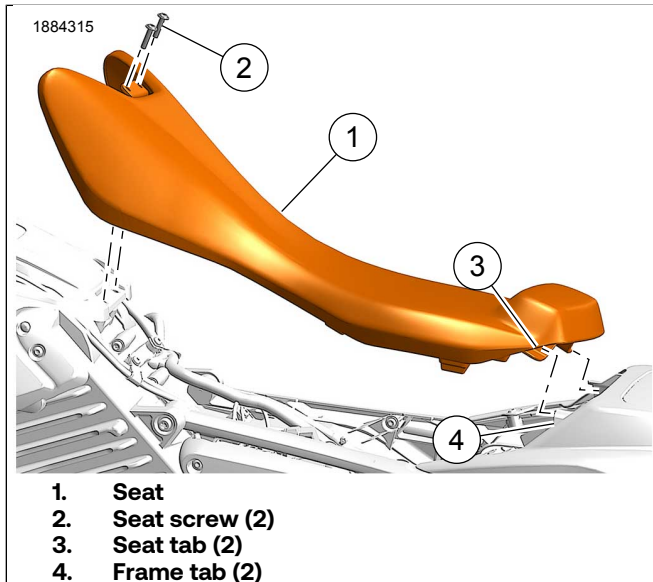
*This instruction sheet references service manual information. A service manual for the year and model motorcycle is required for this installation and is available from:*

- A LiveWire dealer.

- *H-D Service Information Portal, a subscription-based access available for most 2001 and newer models. For more information see Frequently ask questions about subscriptions.*

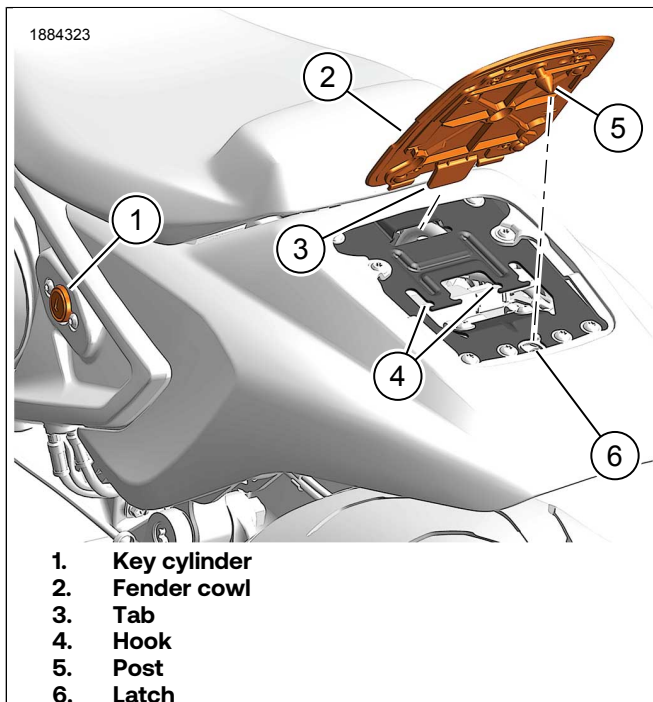
## PREPARE

1. See Figure 2. Remove rider seat (1). See owners manual.



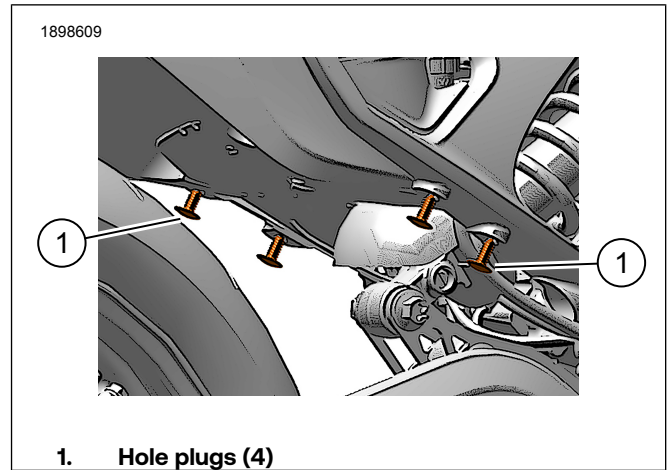
**Figure 2. Remove rider seat**

2. See Figure 3. Remove rear fender cowl (2). See Helmet Locks, solo seat section of owners manual.



**Figure 3. Rear fender cowl removal**

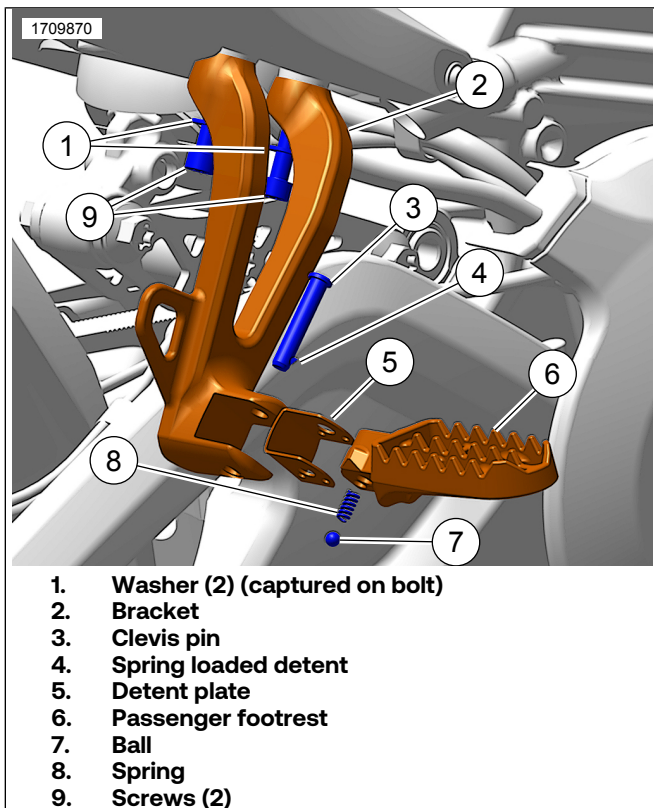
3. See Figure 4. Remove rear frame hole plugs (1).



**Figure 4. Rear frame hole plugs**

## ASSEMBLE

1. See Figure 1. Assemble backrest and seat pillion.
  - a. Install backrest pad (2) into bracket (3) and secure with screws (1). Tighten.  
Torque: 10.4–11.4 N·m (92–101 **in-lbs**)
  - b. Install backrest assembly into passenger seat pillion (5) and secure with screws (1). Tighten.  
Torque: 10.4–11.4 N·m (92–101 **in-lbs**)
2. See Figure 5. Assemble right passenger footrest.
  - a. Install spring (8) and ball (7) into right footrest (6).
  - b. Hold detent ball in place while installing detent plate (13) to prevent detent ball from falling out.
  - c. Detent plate should be oriented with the detent holes on the bottom so that they align with the detent ball.
  - d. Make sure detent ball is aligned with the innermost hole in the detent plate when installed.
  - e. Install right footrest assembly into right footrest bracket (2).
  - f. Install clevis pin (3) from top taking care to ensure spring loaded detent (4) extends after complete installation.



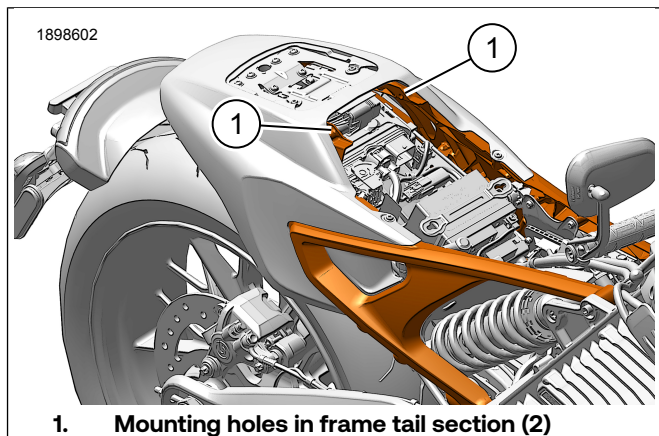
1. Washer (2) (captured on bolt)
2. Bracket
3. Clevis pin
4. Spring loaded detent
5. Detent plate
6. Passenger footrest
7. Ball
8. Spring
9. Screws (2)

**Figure 5. Passenger footrest assembly**

3. Repeat steps for left passenger footrest.

## INSTALL

1. See Figure 5. Install right passenger footrest assembly into right frame tail section and secure with screws (9). Tighten. Torque: 25–29 N·m (18–21 ft-lbs)
2. Install left passenger footrest assembly into left frame tail section and secure with screws (9). Tighten. Torque: 25–29 N·m (18–21 ft-lbs)
3. Figure 1 Install passenger grab strap (6).
  - a. See Figure 6. Locate grab strap mounting holes in frame tail section beneath rider seat.
  - b. See Figure 1. Apply thread locket to screw (8).  
LOCTITE 243 MEDIUM STRENGTH THREADLOCKER AND SEALANT (BLUE) (99642-97)
  - c. Install passenger grab strap (6) with washer (7) and screw (8). Tighten. Torque: 4–5 N·m (35–44 in-lbs)



**1. Mounting holes in frame tail section (2)**

**Figure 6. Passenger grab strap mounting holes**

## COMPLETE

1. See Figure 2. Install rider seat (1). Insert rear of rider seat in loop formed by passenger seat strap. See owners manual.
2. See Figure 3. Latch and lock passenger seat assembly in place of rear cowl.
  - a. Align tab on front of passenger seat with slot in fender.
  - b. Lower rear of passenger seat assembly until post (5) engages latch (6) ensuring that grab strap is looped over rider seat.
  - c. Verify passenger seat is properly installed and latched into position by pulling on seat and backrest.

## OPERATION

1. Helmet lock operation is unchanged. See owners manual.
  - a. Remove passenger seat assembly in same manner as removing rear fender cowl. See owners manual.
  - b. See Figure 1. An additional helmet lock strap (4) is included in this kit.
  - c. See Figure 2. Loop helmet lock strap through D rings on helmet and secure strap to hook (4).
  - d. Install passenger seat assembly with helmet straps exiting side of seat through spaces provided. See owners manual.

## MAINTENANCE

1. For a complete list of cleaning and care products available for use on the components in this kit, see owners manual.