



INSTRUCTIONS

J05702


2024-09-05



XL DETACHABLE RIDER BACKREST

GENERAL INFORMATION

Table 1. General Information

Kits	Suggested Tools	Skill Level ⁽¹⁾
52300245	Safety Glasses, Torque Wrench	
<i>(1) Tightening to torque value or other moderate tools and techniques required</i>		

KIT CONTENTS

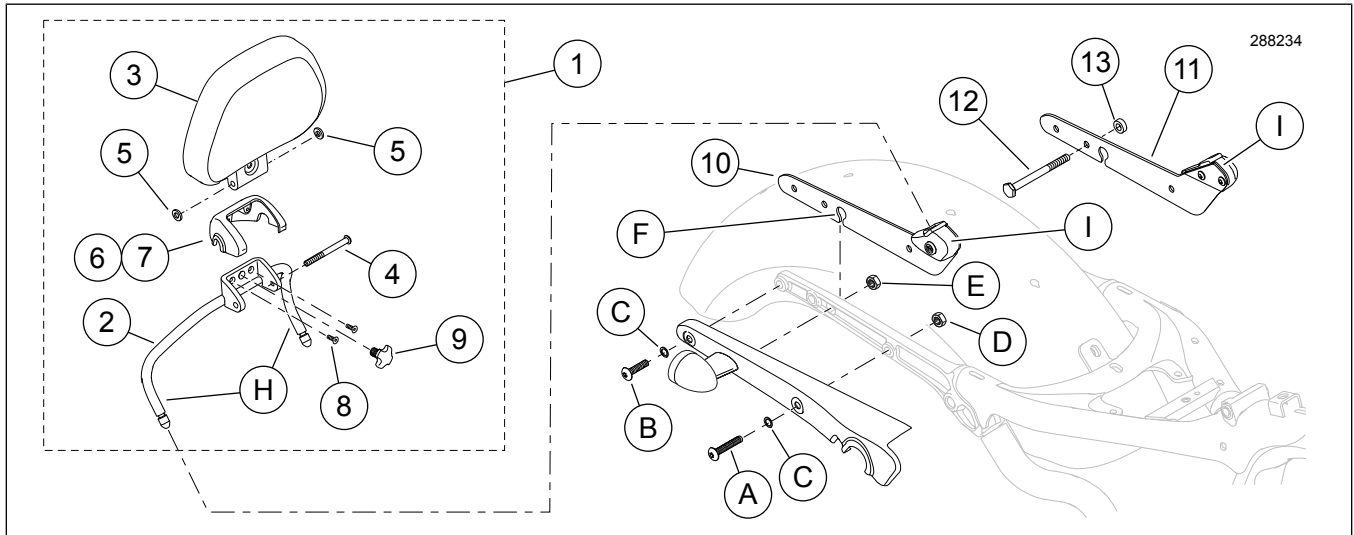


Figure 1. Kit Contents: XL Detachable Rider Backrest



Table 2. Kit Contents: XL Detachable Rider Backrest

<input checked="" type="checkbox"/>	Verify that all contents are present in the kit before installing or removing items from vehicle.				
	Item	Qty	Description	Part No.	Notes
<input type="checkbox"/>	1	1	Backrest assembly (includes Items 2-9)	52300332	
<input type="checkbox"/>	2	1	Backrest structure weldment	Not sold separately	
<input type="checkbox"/>	3	1	Backrest cushion assembly	Not sold separately	
<input type="checkbox"/>	4	1	Screw, TORX button head 1/4-20 x 70 mm (2.75 in) long	1107	
<input type="checkbox"/>	5	2	Washer, nylon	6410	
<input type="checkbox"/>	6	4	Backrest housing (includes Item 7)	Not sold separately	
<input type="checkbox"/>	7	4	Medallion, Bar & Shield logo	Not sold separately	
<input type="checkbox"/>	8	2	Screw, hex socket flat head #8-32 x 12.7 mm (1/2 in) long	3159	
<input type="checkbox"/>	9	1	Adjustment knob	52300289	
<input type="checkbox"/>	10	1	Backrest support assembly (Right)	Not sold separately	
<input type="checkbox"/>	11	1	Backrest support assembly (Left)	Not sold separately	
<input type="checkbox"/>	12	1	Cap screw, hex head	4298	
<input type="checkbox"/>	13	1	Spacer	12400064	
Items mentioned in text, but not included in kit					
<input checked="" type="checkbox"/>	A	2	Original Equipment (OE) forward fender support cover screw		
<input checked="" type="checkbox"/>	B	2	OE Rear fender support cover screw		
<input checked="" type="checkbox"/>	C	4	OE Washer		
<input checked="" type="checkbox"/>	D	2	OE Nut		
<input checked="" type="checkbox"/>	E	2	OE Nut on turn signal screw inside fender		
<input checked="" type="checkbox"/>	F	1	Keyhole slot		
<input checked="" type="checkbox"/>	G	1	OE Rear fender mount clip (not shown)		
<input checked="" type="checkbox"/>	H	2	Backrest assembly post		
<input checked="" type="checkbox"/>	I	2	Backrest support dock		

GENERAL

Instruction sheet is also available electronically. To verify you are using the most current version available, do one of the following:

- Go to h-d.com/isheets
- Scan QR code in upper left corner of the instruction sheet

NOTE

This instruction sheet may have a Supplemental Video to assist installer in clarifying a certain part of the assembly. A linked video would be located at the end of this instruction sheet.

Models

For model fitment information, see the Parts and Accessories (P&A) Retail Catalog or the Parts and Accessories section of www.harley-davidson.com.

Contact Harley-Davidson Customer Support Center at 1-800-258-2464 (U.S. only) or 1-414-343-4056.

Installation Requirements

⚠ WARNING

Rider and passenger safety depend upon the correct installation of this kit. Use the appropriate service manual procedures. If the procedure is not within your capabilities or you do not have the correct tools, have a Harley-Davidson dealer perform the installation. Improper installation of this kit could result in death or serious injury. (00333b)

NOTE

This instruction sheet references service manual information. A service manual for the year and model motorcycle is required for this installation and is available from:

- A Harley-Davidson dealer.
- H-D Service Information Portal, a subscription-based access available for most 2001 and newer models. For more information see *Frequently ask questions about subscriptions*.

These items are available at your local Harley-Davidson dealership.

- Separate purchase of four Screws (Part No. 3584) is required. **If installing with a detachable solo luggage rack.**

PREPARE

1. **For vehicles equipped with security siren:**
 - a. **2007 and later:** Verify that Hands-Free Fob is present. Turn ignition key switch to IGNITION.
 - b. **2006 and earlier:** Disarm siren with key fob.
2. Position and secure vehicle upright using a suitable lift or jack. See service manual.

REMOVE

1. If a passenger pillion is installed, it must be removed before installing backrest side supports.

INSTALL

⚠ WARNING

Block or jack vehicle under frame in a way that the vehicle will not fall over. Failure to properly block and/or raise the vehicle could result in death or serious injury. (00462c)

NOTICE

When lifting a motorcycle using a jack, be sure jack contacts both lower frame tubes where down tubes and lower frame tubes converge. Never lift by jacking on cross-members, oil pan, mounting brackets, components or housings. Failure to comply can cause serious damage resulting in the need to perform major repair work. (00586d)

1. Remove upper rear shock fastener stacks. See service manual.
 - a. Raise vehicle to access fender support fasteners under rear fender.
2. See Figure 1. Remove forward fender support cover screw (A), washer (C) and nut (D) from one side of vehicle.
3. Remove rear fender support cover screw (B) and washer (C) on same side.
4. Loosen, but do not completely remove the nut (E) from the turn signal screw inside the fender.
5. **On left side only, for vehicles with side-mounted license plate:**
 - a. Remove and recycle or properly dispose of turn signal mounting stud.
 - b. Replace with hex head screw (12) and spacer (13) from kit.

NOTE

The backrest support assemblies are side-specific. The assemblies install with the backrest dock outboard and toward the front of the support.

6. Get backrest support assembly (10 or 11) from kit.
7. Insert backrest support between rear fender and fender support strut.
 - a. Carefully align keyhole slot (F) over turn signal wires.
 - b. Lower backrest support between fender and fender support strut.
 - c. lower until two mounting holes align with strut and support cover holes.

NOTE

If installing backrest on a vehicle with a detachable solo luggage rack, use four 5/16-18 x 63.5 mm (2 1/2 in) long screws (Part No. 3584, purchased separately) in place of fender support cover screws (A) and (B).

8. Insert forward fender support cover screw (A) through washer (C) and hole in support cover, strut, backrest support and fender.
 - a. Loosely thread screw into nut (D) removed earlier. DO NOT fully tighten at this time.
 - b. Insert rear fender support cover screw (B) through washer (C) and hole in support cover, strut, backrest support and fender.
 - c. Thread screw loosely into rear fender mount clip. DO NOT fully tighten at this time.
9. Repeat Steps 3-8 on opposite side of vehicle.

10. Get backrest assembly (1) from kit. Grasp posts (H) at curved section above tip.
11. While standing behind vehicle:
 - a. Insert backrest posts into docks (I) at front of backrest supports.
 - b. Shift support positions as needed to guide posts straight into docks until a definite click is heard from each dock.
 - c. Pull up equally on posts to verify proper engagement.
12. Tighten nuts (E) on each turn signal screw.
Torque: 14.9–24.4 N·m (132–216 **in-lbs**)
13. Tighten forward (A) fender support screws on each side of fender.
Torque: 14.9–24.4 N·m (132–216 **in-lbs**)

COMPLETE

1. Lower vehicle from lift or jack. See service manual.
2. Install upper rear shock fastener stacks. See service manual.
3. Test backrest removal:
 - a. Stand behind vehicle.
 - b. While pressing the buttons on outboard side of each backrest support dock.
 - c. Pull backrest posts straight out of docks.
4. Test backrest install:
 - a. Stand behind vehicle.
 - b. Grasp posts at curved section above tip.
 - c. Insert backrest posts straight into docks until a definite click is heard from each dock.
 - d. Pull up equally on posts to verify proper engagement.
5. After installing backrest, pull upward to be sure it is locked in position.

▲ WARNING

After installing backrest, pull upward to be sure it is locked in position. While riding, a loose backrest can shift causing loss of control, which could result in death or serious injury. (00386a)