



INSTRUCTIONS

94100263

2022-01-12



H-D BLUETOOTH® AUDIO POWERED BY ROCKFORD FOSGATE

GENERAL INFORMATION

Table 1. General Information

| Kits | Suggested Tools | Skill Level ⁽¹⁾ |
|----------|---|----------------------------|
| 76001113 | Safety Glasses, Torque Wrench, Power Drill, Drill Bit Set (specifically 13/64 or 0.203-in.), Masking Tape, Deburring Tool, Isopropyl Alcohol, Clean Shop Rags, 2 1/2-in. Hole Saw | |

(1) Special tools or techniques required for installation

KIT CONTENTS

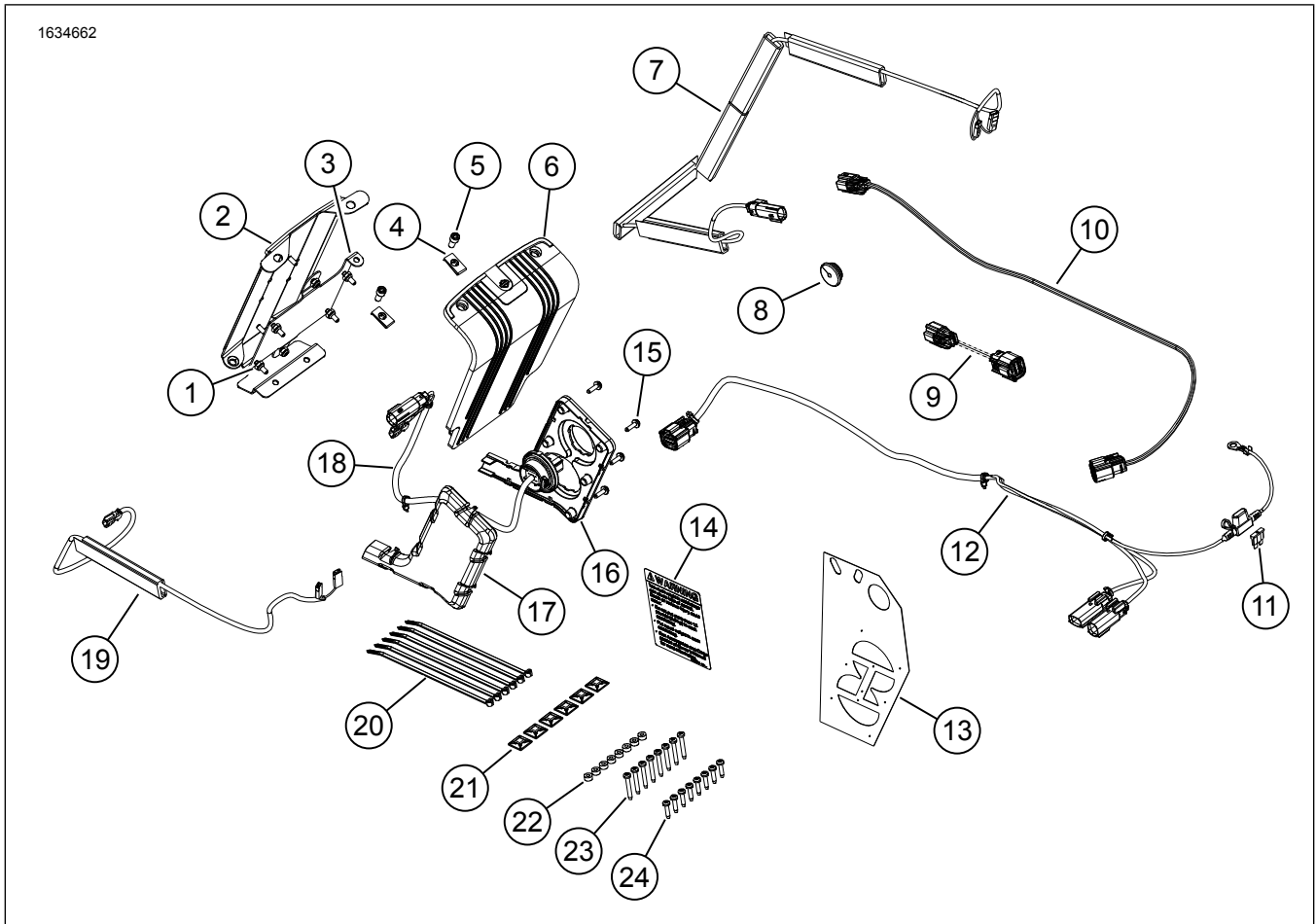


Figure 1. Kit Contents: Bluetooth Audio-Powered by Rockford Fosgate

Table 2. Kit Contents: Bluetooth Audio-Powered by Rockford Fosgate

| <input checked="" type="checkbox"/> | Verify that all contents are present in the kit before installing or removing items from vehicle. | | | | |
|-------------------------------------|---|-----|-----------------------------------|----------|-------|
| | Item | Qty | Description | Part No. | Notes |
| <input type="checkbox"/> | 1 | 6 | Lock nut | 7624 | |
| <input type="checkbox"/> | 2 | 1 | Saddlebag amplifier mount bracket | 76001106 | |
| <input type="checkbox"/> | 3 | 1 | Amplifier mount bracket | 76001105 | |
| <input type="checkbox"/> | 4 | 2 | Speed nut | 8108 | |
| <input type="checkbox"/> | 5 | 2 | Screw, hex socket | 9493 | |
| <input type="checkbox"/> | 6 | 1 | Amplifier cover | 76000994 | |
| <input type="checkbox"/> | 7 | 1 | Left speaker harness | 69202533 | |
| <input type="checkbox"/> | 8 | 1 | Grommet | 12100167 | |
| <input type="checkbox"/> | 9 | 1 | Harness, 3 pin to 8 pin | 69201900 | |
| <input type="checkbox"/> | 10 | 1 | Jumper harness | 69203048 | |
| <input type="checkbox"/> | 11 | 1 | Fuse, mini, 20 amp | 72345-02 | |
| <input type="checkbox"/> | 12 | 1 | External harness | 69202870 | |
| <input type="checkbox"/> | 13 | 1 | Drill template | 76001009 | |
| <input type="checkbox"/> | 14 | 1 | Label, saddlebag capacity | 14002201 | |
| <input type="checkbox"/> | 15 | 6 | Screw, Pan Head TORX™, T15 | 10200065 | |
| <input type="checkbox"/> | 16 | 1 | Internal harness panel | 69202651 | |
| <input type="checkbox"/> | 17 | 1 | Wire harness cover | 76001008 | |
| <input type="checkbox"/> | 18 | 1 | Internal wire harness | 69202871 | |
| <input type="checkbox"/> | 19 | 1 | Right speaker harness | 69202891 | |
| <input type="checkbox"/> | 20 | 6 | Cable strap | 10006 | |
| <input type="checkbox"/> | 21 | 6 | Wire retainer | 69200342 | |
| <input type="checkbox"/> | 22 | 8 | Washer, rubber | 10300066 | |
| <input type="checkbox"/> | 23 | 8 | Screw, HI-LOW, long | 10200095 | |
| <input type="checkbox"/> | 24 | 8 | Screw, HI-LOW, short | 10200351 | |

NOTE

Verify all contents are present in the kit before installing or removing items from vehicle.

GENERAL

NOTE

The newly installed audio system and speakers will not play audio unless it is configured using the Harley-Davidson audio app.

Models

For model fitment information, see the Parts and Accessories (P&A) Retail Catalog or the Parts and Accessories section of www.harley-davidson.com.

Verify that the most current version of the instruction sheet is used. It is available at: h-d.com/isheets

Contact Harley-Davidson Customer Support Center at 1-800-258-2464 (U.S. only) or 1-414-343-4056.

Electrical Overload

NOTE

This system **CANNOT** power and operate more than one set of speakers. Only one left and one right, can be installed in either the saddlebags or in the optional installed Fairing Lower or Tour-Pak with speaker pod kits.

⚠ WARNING

When installing any electrical accessory, be certain not to exceed the maximum amperage rating of the fuse or circuit breaker protecting the affected circuit being modified. Exceeding the maximum amperage can lead to electrical failures, which could result in death or serious injury. (00310a)

NOTICE

It is possible to overload the vehicle's charging system by adding too many electrical accessories. If the combined electrical accessories operating at any one time consume more electrical current than the vehicle's charging system can produce, the electrical consumption can discharge the battery and cause damage to the vehicle's electrical system. (00211d)

This amplifier requires up to 8 amps more current from the electrical system.

Installation Requirements

Download Harley-Davidson audio app.

Use this kit in conjunction with other **Harley-Davidson Audio powered by Rockford Fosgate®** kits.

For proper installation of the amplifier mount bracket to the surface of the saddlebag, the adhesion process should be allowed to cure for at least 24 hours.

This harness is for use **ONLY** on **2014 and later FLHR, FLHRSE and FLHT** Harley-Davidson vehicles.

These items are available at your Harley-Davidson dealership:

- **2014 and later models:** Separate purchase right color matched saddlebag speaker lid (Part No. 90201108xxx) is required.
- **2014 and later models:** Separate purchase left color matched saddlebag speaker lid (Part No. 90201109xxx) is required.
- **2014 and later models:** Separate purchase Harley-Davidson Audio powered by Rockford Fosgate - Stage II Saddlebag Speakers (Part No. 76000987) is required.
- **2014 and later models:** Separate purchase Harley-Davidson Audio powered by Rockford Fosgate - Bluetooth Amplifier (Part No. 76001074) is required
- **2014-2016 models:** If another accessory is already using the accessory circuit connector, use a Switch Circuit Adapter Harness (70264-94A) purchased separately, as a "Y" adapter.
- **2017-later models:** If another accessory is already using the accessory circuit connector, use a Switch Circuit Adapter Harness (69201706) purchased separately, as a "Y" adapter.

- **2014 and later models:** Separate purchase of Harley-Davidson Color Matched Fairing Lower Speaker Front Enclosure (Part No. 57100233xxx) is required for this installation. ALL models require separate purchase of left and right speaker front enclosures.
- **2014 and later models:** Separate purchase of Harley-Davidson Color Matched Vented Fairing Lower Kit (Part No. 57100258xxx) may be required for this installation. FLH or FLTR models require prior or concurrent installation of Harley-Davidson air-cooled fairing lowers.
- **2014 and later models:** Separate purchase of a King Tour-Pak® is required for this installation. See a Harley-Davidson dealer for availability of color-matched Tour-Paks and additional items that may be required when mounting the Tour-Pak to your vehicle.
- **2014 and later models:** Separate purchase of Tour-Pak Rear Speaker Enclosure Kit (Part No. 76000505) is required if installing a King Tour-Pak.
- **2014 and later models:** Separate purchase of Harley-Davidson Audio powered by Rockford Fosgate - Tour Pak Speaker Installation Kit (Part No. 76000977) may be required.
- **2014 and later models:** separate purchase of Harley-Davidson Audio powered by Rockford Fosgate - Air-Cooled Lower Speaker Installation Kit (Part No. 76000978) may be required.

⚠ WARNING

Rider and passenger safety depend upon the correct installation of this kit. Use the appropriate service manual procedures. If the procedure is not within your capabilities or you do not have the correct tools, have a **Harley-Davidson dealer perform the installation. Improper installation of this kit could result in death or serious injury. (00333b)**

NOTE

This instruction sheet references service manual information. A service manual for the year and model motorcycle is required for this installation and is available from:

- A Harley-Davidson dealer.
- H-D Service Information Portal, a subscription-based access available for most 2001 and newer models. For more information see *Frequently ask questions about subscriptions*.

Installation by a technician at a Harley-Davidson dealership is recommended.

PREPARE

1. Remove left saddlebag. See service manual.
2. Remove left side cover. See service manual.
3. Remove main fuse. See service manual.

REMOVE

1. Remove right saddlebag. See service manual.
2. Remove right side cover. See service manual.

3. Remove seat. See service manual.
4. **If adding speakers in fairing lowers**, remove fuel tank. See service manual.
5. **If adding speakers in fairing lowers**, remove lower backbone caddy. See service manual.
6. Remove left side caddy. See service manual.
7. Remove top caddy. See service manual.

SADDLEBAG

NOTE

Take extreme caution not to damage painted surface.

Installation differs between Saddlebag Speakers and Fairing Lowers and Tour-Pak speakers. Make no modifications to the left saddlebag if Tour-Pak or Fairing Lowers are being installed.

1. Figure 2 Position drill template (2) on right saddlebag (1).
 - a. Use tape to secure template.
2. Modify right saddlebag (1).
 - a. Center punch drill locations (3, 4, 5) on template.
 - b. **Internal harness hole:** Use 2 1/2-in hole saw.
 - c. **Screw holes:** Use 5.15 mm (13/64-in.) drill bit.
 - d. Figure 7 Trim material to round edge (3).
 - e. Deburr holes by lightly sanding the surface.
 - f. Clean all surfaces of the body work with 50-70% isopropyl alcohol and 30-50% distilled water. Allow to dry completely.
3. Figure 1 Install saddlebag capacity label (14).
 - a. Apply over current capacity label.
4. Figure 3 Position drill template (2) on left saddlebag (3).
 - a. Use tape to secure template.
5. Modify left saddlebag (3).
 - a. Center punch drill location (1) on template.
 - b. **Grommet hole:** Use 19mm (3/4-in) drill bit.
 - c. Deburr hole by lightly sanding the surface.
 - d. Clean all surfaces of the body work with 50-70% isopropyl alcohol and 30-50% distilled water. Allow to dry completely.
6. Figure 7 Install internal harness panel (2).

NOTE

If the internal harness panel does not align with the screw holes in the saddlebag, increase screw hole size using 6.35 mm (1/4-in.) drill bit. Deburr and clean saddlebag.

7. Install screws (1). Tighten.
Torque: 1.1–1.5 N·m (10–13 **in-lbs**) *Internal wire harness screws*
8. Figure 8 Install internal wire harness as shown.
 - a. Install wire harness cover (2).
9. Figure 10 Assemble antenna.
 - a. Install small lock washer (5) and lock washer (4) to antenna base.
 - b. Route antenna base through Amplifier Mount Bracket.
 - c. Install washer (4) and large lock nut (7). Tighten assembly.
 - d. Install Bluetooth antenna. Tighten.
10. Figure 9 Assemble amplifier mounting bracket.
 - a. Install speed nuts (2).
 - b. Install amplifier mount bracket (5) to bracket stud (3).
 - c. Install lock nut (4). Tighten.
 - d. Install amplifier (7).
 - e. Install lock nut (4). Tighten.
11. Figure 13 Install amplifier mount bracket assembly.

NOTE

If saddlebag speakers are being installed, proceed with steps 12 and 13. If Fairing Lowers or Tour-Pak speakers are being installed, skip to step 13.

- a. Figure 11 Test fit mount bracket assembly. Bracket must be straight, centered, and as close to the bottom of the saddlebag as possible.
- b. Figure 12 Use slits in the mounting bracket (1) to bend and conform to the saddlebag contour (2) without rocking. This will ensure better contact and adhesion with the tape. Do not peel tape at this time.
- c. Figure 11 Test fit for final location ensuring bracket is straight, centered, and as close to the bottom of the saddlebag as possible.
- d. Use marker, masking tape or pencil to mark mounting location.
- e. Peel tape from mount bracket assembly.

NOTE

Once the bracket is taped into place it will be very difficult to remove without damaging the bracket.

- f. Install mount bracket assembly to the marked location.
- g. Stand saddlebag up on end and allow tape to cure for at least 24 hours.

12. Figure 4 Install left speaker harness.

NOTE

Only modify left saddlebag (steps 4 and 5) if saddlebag speakers are being installed. If Fairing Lower or Tour Pak speakers are being installed, skip ahead to step 16.

- a. Figure 1 Locate wire harness 69202533 (7).
- b. Figure 4 Route wire harness (5) as shown.
- c. Start with bottom harness wire conduit and work your way, away from grommet that passes through the saddlebag.

NOTE

It is recommended for aesthetic purposes, to trim the third piece of conduit.

- d. The fourth piece of conduit (4) will have to be trimmed to fit height of saddlebag.

NOTE

Check harness placement BEFORE peeling tape backers and applying conduit to saddlebag. Harness length will be EXTREMELY difficult to adjust once multiple conduit pieces have been adhered in place.

- e. Peel adhesive tape on harness wire conduit.
- f. Adhere harness wire conduit as shown.
- g. Route wire harness (5) through grommet hole.
- h. Install grommet (3) on wire harness (5).
- i. Adjust grommet (3) as needed and install in saddlebag.

13. Figure 5 Install right speaker harness.

- a. Figure 1 Locate wire harness 69202891 (19).
- b. Figure 5 Route wire harness (7) as shown.

NOTE

Check harness placement BEFORE peeling tape backers and applying conduit to saddlebag. Harness length will be EXTREMELY difficult to adjust once multiple conduit pieces have been adhered in place.

- c. Peel adhesive tape on harness wire conduit.
- d. Adhere harness wire conduit as shown.

14. See Figure 8 and Figure 10. Connect Internal Wire Harness to Amplifier Assembly.

- a. Connect amplifier connectors [359A] to [359B].

15. See Figure 10. Connect right speaker wires to Amplifier Assembly.

- a. Connect right speaker connectors to [360RB].

16.

NOTE

Figure 6 Speaker connector [360RA] is only used for Tour-Pak or Fairing Lower speaker applications. It will remain unconnected for saddlebag speaker application.

See Figure 8 and Figure 10. Connect Internal Wire Harness to Amplifier Assembly.

- a. Connect speaker connectors [360LA] to [360LB].

17. Figure 14 Install amplifier cover (3).

18. install screws (2). Tighten.

Torque: 1–2 N·m (9–18 **in-lbs**) Amplifier cover screw

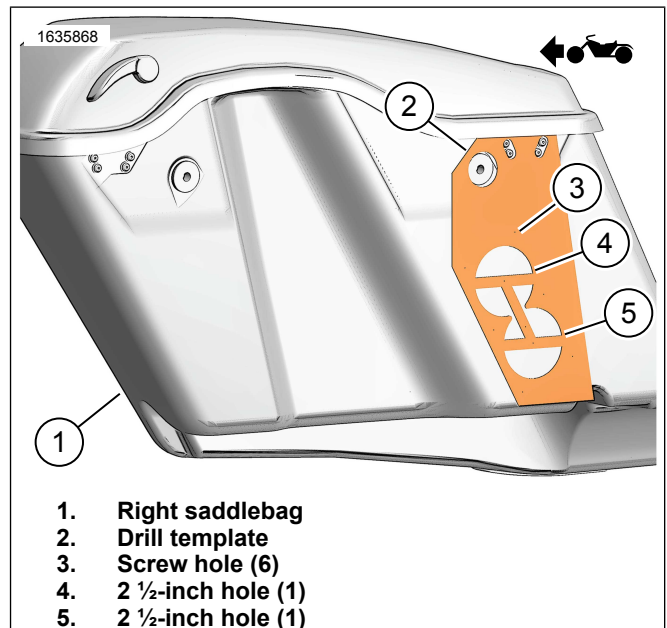


Figure 2. Right Saddlebag

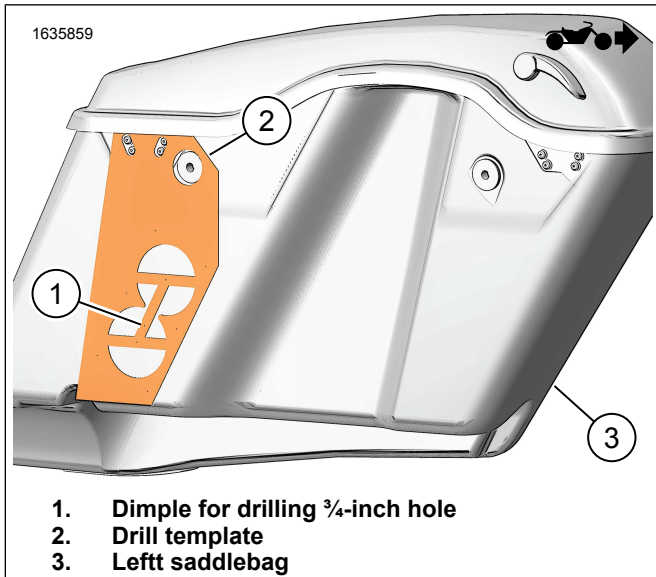


Figure 3. Left Saddlebag

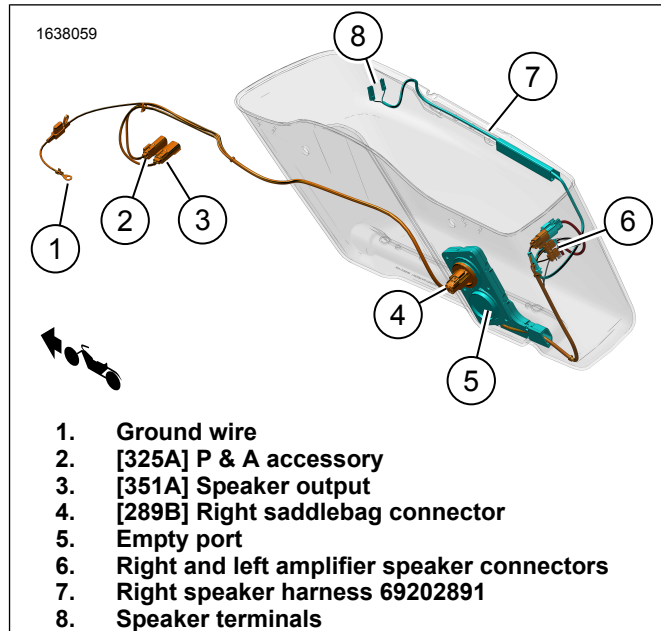


Figure 5. Right Saddlebag Harness Routings

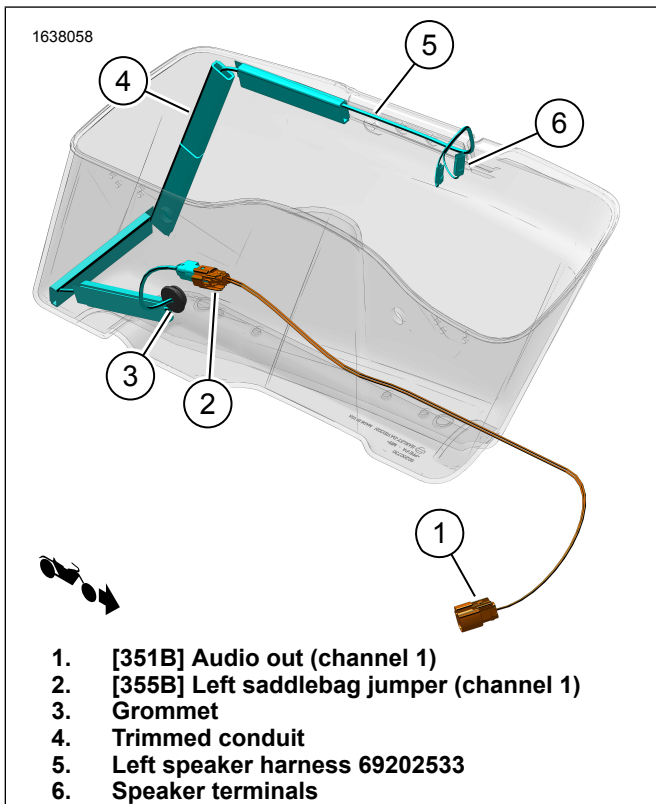


Figure 4. Left Saddlebag Harness Routings

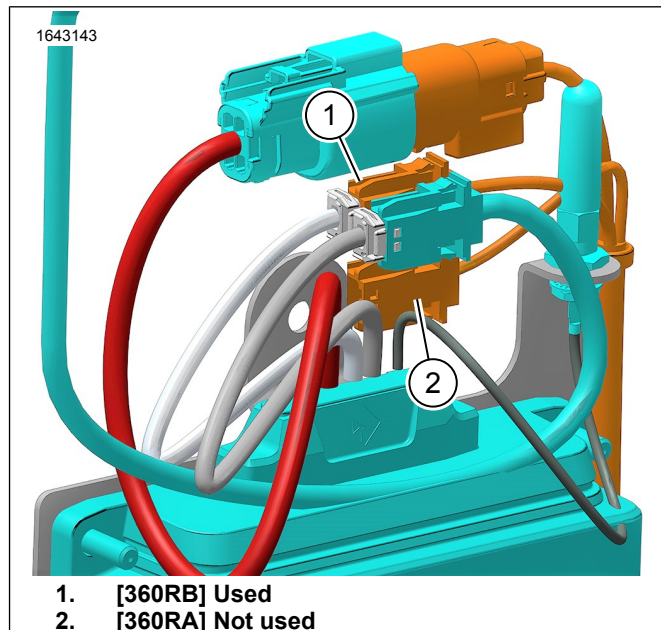


Figure 6. Speaker [360RA] and [360RB]

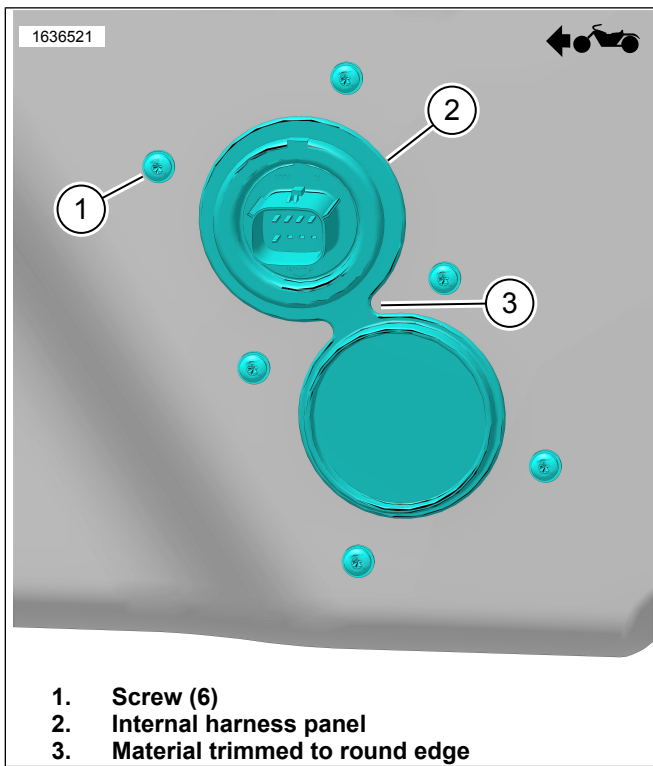


Figure 7. Internal Harness Panel

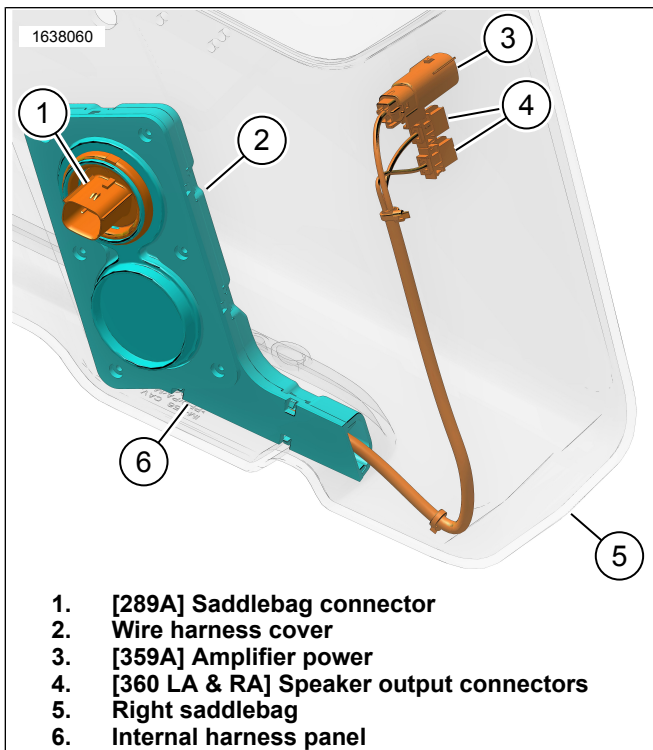


Figure 8. Internal Wire Harness 69202871

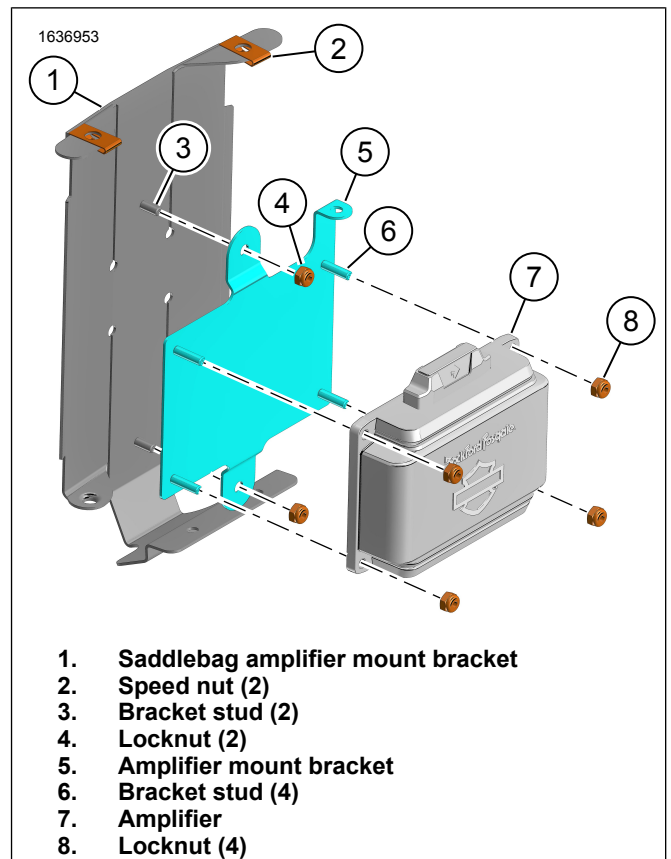
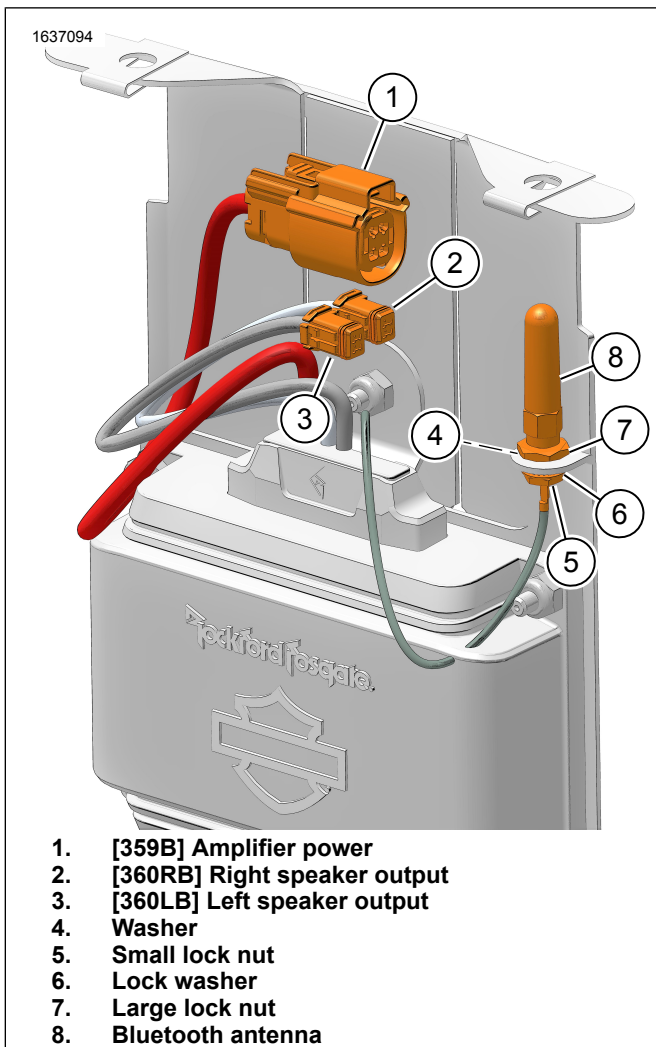
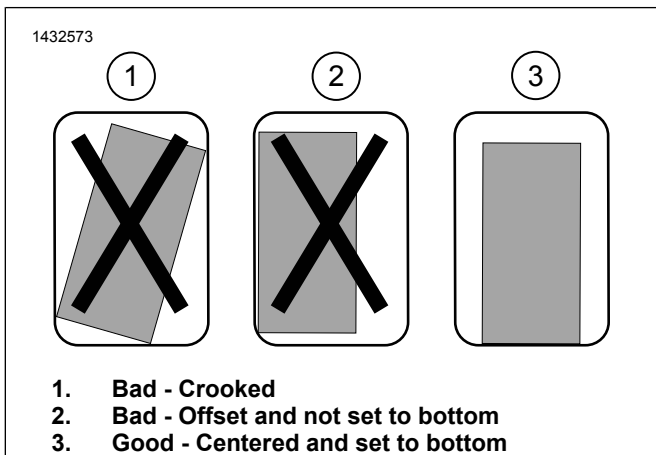


Figure 9. Amplifier Mounting Bracket



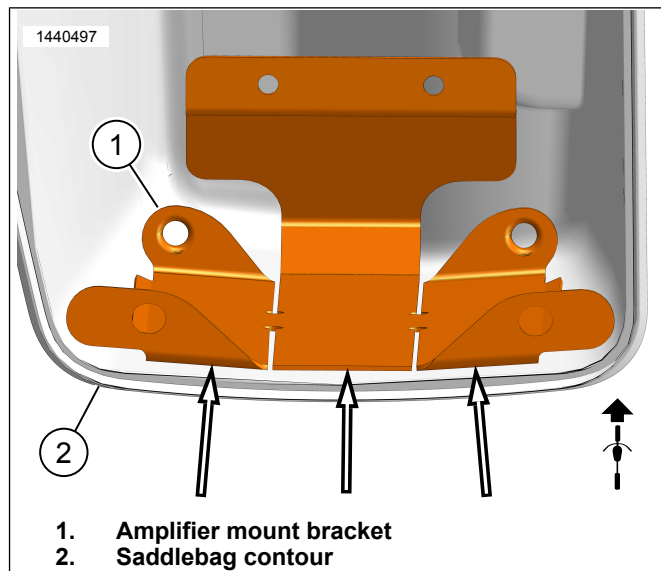
1. [359B] Amplifier power
2. [360RB] Right speaker output
3. [360LB] Left speaker output
4. Washer
5. Small lock nut
6. Lock washer
7. Large lock nut
8. Bluetooth antenna

Figure 10. Amplifier Assembly



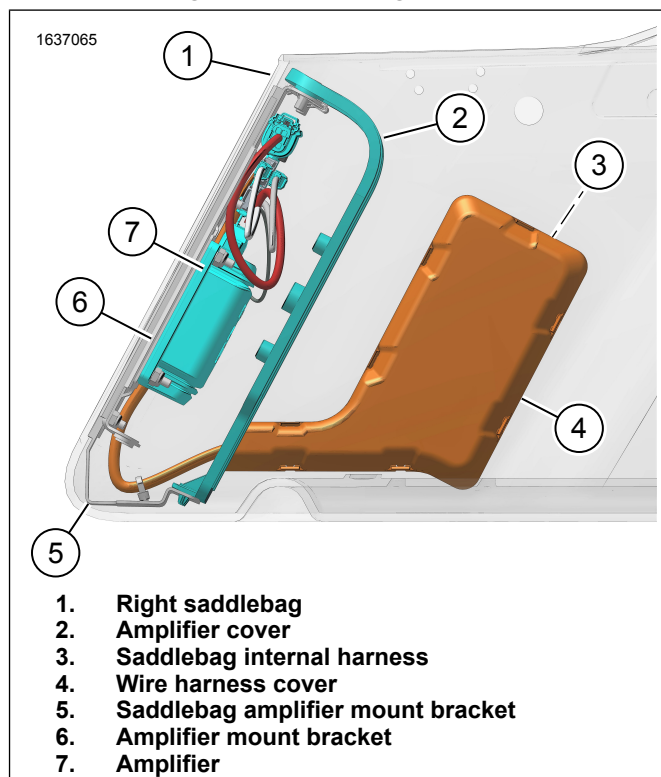
1. Bad - Crooked
2. Bad - Offset and not set to bottom
3. Good - Centered and set to bottom

Figure 11. Mount Bracket Installation



1. Amplifier mount bracket
2. Saddlebag contour

Figure 12. Saddlebag Contour



1. Right saddlebag
2. Amplifier cover
3. Saddlebag internal harness
4. Wire harness cover
5. Saddlebag amplifier mount bracket
6. Amplifier mount bracket
7. Amplifier

Figure 13. Saddlebag Harness with Amplifier

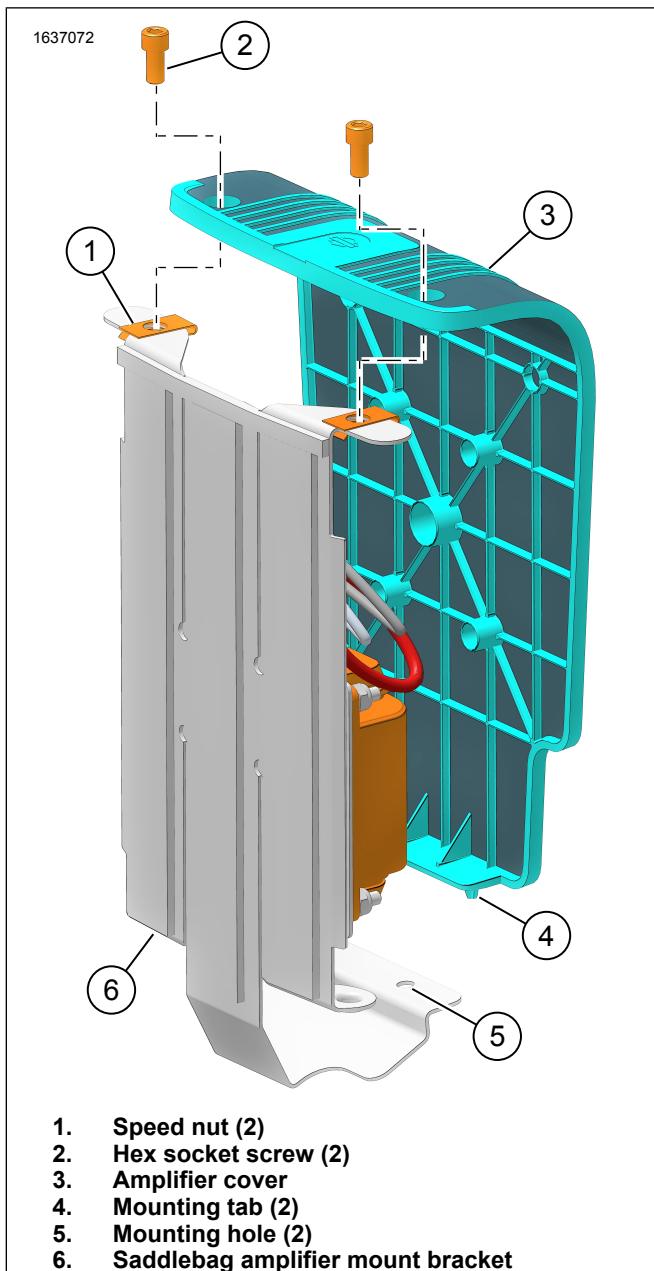


Figure 14. Amplifier Cover

EXTERNAL HARNESSSES

NOTE

Make sure mini-fuse is not installed in external harness 69202870 prior to installation.

1. Figure 15 Connect battery (+) wire (2) to battery (+) terminal. See service manual.
2. **2014-2016 Vehicles:** Route and install harnesses.
 - a. Figure 15 Route [325A] (4) to left side of vehicle frame.
 - b. Figure 16 Connect [3-Pin] (6) of jumper harness (5) to [325A] (4) of external harness 69202870. Figure 15

- c. Figure 16 Connect [8-Pin] (4) of jumper harness (5) to vehicle P & A connector [4]. Located under left side cover area.

3. **2017 and Later Vehicles:** Route and install harness.
 - a. Route [325A] (4) along right side of vehicle frame.
 - b. Figure 15 Connect [325A] to P & A connector [325B]. Located under right side cover area.
4. Figure 15 Route branch [289B] (1) of external harness along frame and fender strut support. Using cable straps, loosely install harness to anchor points. Do not tighten cable straps.
5. Mount right saddlebag to check harness length. Leave enough length to easily connect to saddlebag.
6. Remove right saddlebag and tighten cable straps.
7. Secure remainder of external harness 69202870 to vehicle using cable straps.
8. Figure 16 Route and install jumper harness 69203048 (2).
 - a. Figure 16 Connect [355B] (1) of jumper harness (2) to left saddlebag speaker harness (5). Figure 4
 - b. Mount left saddlebag.
 - c. Figure 16 Route [351B] (3) on jumper harness 69203048 (2) toward [351A] (5) on external harness 69202870. Figure 15
 - d. Connect [351B] and [351A].
 - e. Check harness length. Leave enough length to easily connect to saddlebag.
 - f. Remove left saddlebag.
 - g. Secure remainder of jumper harness 69203048 to vehicle using cable straps.
9. Make sure all wire harnesses are sufficiently secure to avoid contact with moving components.
10. Figure 1 Install 20 amp fuse (18) into external harness fuse holder (3). Figure 15

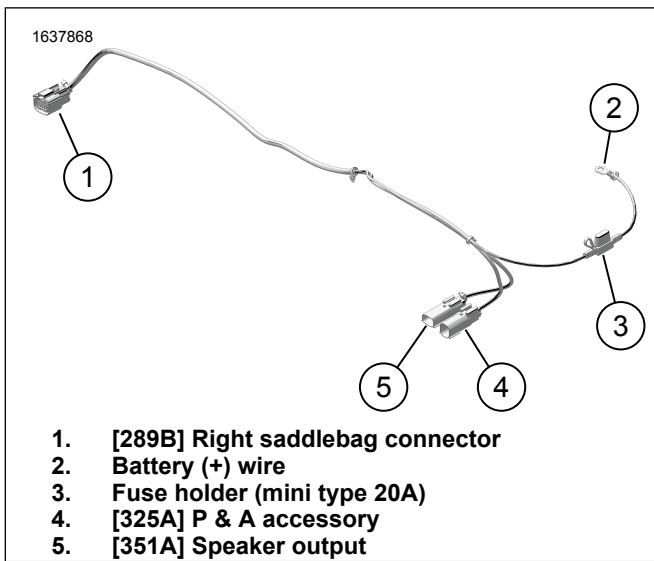


Figure 15. External Harness 69202870

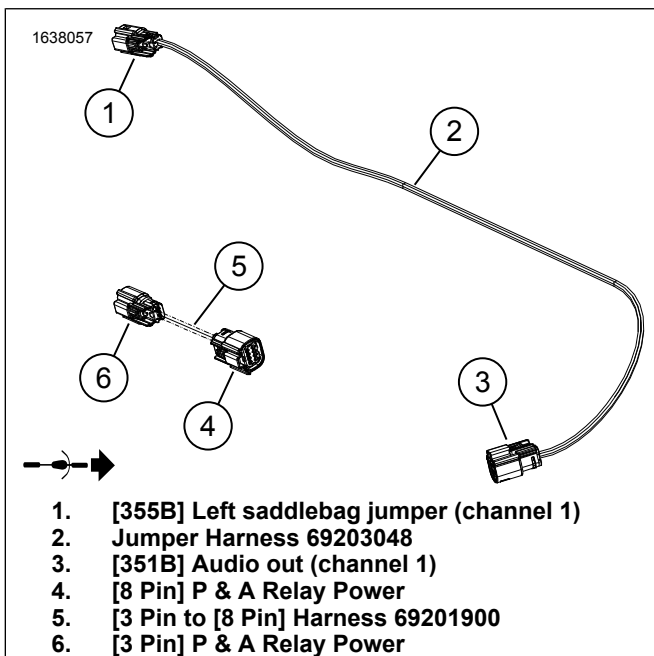


Figure 16. Jumper Harnesses

NON SADDLEBAG SPEAKERS

NOTE

This system **CANNOT** power and operate more than one set of speakers. Only one left and one right, can be installed in either the saddlebags or in the optional installed Fairing Lowers or Tour-Pak with speaker pod kits.

See the P&A retail catalog or the Parts and Accessories section of www.harley-davidson.com (English only). Contact a Harley-Davidson dealership for assistance.

Tour-Pak or Fairing Lower Speaker Setup

1. Install Fairing Lowers or Tour-Pak per instructions in that kit.

2. Route speaker harness along vehicle frame as needed.
3. Connect speakers:
 - a. Connect [360LA] to Left (L).
 - b. Connect [360RA] to Right (R).
4. Figure 15 Connect to [351A] (5).

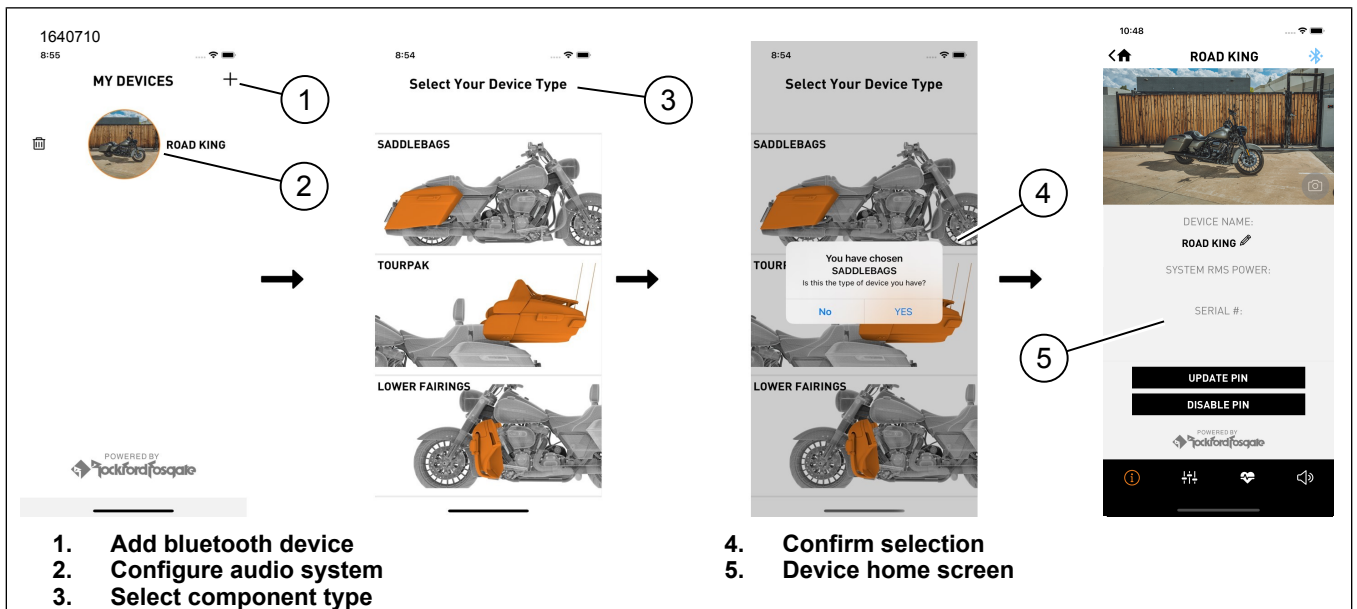
COMPLETE

1. Install top caddy. See service manual.
2. Install left side caddy. See service manual.
3. Install lower backbone caddy, if removed. See service manual.
4. Install fuel tank, if removed. See service manual.
5. Install seat. See service manual.
6. Install main fuse. See service manual.
7. Install side covers. See service manual.
8. Install saddlebags. See service manual.
9. Check for firmware updates. Download as required.

APP SETUP

Vehicle to Bluetooth component should only be paired once unless a new Bluetooth device is being added or because of system component failure.

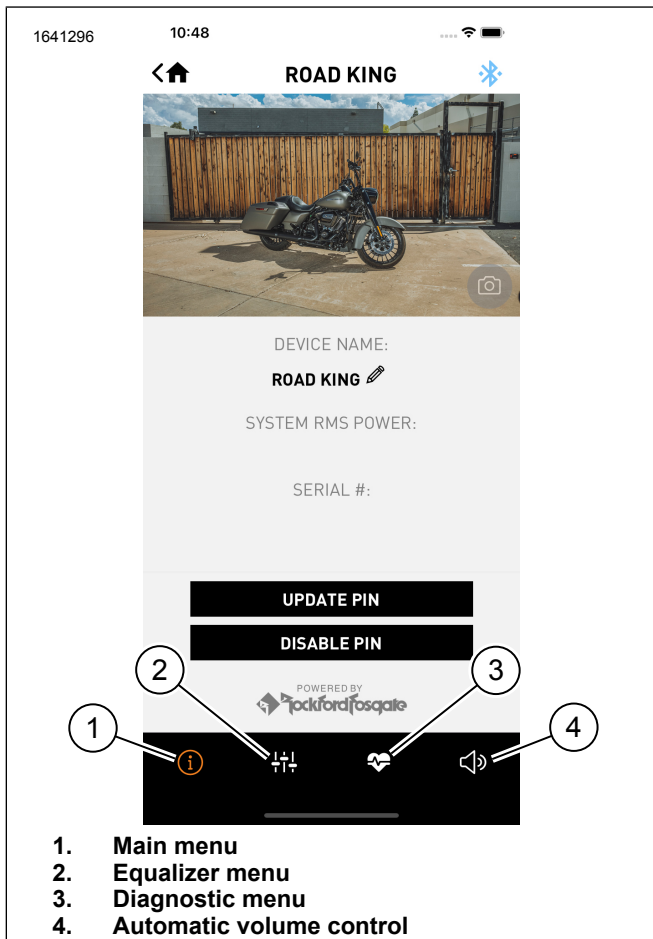
1. Figure 17 Accessing your audio system.
 - a. Pair device (1) to system.
 - b. Access app menus (2) to setup vehicle sound system.
2. Select configuration (3) where speakers have been installed on vehicle.
3. Confirm selection (4).
4. After setup is complete, device home screen (5) will display.
5. Figure 18 Press menu bar icons for:
 - a. Main menu (1)
 - b. Equalizer menu (2)
 - c. Diagnostic menu (3)
 - d. Automatic volume control



1. Add bluetooth device
2. Configure audio system
3. Select component type

4. Confirm selection
5. Device home screen

Figure 17. Setup Process



1. Main menu
2. Equalizer menu
3. Diagnostic menu
4. Automatic volume control

Figure 18. Menu Bar

HARLEY DAVIDSON AUDIO APP PIN RESET

1. With vehicle off, disable Bluetooth on any nearby devices that were connected to the audio system.
2. Perform five key cycles with at least ten seconds between each key cycle.
3. Enable Bluetooth on device to be connected to the audio system.
4. In H-D Audio mobile app reconnect to the system.
5. Create **new** PIN or disable PIN feature.

Firmware Update

1. Figure 19 Red circle indicates that there is an available firmware update (1).
2. Short description of update (2).
 - a. Download and update to update this version.
 - b. Press previous version (3) if that version is desired.
3. Select a version update (3) and proceed with update (4).
 - a. Figure 18 Pressing Main Menu (1) icon will provide more information about the update.
4. Screen shows status of update (5) being applied to amplifier.

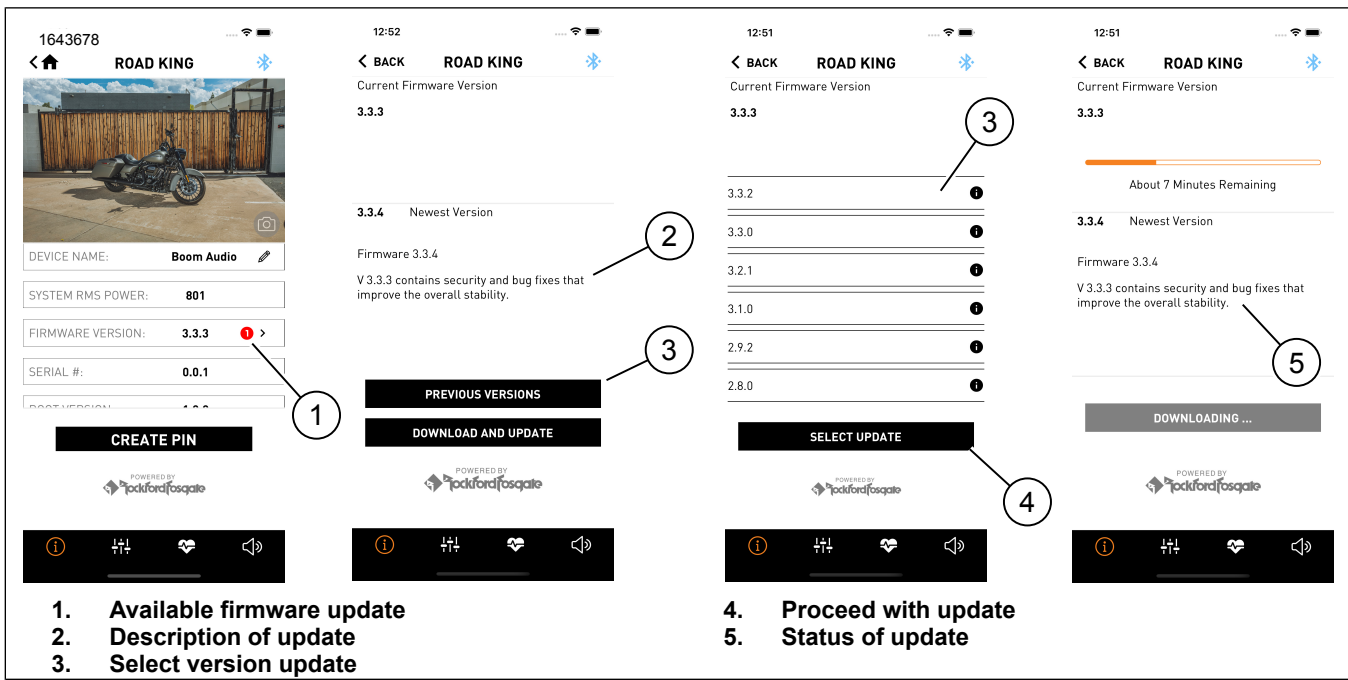


Figure 19.