



INSTRUCTIONS

J06734

2020-03-05



BOOM! AUDIO NO2 HELMET WITH INTEGRATED HEADSET

GENERAL

Kit Number

98208-20VX, 98208-20EX, 98365-19VX, 98365-19EX

Models

For model fitment information, see the Parts and Accessories (P&A) Retail Catalog or the Parts and Accessories section of www.harley-davidson.com (English only). Also see the General Merchandise (GM) catalog.



The internal lithium battery is **NOT** replaceable. Consumers are responsible for recycling used electronics. Dispose in accordance with methods that meet or exceed all state and federal environmental laws.

Visit <https://serviceinfo.harley-davidson.com> for the latest instruction sheet.

INSTALLATION REQUIREMENTS

NOTE

The headset will function differently based on whether it is:

- Paired to the **phone**.
- Paired to the **WHIM**.

*Helmet will **ONLY** pair to Harley-Davidson Boom!™ Box 6.5GT radio via a Wireless Headset Interface Module (WHIM).*

*Helmet **WILL NOT** pair directly to a Harley-Davidson radio via the radio's Bluetooth menu. There is no need to pair a headset to the phone with a WHIM.*

If the vehicle has a WHIM installed, use the following instructions.

Pair with Phone (without WHIM)

Disregard this instruction sheet for all steps related to pairing and radio interaction. See the User's Guide for mobile phone pairing or additional information pertaining to the wireless headset.

Pair with Boom! Box GTS or 6.5 GT Radio

The following items are available at your Harley-Davidson dealership.

- **2014 and later Touring and Trike models:** Separate purchase of WHIM (Part No. 76000768) is required.
- **2014-2018 Touring and Trike models:** Boom! Box 6.5 GT equipped vehicles require separate purchase of WHIM Harness (Part No. 69201726).
- **2014 and later FLHTCU(L), FLHTK(L,SE) and FLHX(S,SE) models:** Satellite radio requires relocation of antenna. New bracket is included in kit.

- Software flash by DIGITAL TECHNICIAN II (PART NUMBER: HD-48650). Performed by Harley-Davidson dealer.
- Radio software updated to most recent version. See www.H-D.com/infotainment-support.

How do I know that I have a WHIM?

If the **Wireless Headset** selection in Step 3 (Figure 4) cannot be found in the menu as directed in the **Wireless Headset Setup**, the WHIM is not installed on the vehicle.

WIRELESS HEADSET

Read the Quick Start Guide for additional information pertaining to the wireless headset operation. Also see www.H-D.com/infotainment-support for the latest version of User's Guide and related information to Boom! Audio Bluetooth products or visit your local Harley-Davidson dealership.

Getting Started

Charge the wireless headset by connecting the supplied Universal Serial Bus (USB) power and data cable into a computer USB port or USB wall charger. Use any standard micro-USB cable to charge the headset. The Light Emitting Diode (LED) turns red while the headset is charging and turns blue when it is fully charged. It takes about 2.5 hours to charged completely.

Headset Software Version

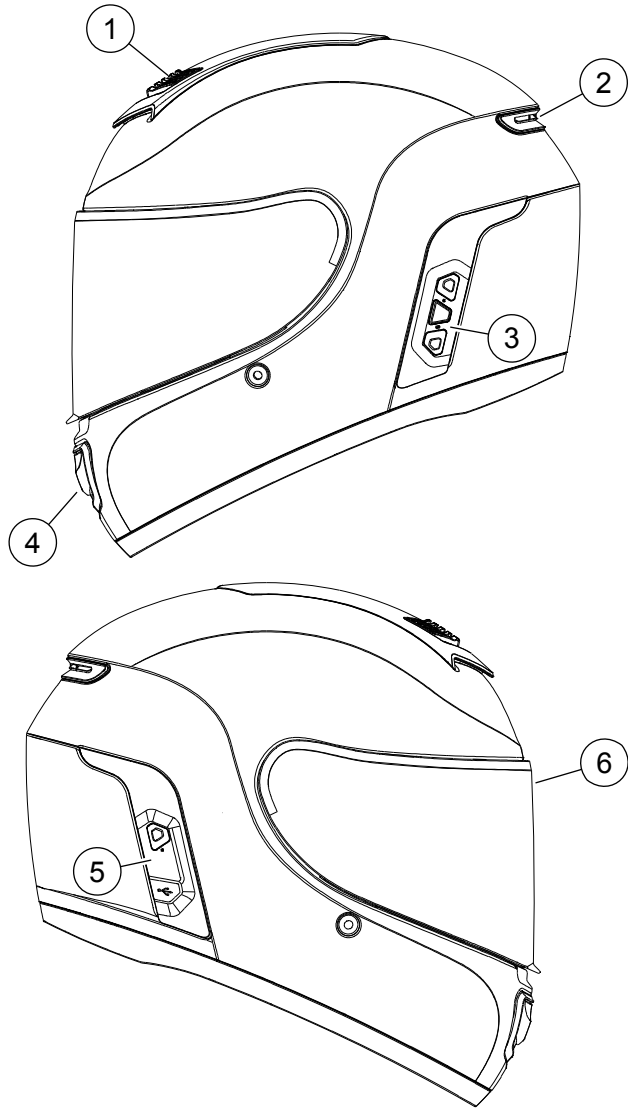
The HELMET WITH INTEGRATED BOOM! AUDIO BLUETOOTH HEADSET supports firmware upgrade function. Visit www.H-D.com/infotainment-support to check for the latest software downloads.

Powering On and Off

- **Powering On:** Press and hold the Center Button and the (+) Button at the same time for 1 second to power on. The blue status LED turns on and you will hear ascending beeps and **Hello**.
- **Powering Off:** Press the Center Button and the (+) Button simultaneously (you do not need to press and hold in order for the system to power off). The red status LED turns on for about 2 seconds until it turns off completely and you will hear **Goodbye** and descending beeps.



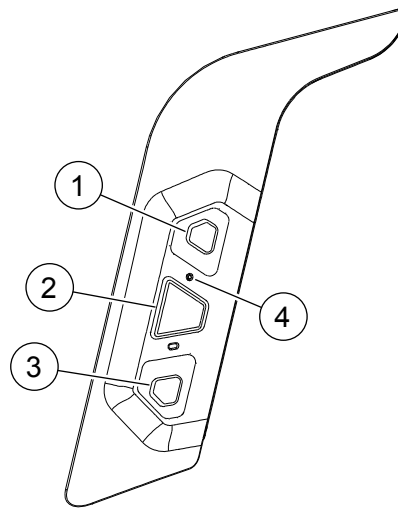
1269909



- 1. Head ventilation
- 2. Exhaust ventilation
- 3. Left headset control
- 4. Chin ventilation
- 5. Right headset control
- 6. Face shield

Figure 1. Boom Audio NO2 30K Helmet

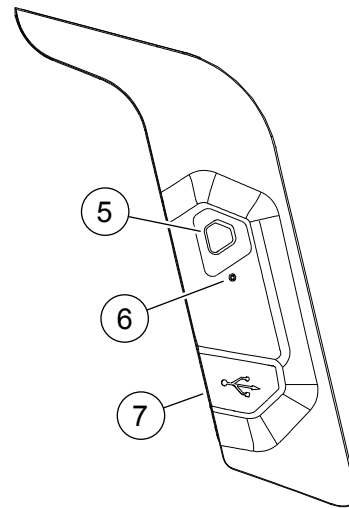
1269901



- 1. (+) Button
- 2. Center button
- 3. (-) Button
- 4. LED Light

Figure 2. Left Headset Control

1269905



- 5. MESH Intercom button
- 6. Charging LED
- 7. DC Power charging and firmware upgrade port

Figure 3. Right Headset Control

Table 1. Half-Helmet Button Function

Item	Description	Function
1	(+) Button	Increase volume
		Track forward
		Scan radio stations
		Speed dial
2	Center button	Answer/End Phone Call
		Reject an Incoming Phone Call
		Start/End Intercom Conversation
		Play/Pause Music
		Enter Intercom Pairing Mode
		Enter Voice Configuration Settings

Table 1. Half-Helmet Button Function

Item	Description	Function
3	(-) Button	Decrease volume
		Track back
		FM Tuner On/Off
4	LED Light	Blue, green or red visual status light.
		Mesh intercom On/Off
5	MESH Intercom button ¹	Create mesh intercom
		Join existing mesh
		Accept participant
		Reject participant
		Charging LED turns red while charging and turns blue when fully charged.
6	Charging LED	Charging LED turns red while charging and turns blue when fully charged.
		Plug into a computer's USB port.
7	DC Power charging and firmware upgrade port	USB-equipped AC adapter via a wall outlet charger.
		USB-equipped AC adapter via a wall outlet charger.

¹ MESH Intercom allows riders to connect and communicate with nearby users without the need to pair each headset together.

WIRELESS HEADSET SETUP

Before using the wireless headset with any Bluetooth devices for the first time, you will need to pair them together. For example, it can be paired with Bluetooth mobile phones, Bluetooth stereo devices such as MP3 players, or motorcycle-specific Bluetooth Global Positioning System (GPS) navigation, and with other Boom! Audio Bluetooth headsets. This pairing operation is only required once for any Bluetooth device. The headset remains paired with the devices and automatically reconnects to them when they are within range. You will hear a high tone single beep and a voice prompt when the headset connects to the paired device automatically:

When a headset is paired to the motorcycle, it will say **Your Headset is Paired, Boom! Audio Connected**. After this initial pairing, every time the headset connects to the motorcycle you will hear **Boom! Audio Connected**.

When a headset is paired to a phone, it will confirm the pairing by saying **Your Headset is Paired**. After this initial pairing, every time the headset reconnects to the phone it will say **Phone Connected**.

Pair Wireless Headset to WHIM

NOTE

Wireless Headset selection **MUST** be used to pair any wireless headset. **DO NOT** use **Bluetooth Setup** for any wireless headset. Use **Bluetooth Setup** for pairing Bluetooth equipped phones or media devices.

1. Turn on wireless headset.

2. **Navigate:** Home > Setup.

3. **NOTE**

Boom! Box GTS radio is shown. Radio screen for 6.5 GT will vary but instruction content is the same.

See Figure 4. **Scroll and Select:** Wireless Headset.

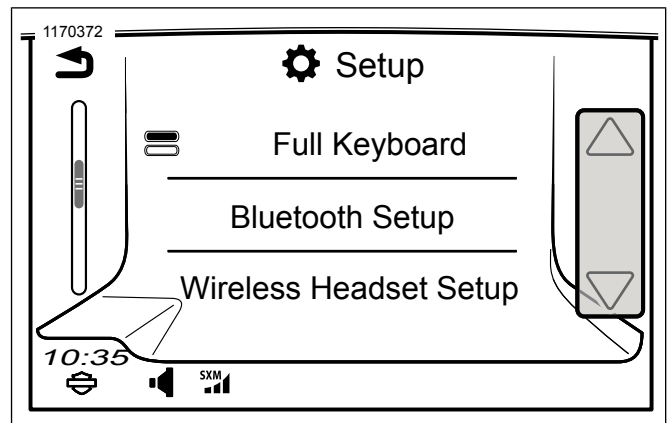


Figure 4. Select Wireless Headset

4. **NOTE**

It does not matter if headset or WHIM (vehicle) is placed into pairing mode first.

See Figure 5. **Select:** Pair Rider headset.

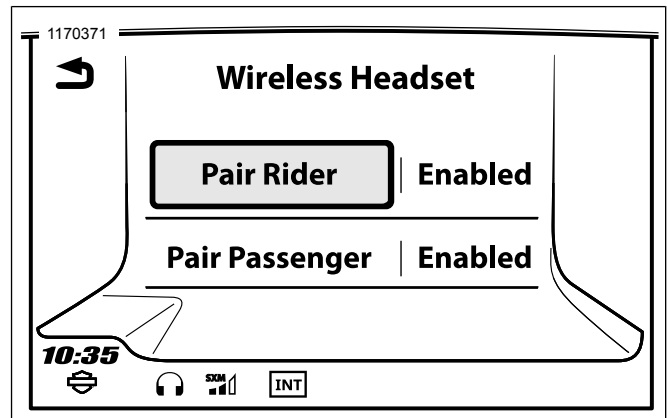


Figure 5. Pair Rider Headset

5. Place headset into pairing mode.

a. **Press:** Center Button for 10 seconds until you hear Configuration Menu.

NOTE

*Continue holding Center Button beyond the 5 second mark when headset audibles **Intercom Pairing**.*

b. **Press:** (+) Button on helmet control.

c. **Audible Confirmation:** Phone Pairing.

6. **NOTE**

Harley-Davidson headsets will show up as Boom Audio followed by product description. See owner's manual of non-Harley-Davidson products for communications display.

Select: Boom Audio N02.

7. See Figure 6. When properly paired the screen will display the following:

a. Model with software version

- b. Bluetooth address
- c. Status of connectivity

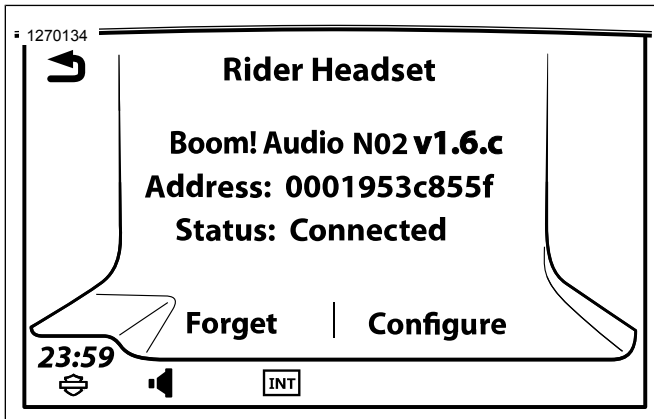


Figure 6. Paired Headset

- 8. Repeat procedure for passenger headset.

Pair Secondary Mobile Phone While Primary Mobile Phone is Connected to WHIM

- 1. Place Headset into the pairing mode.
 - a. **Press:** Center Button for 10 seconds until you hear Configuration Menu.

NOTE

Continue holding Center Button beyond the 5 second mark when headset audibles **Intercom Pairing**.

- b. **Press:** (+) Button twice on helmet control.
 - c. **Audible Confirmation:** Second Mobile Phone Pairing.
 - d. Blue flashing LED indicates device is ready.
- 2. With mobile phone in Bluetooth pairing mode, **select** Boom Audio N02.
- 3. If mobile phone asks for Personal Identification Number (PIN), enter 0000.

Unpair Wireless Headset

- 1. **Navigate:** Home > Setup > Wireless Headset.
- 2. **Select:** Manage Rider or Passenger headset.
- 3. **Select:** Forget. This will delete wireless headset from Boom! System.

Headset Configurations

NOTE

The wireless headset must be turned on and paired with the system for the following configurations to appear on the touchscreen.

All configuration settings are saved within the headset. Therefore these settings will impact every paired device to the headset.

The N02 30K has 14 configuration settings that can be accessed through the Boom! Box Infotainment system. Configuration options are available for Harley 10S, 20S, 20S EVO headsets and N02 30K helmets. They will not appear for non-Harley headsets or the SPH10.

Navigate: Home > Setup > Wireless Headset > Manage Rider or Passenger Headset > Config.

Smart Vol. Control: Automatically adjusts speaker volume based on the amount of environmental noise captured by the microphone. When it is disabled, volume is controlled manually. You can enable it by setting the sensitivity to low, medium, or high. The headset will respond to smaller environmental noises as the sensitivity level becomes higher. This factory setting is disabled.

SideTone: Sidetone is the sound of your own voice as picked up by your headset's microphone and reproduced in your own ear, by your own speaker. It helps you to naturally speak at the correct level according to varying helmet noise conditions. If this feature is enabled, you can hear what you are speaking during an intercom conversation or a phone call. This factory setting is disabled.

Voice Prompt: You can disable voice prompts, but the following voice prompts are always on:

- Voice prompts for configuration setting menu
- Voice prompts for battery level Indicator
- Voice prompts for factory reset
- Voice prompts for speed dial
- Voice prompts for FM radio functions

Adv. Noise Control: When Advanced Noise Control is enabled, the background noise is reduced during an intercom conversation. When it is disabled, the background noise is mixed with your voice during intercom. This factory setting is enabled.

VOX Phone: If this feature is enabled, you can answer incoming calls by simply saying a word loudly enough, unless you are connected to intercom. For example, when you hear a series of beeps for an incoming call, you can answer the phone by saying **Hello** or any other word loudly. However, the VOX Phone feature does not work if you are connected to the intercom. This feature is enabled from the factory but can be disabled through the configuration menu, Device Manager, or the Sena Smartphone App. If this mode is disabled, you have to tap the Jog Dial or the Phone Button to answer an incoming call.

HD Intercom: HD Intercom enhances the two-way intercom audio from normal quality to HD quality. HD Intercom will become temporarily disabled when you enter into a multi-way intercom. If this feature is disabled, the two-way intercom audio will change to normal quality. This factory setting is enabled.

Intercom-Audio Sensitivity (Intercom-Audio Overlay Sensitivity): The music, FM radio and GPS volume will be lowered to play in the background if you talk over the intercom while the overlaid audio is playing. Level 1 is the lowest sensitivity and you will have to speak very loud. Level 5 is the most sensitive and will trigger with very little sound. Pending on riding conditions this may need to be adjusted due to ambient noise. The factory setting is 3.

FM Station Guide: When enabled, FM station frequencies are given by voice prompts as you select preset stations. When disabled, the voice prompts on FM station frequencies will not be given as you select preset stations. This factory setting is enabled.

Radio Data System (RDS) Alternative Frequency (AF): When radio station signals get too weak for a good reception, with RDS AF enabled, the radio receiver re-tunes to a station with better reception. If RDS AF is disabled, you'll have to find stronger stations manually. Factory Default is disabled.

VOX Intercom: Voice Activated Intercom. If this feature is enabled, you can initiate an intercom conversation with the last connected intercom friend by voice. When you want to start intercom, say a word such as **Hello** loudly or blow air into the microphone. If you start an intercom conversation by voice, the intercom terminates automatically when you and your intercom friend remain silent for 20 seconds. However, if you manually start an intercom conversation by tapping the Jog Dial, you have to terminate the intercom conversation manually. This factory setting is disabled.

Audio Overlay Vol. (Audio Overlay Volume Management): The music, FM radio and GPS overlaid audio reduces in volume whenever there is an ongoing intercom conversation. If Audio Overlay Volume Management is enabled, the volume level of the overlaid audio will not be reduced during an intercom conversation. This factory setting is disabled.

Intercom VOX Sensitivity: The sensitivity can be adjusted depending on your riding environment. Level 5 is the highest sensitivity setting and 1 is the lowest. This factory setting is 3.

NOTE

When the creator enables Guest Mode, a virtually unlimited number of guests can connect to a Mesh.

Guest Mode: Guest Mode allows a guest to listen to a closed Mesh conversation. The creator of the Mesh needs to enable Guest Mode before creating the Mesh to allow guests. Guest Mode can be enabled when the guest is in Public Mode and the Mesh Network connection information has been removed. The guest needs to be within range of the Mesh to listen to the closed Mesh conversation. This factory setting is disabled.

Voice Command: The voice command of the headset allows you to operate certain operations by simply using your voice. You can control the headset completely handsfree using the voice recognition. The voice command function works only with English commands. This factory setting is enabled.

Reset Factory Headset Settings

NOTE

When performing this procedure, the link between the Boom! Infotainment system and headset will be broken. The wireless headsets must be paired again for system communications to operate properly.

1. To restore the Boom! Audio N02 30K to factory default settings, press and hold the Phone Button for 12 seconds until the LED shows solid red and you hear double beeps. You will hear a voice prompt saying **Factory reset**.
2. Within 5 seconds, press the center button to confirm reset. The headset will be restored to factory settings and switched off automatically. You will hear a voice prompt saying **Headset reset, good-bye**.

3. If you press the Phone Button or do not press the center button within 5 seconds, the reset attempt is canceled and the headset returns to stand-by mode. A voice prompt will say **Canceled**.
4. Unpair current wireless headset(s) in Boom! System. See Unpair Wireless Headset in this section.
5. Perform pairing procedure. See Wireless Headset Setup in this section.

Fault Reset

When the Boom! Audio N02 30K is not working properly or is in faulty status for any reason, you may reset by pushing the pin-hole reset button at the back of the headset main unit. Insert a paper clip into the reset pin-hole and press the reset button for a second with light pressure. The Boom! Audio N02 30K will be switched off and then turn the system back on and try again. However, this will not restore the headset to factory default settings.

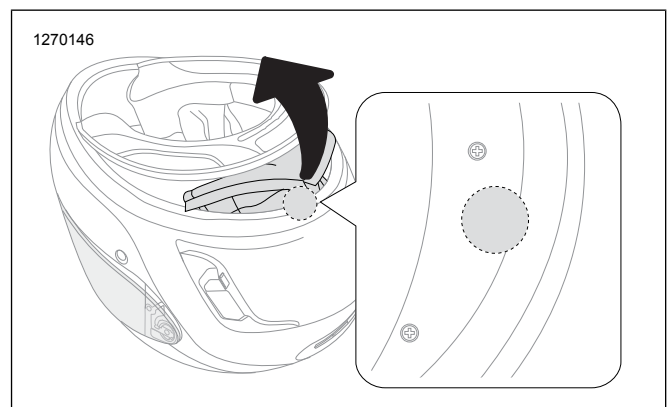


Figure 7. Fault Reset