



INSTRUCTIONS

94100007

2020-03-04



BOOM! AUDIO 10S BLUETOOTH HEADSET

GENERAL

Kit Number

76000837, 76000839

Models

For model fitment information, see the Parts and Accessories (P&A) Retail Catalog or the Parts and Accessories section of www.harley-davidson.com (English only).



The internal lithium battery is **NOT** replaceable. Consumers are responsible for recycling used electronics. Dispose in accordance with methods that meet or exceed all state and federal environmental laws.

Visit <https://serviceinfo.harley-davidson.com> for the latest instruction sheet.

INSTALLATION REQUIREMENTS

NOTE

The headset will function differently based on whether it is:

- Paired to the **WHIM (Wireless Headset Interface Module)**.
- Paired to the **phone**.

Headset will **ONLY** pair to Harley-Davidson Boom!™ Box GTS or 6.5GT radio via a Wireless Headset Interface Module (WHIM).

Headset **WILL NOT** pair directly to a Harley-Davidson radio via the radio's Bluetooth menu.

If the vehicle has a WHIM installed, use the following instructions.

Pair with Boom! Box GTS or 6.5 GT Radio

The following items are available at your Harley-Davidson dealership.

- **2014 and later Touring and Trike models:** Separate purchase of WHIM (Part No. 76000768) is required.
- **2014-2018 Touring and Trike models:** Boom! Box 6.5 GT equipped vehicles require separate purchase of WHIM Harness (Part No. 69201726).
- **2014 and later FLHTCU(L), FLHTK(L,SE) and FLHX(S,SE) models:** Satellite radio requires relocation of antenna. New bracket is included in kit.
- Software flash by DIGITAL TECHNICIAN II (PART NUMBER: HD-48650). Performed by Harley-Davidson dealer.
- Radio software updated to most recent version. See www.H-D.com/infotainment-support.

WIRELESS HEADSET

Read the Quick Start Guide for additional information pertaining to the wireless headset operation. Also see www.H-D.com/infotainment-support for the latest version of User's Guide and related information to Boom! Audio Bluetooth products or visit your local Harley-Davidson dealership.

Getting Started

Charge the wireless headset. The Light Emitting Diode (LED) turns red while the headset is charging and turns blue when it is fully charged. It takes about 2.5 hours to charged completely.

Headset Software Version

The BOOM! AUDIO 10S BLUETOOTH HEADSET supports firmware upgrade function. Visit www.H-D.com/infotainment-support to check for the latest software downloads.

Headset and Clamp Unit

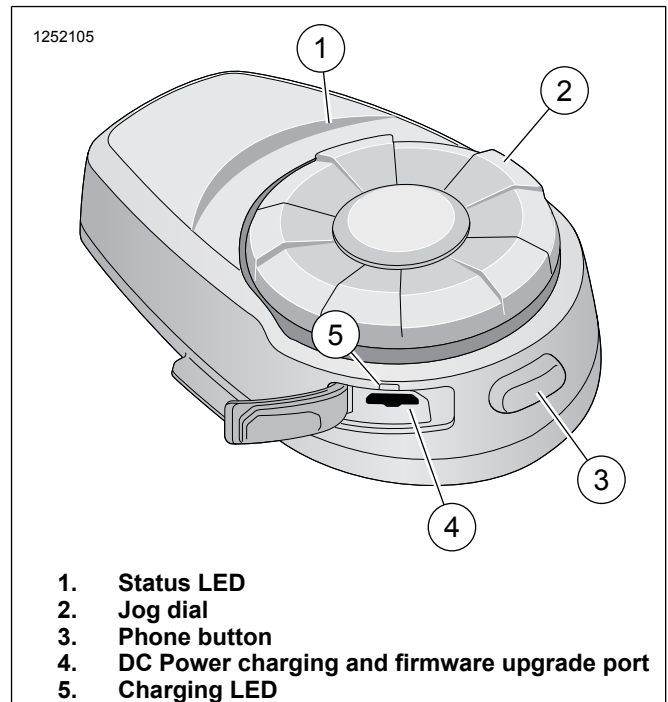


Figure 1. Boom! Audio 10S Headset Layout

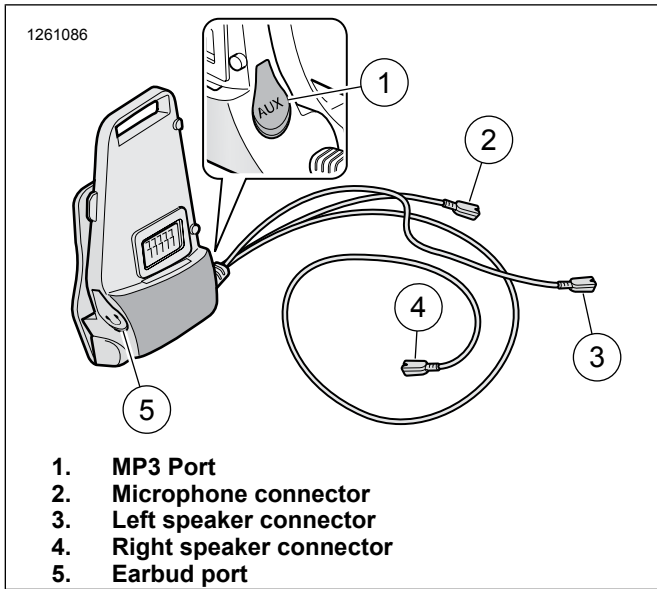


Figure 2. Boom! Audio 10s Headset Clamp Unit

Table 1. 10S Headset Button Function

| Item | Description | Function |
|------|--------------|--|
| 1 | Status LED | Red and blue visual confirmation |
| 2 | Jog dial | Answer and end a mobile phone call |
| | | Reject an incoming mobile phone call |
| | | Start and end an intercom conversation |
| | | Volume adjustment by rotating |
| | | Play and pause Bluetooth stereo device |
| | | Track-forward and track-back by rotating while pressing the button |
| | | Enter into intercom pairing mode |
| | | Enter into voice configuration setting |
| | | Navigate through configuration menu |
| | | Seek FM radio station |
| 3 | Phone button | Answer and end a mobile phone call |
| | | Speed dial |
| | | Call transfer between mobile phone and headset |
| | | Enter into mobile phone pairing mode |
| | | Enter into Bluetooth stereo device pairing mode |
| | | Enter into factory reset mode |
| | | Turn on/off FM radio |

Table 1. 10S Headset Button Function

| Item | Description | Function |
|------|----------------------------|--|
| 4 | Charging and Firmware Port | Plugged into a computer's Universal Serial Bus (USB) port |
| | | USB-equipped Alternating Current (AC) adapter via a wall-outlet charger |
| 5 | Charging LED | Charging LED turns red while charging and turns blue when fully charged. |

Pair Wireless Headset to WHIM

NOTE

Wireless Headset selection **MUST** be used to pair any wireless headset. **DO NOT** use **Bluetooth Setup** for any wireless headset. Use **Bluetooth Setup** for pairing Bluetooth equipped phones or media devices.

1. Turn on wireless headset.
 - a. **Powering On:** Press the Phone Button and the Jog Dial at the same time while hearing ascending beeps and a voice prompt, **Hello**.

2. **Navigate:** Home > Setup.

3. NOTE

Boom! Box GTS radio is shown. Radio screen for 6.5 GT will vary but instruction content is the same.

See Figure 3. **Scroll and Select:** Wireless Headset Setup.

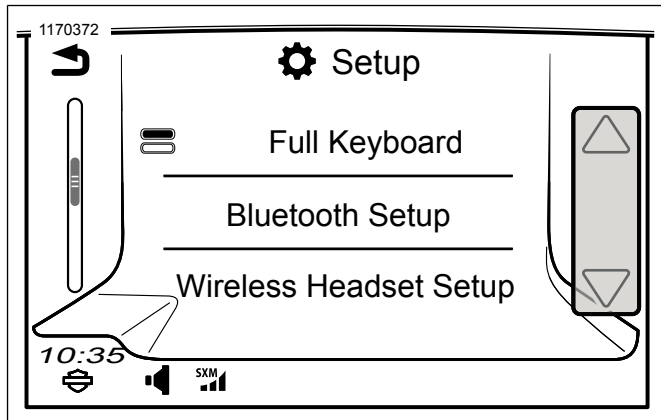


Figure 3. Select Wireless Headset

4. NOTE

It does not matter if headset or WHIM (vehicle) is placed into pairing mode first.

See Figure 4. **Select:** Pair Rider.

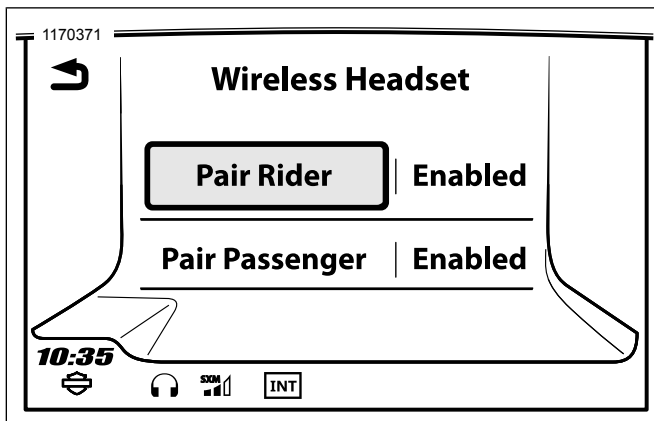


Figure 4. Pair Rider Headset

5. Place headset into pairing mode.
 - a. **Press:** Phone Button for 5 seconds or until the headset enters the phone pairing menu.
6. **Select:** Boom Audio 10S.
7. See Figure 5. When properly paired the screen will display the following:
 - a. Model with software version (version will vary)
 - b. Bluetooth address (address will vary)
 - c. Status of connectivity

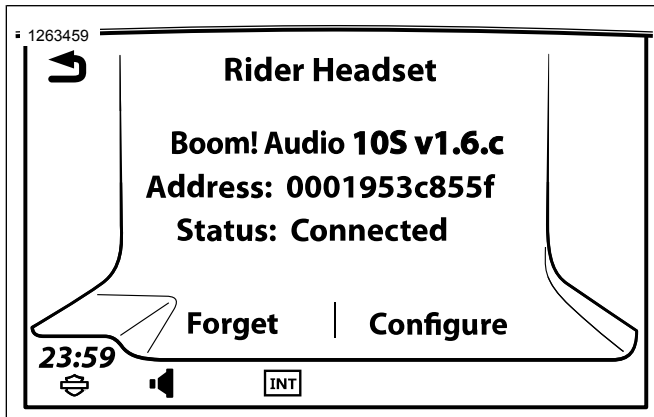


Figure 5. Headset Status

8. When headset is paired to the vehicle there will be an audible confirmation.
9. Repeat procedure for passenger headset.

Headset Configurations

NOTE

The wireless headset must be turned on and paired with the system for the following configurations to appear on the touchscreen.

All configuration settings are saved within the headset. Therefore these settings will impact every paired device to the headset.

The10S has 7 configuration settings that can be accessed through the Boom! Box Infotainment system.

Navigate: Home > Setup > Wireless Headset > Manage Rider or Passenger Headset > Config.

SideTone: Sidetone is the sound of your own voice as picked up by your headset's microphone and reproduced in your own ear, by your own speaker. It helps you to naturally speak at the correct level according to varying helmet noise conditions. If this feature is enabled, you can hear what you are speaking during an intercom conversation or a phone call. This factory setting is disabled.

Voice Prompt: You can disable voice prompts, but the following voice prompts are always on:

- Voice prompts for configuration setting menu
- Voice prompts for battery level Indicator
- Voice prompts for factory reset
- Voice prompts for speed dial
- Voice prompts for FM radio functions

Adv. Noise Control: When Advanced Noise Control is enabled, the background noise is reduced during an intercom conversation. When it is disabled, the background noise is mixed with your voice during intercom. This factory setting is enabled.

VOX Phone: If this feature is enabled, you can answer incoming calls by simply saying a word loudly enough, unless you are connected to intercom. For example, when you hear a series of beeps for an incoming call, you can answer the phone by saying **Hello** or any other word loudly. However, the VOX Phone feature does not work if you are connected to the intercom. This feature is enabled from the factory but can be disabled through the configuration menu, Device Manager, or the Sena Smartphone App. If this mode is disabled, you have to tap the Jog Dial or the Phone Button to answer an incoming call.

HD Intercom: HD Intercom enhances the two-way intercom audio from normal quality to HD quality. HD Intercom will become temporarily disabled when you enter into a multi-way intercom. If this feature is disabled, the two-way intercom audio will change to normal quality. This factory setting is enabled.

Radio Data System (RDS) Alternative Frequency (AF): RDS AF allows a receiver to re-tune to the second frequency location when the first signal becomes too weak. With RDS AF enabled on the receiver, a radio station with more than one frequency can be used. Factory Default is disabled.

VOX Intercom: Voice Activated Intercom. If this feature is enabled, you can initiate an intercom conversation with the last connected intercom friend by voice. When you want to start intercom, say a word such as **Hello** loudly or blow air into the microphone. If you start an intercom conversation by voice, the intercom terminates automatically when you and your intercom friend remain silent for 20 seconds. However, if you manually start an intercom conversation by tapping the Phone Button, you have to terminate the intercom conversation manually. However, if you start intercom by voice and end it manually by tapping the Jog Dial, you will not be able to start intercom by voice temporarily. In this case, you have to tap the Jog Dial to restart the intercom. This is to prevent repeated unintentional intercom connections by strong wind noise. After rebooting the headset, you can start intercom by voice again.

Unpair Wireless Headset

1. **Navigate:** Home > Setup > Wireless Headset.
2. **Select:** Manage Rider or Passenger headset.
3. **Select:** Forget. This will delete wireless headset from Boom! System.

Reset Factory Headset Settings

NOTE

When performing this procedure, the link between the Boom! Infotainment system and headset will be broken. The wireless headsets must be paired again for system communications to operate properly.

1. To restore the Boom! Audio 10S to factory default settings, press and hold the Phone Button for 10 seconds until the LED shows solid red. You will hear a voice prompt saying **Factory reset**.
2. Within 10 seconds, press the Jog Dial to confirm reset. The headset will be restored to factory settings and switched off automatically. You will hear a voice prompt saying **Headset reset, good-bye**.
3. If you press the Phone Button or do not press the Jog Dial within 10 seconds, the reset attempt is canceled and the headset returns to stand-by mode. A voice prompt will say **Canceled**.

Fault Reset

See Figure 6. When the Boom! Audio 10S is not working properly or is in faulty status for any reason, you may reset by pushing the pin-hole reset button at the back of the headset main unit. Insert a paper clip into the reset pin-hole and press the reset button for a second with light pressure. The Boom! Audio 10S will be switched off and then turn the system back on and try again. However, this will not restore the headset to factory default settings.

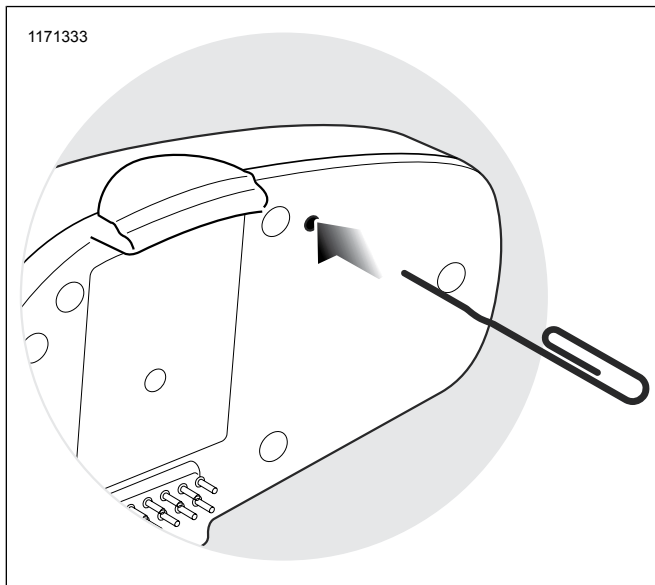


Figure 6. Fault Reset