



# INSTRUCTIONS

94100364

2024-10-25



## STAGE I, II, III SPEAKER KIT-SADDLEBAG LID (PN 76001291, 76001292, 76001299)

### GENERAL INFORMATION

Table 1. General Information

Kits	Suggested Tools	Skill Level <sup>(1)</sup>
76001291, 76001292, 76001299	Safety Glasses, Torque Wrench	
<i>(1) Tightening to torque value or other moderate tools and techniques required</i>		

### KIT CONTENTS



Figure 1. Kit Contents: Stage I, II, III Saddlebag Lid Speaker Kit

**Table 2. Kit Contents: Stage I, II, III Saddlebag Lid Speaker Kit**

<input checked="" type="checkbox"/> Verify that all contents are present in the kit before installing or removing items from vehicle.					
<input type="checkbox"/>	Item	Qty	Description	Part No.	Notes
<input type="checkbox"/>	1	1	Grille, saddlebag speaker, Stage I, right	76001249	
<input type="checkbox"/>			Grille, saddlebag speaker, Stage II & III, right	76001138	
<input type="checkbox"/>	2	1	Speaker, 5x7 Stage I, right	76001280	
<input type="checkbox"/>	3	1	Speaker, 5x7 Stage I, left	76001281	
<input type="checkbox"/>	4	1	Speaker, 5x7 Stage II, right	76001133	
<input type="checkbox"/>	5	1	Speaker, 5x7 Stage II, left	76001183	
<input type="checkbox"/>	6	1	Speaker, 6x9 Stage III, right	76001134	
<input type="checkbox"/>	7	1	Speaker, 6x9 Stage III, left	76001182	
<input type="checkbox"/>	8	1	Grille, saddlebag speaker, Stage I, left	76001250	
<input type="checkbox"/>			Grille, saddlebag speaker, Stage II & III, left	76001139	
<input type="checkbox"/>	9	1	Warning label, saddlebag capacity, 5x7 speaker	14003785	
<input type="checkbox"/>			Warning label, saddlebag capacity, 6x9 speaker	14003811	

**GENERAL**

**Models**

For model fitment information, see the Parts and Accessories (P&A) Retail Catalog or the Parts and Accessories section of [www.harley-davidson.com](http://www.harley-davidson.com).

**Fits:** 2023 CVO Street Glide (FLHXSE), Road Glide (FLTRXSE) and 2024 Street Glide (FLHX), Road Glide (FLTRX).

Verify that the most current version of the instruction sheet is used. It is available at: [h-d.com/isheets](http://h-d.com/isheets)

Contact Harley-Davidson Customer Support Center at 1-800-258-2464 (U.S. only) or 1-414-343-4056.

**Installation Requirements**

**▲ WARNING**

**Rider and passenger safety depend upon the correct installation of this kit. Use the appropriate service manual procedures. If the procedure is not within your capabilities or you do not have the correct tools, have a Harley-Davidson dealer perform the installation. Improper installation of this kit could result in death or serious injury. (00333b)**

*NOTE*

*This instruction sheet references service manual information. A service manual for the year and model motorcycle is required for this installation and is available from:*

- A Harley-Davidson dealer.
- H-D Service Information Portal, a subscription-based access available for most 2001 and newer models. For more information see *Frequently ask questions about subscriptions*.

These items are available at a Harley-Davidson dealership.

- **2024-later FLHX and FLTRX:** Separate purchase of Speaker Harness Install Kit (Part No. 76001300) is required for this installation.
- **2024-later FLHX and FLTRX:** Separate purchase of Primary Amplifier (Part No. 76001294) is required for this installation.
- **2024-later FLHX and FLTRX:** Separate purchase of Saddlebag Speaker Lid Kit is required for this installation. Contact a Harley-Davidson dealership.

Installation by a technician at a Harley-Davidson dealership is recommended.

To ensure proper audio performance, speaker set up in the Infotainment Control Unit (IFCU) **OR** Digital Technician II (DT II) is required for audio configuration and amplifier firmware update.

*NOTE*

*Ensure to select the proper stage speaker during set up for proper audio functionality and speaker performance. If the wrong stage is selected, this may lead to poor speaker performance and damage.*

**PREPARE**

*NOTE*

**Models with security:** Disable security system.

1. Remove left saddlebag. See service manual.
2. Remove left side cover. See service manual.
3. Remove main fuse. See service manual.

## REMOVE

### NOTE

New speaker components are shown in graphic, Original Equipment Manufacturer (OEM) is similar.

If speakers are already installed, follow this procedure.

1. Disconnect OEM audio harness connectors.
2. Figure 2 Remove grille screws (4).
3. Remove OEM speaker grille (1).
4. Remove speaker screws (5).
5. Remove OEM speaker (2) from saddlebag lid.
6. Repeat procedure for opposite side.

## INSTALL

### NOTE

Unfinished saddlebag covers must be painted before speaker installation.

The long screw (5), short screw (4), spacer (3) and harness are included in SADDLEBAG SPEAKER HARNESS INSTALL KIT (Part No. 76001300). See Installation Requirements.

1. Figure 1 Install speaker (2-7) into saddlebag lid.
  - a. Figure 3 Orient speaker to saddlebag lid.
2. Figure 2 Install speaker screws (5).
  - a. Alternately tighten screws.
  - b. Tighten.  
Torque: 2–2.5 N·m (18–22 **in-lbs**) *Speaker screw*
3. Make sure spacers (3) are properly seated in saddlebag lid.
4. Install speaker grille (1) to saddlebag lid.
5. Install grille screws (4).
  - a. Alternately tighten screws.
  - b. Tighten.  
Torque: 2–2.5 N·m (18–22 **in-lbs**) *Speaker grille screw*
6. Connect audio harness connectors.
7. Figure 1 Install saddlebag capacity label (9).
  - a. Apply over current label.
8. Repeat procedure for opposite side.

## COMPLETE

### NOTE

To prevent possible damage to the sound system, verify that the ignition is OFF **before** installing the main fuse.

1. Install main fuse. See service manual.
2. Turn the ignition ON, but do not start the motorcycle.
3. Make sure that all speakers are working and front/rear fader function is operating correctly. If not, check speaker wiring.
4. Install left side cover. See service manual.
5. Install left saddlebag. See service manual.

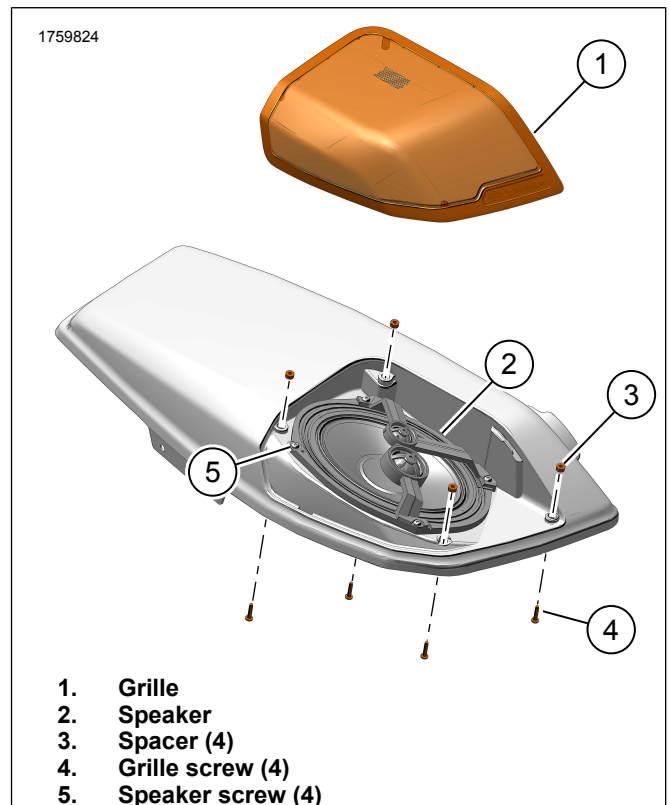
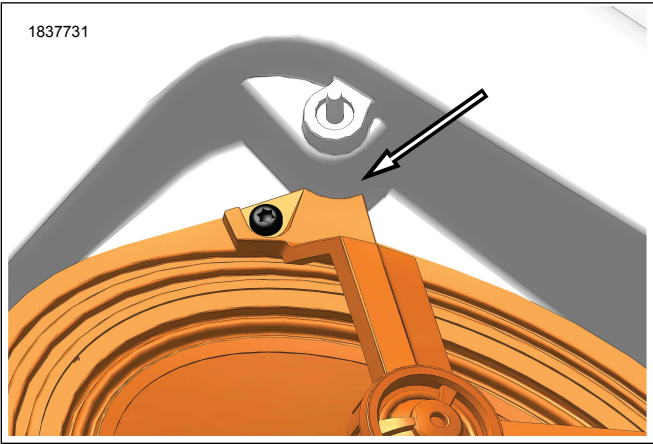


Figure 2. Speaker and Grille Assembly (Typical)



**Figure 3. Speaker to Saddlebag Lid Orientation**