



INSTRUCTIONS

J06573

2024-11-01



SOFTAIL PASSENGER FOOTBOARD KIT

GENERAL

Kit Numbers

50501113, 50501114, 50501117, 50501118

Models

For model fitment information, see the P&A Retail Catalog or the Parts and Accessories section of www.harley-davidson.com (English only).

Installation Requirements

Proper installation of these kits require the separate purchase of the following parts which are available at a Harley-Davidson dealer.

- Passenger Footboard Kit
- LOCTITE 243 MEDIUM STRENGTH THREADLOCKER AND SEALANT (BLUE) (99642-97)

Kit Contents

See Figure 8, Figure 9, Figure 10 and Table 1.

INSTALLATION

Right Side

1. Beginning on right side of the vehicle, remove the existing foot peg and attaching hardware, if equipped. If not equipped, remove the plastic hole cover.
2. **For FXBR/S, FXBB, FLFB/S, FLSL and FXLR models,** see Figure 1. **For FLSB, FLHC and FLDE models,** see Figure 2. Position footboard mount. Apply Loctite 243 threadlocker to the socket head capscrew and insert it through the floor board assembly and proper adapter, and into the mounting hole.

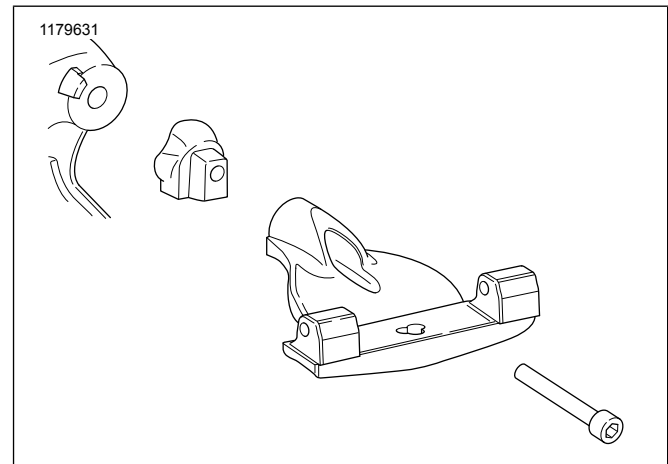


Figure 1. Right Side Installation: FXBR/S, FXBB, FLFB/S, FLSL, FXLR

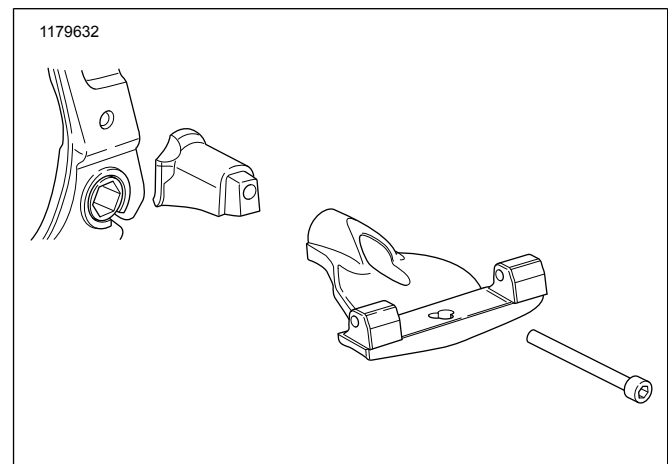


Figure 2. Right Side Installation: FLSB, FLHC, FLDE

3. Position the clocking mechanism in the adapter in the mount around the mating geometry on the vehicle.
4. Tighten footboard support mounting screw.
Torque: 61.0–67.8 N·m (45–50 ft-lbs)
5. See Figure 3. Insert spring into retaining hole in footboard support. Rest ball on top of spring.



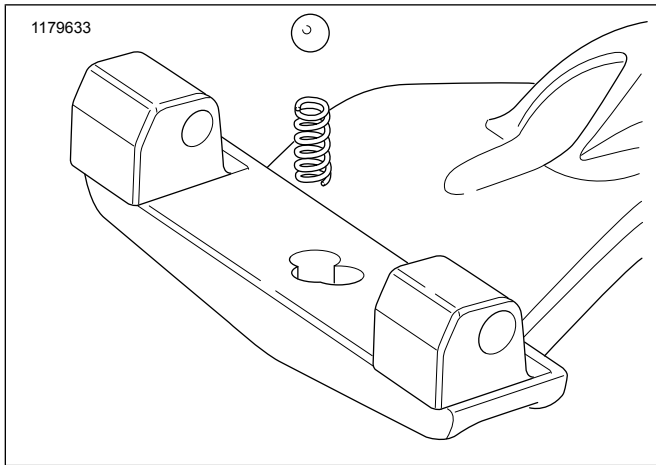


Figure 3. Installing Ball and Spring

6. Position footboard pan (sold separately) onto footboard support. Be careful not to unseat ball.
7. Refer to the appropriate i-sheet for instructions on how to install the floorboard and pivot pins for your application.

Left Side

1. Remove the existing foot peg and attaching hardware, if equipped. If not equipped, remove the plastic hole cover.
2. **For FXBR/S, FXBB, FLFB/S, FLSL and FXLR models,** see Figure 4. **For FLSB, FLDE and FLHC models,** see Figure 5. Position footboard mount. Apply Loctite 243 threadlocker to the socket head capscrew and insert it through the floor board assembly and proper adapter, and into the mounting hole.

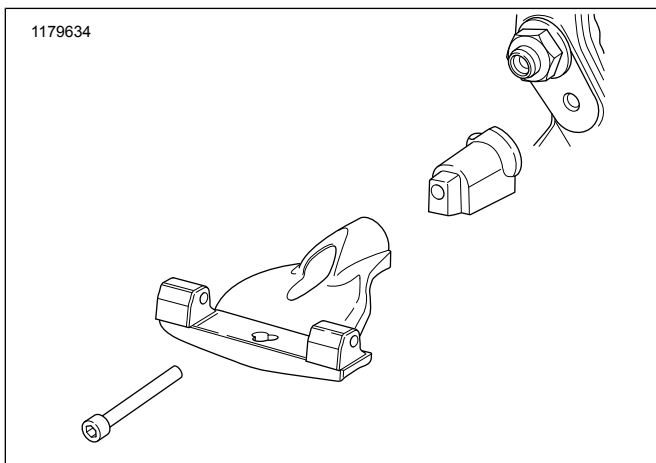


Figure 4. Left Side Installation: FXBR/S, FXBB, FLFB/S, FLSL, FXLR

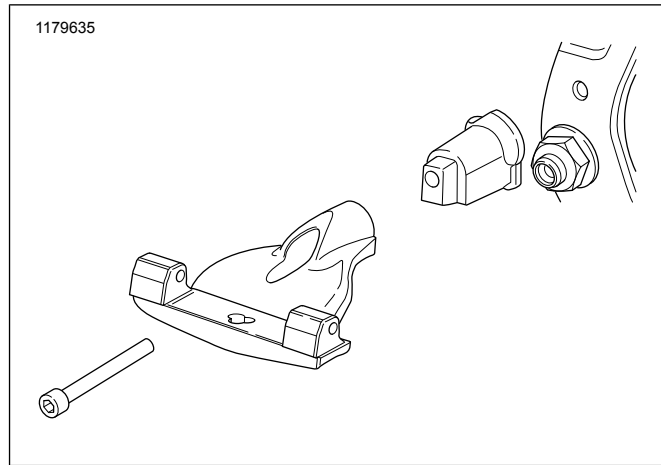


Figure 5. Left Side Installation: FLSB, FLHC, FLDE

3. Position the clocking mechanism in the adapter in the mount around the mating geometry on the vehicle.

NOTE

For FXBR/S, FXBB, FLFB/S, FLSB and FLSL models with detachable saddlebags, see Figure 6. The provided pin and longer screw are to be inserted into the left adapter, and interface with the saddlebag docking point mount.

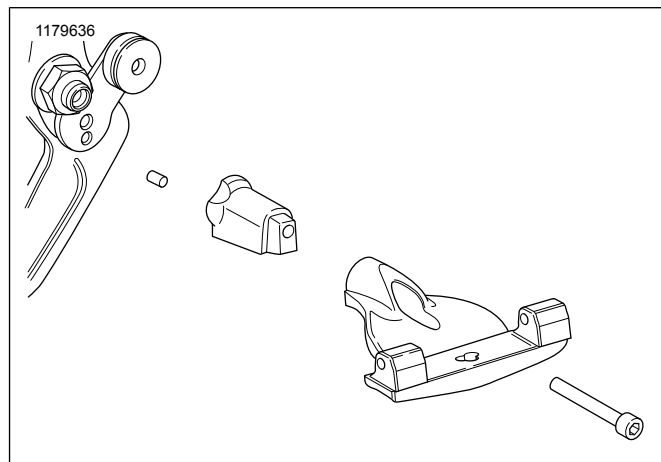


Figure 6. Detachable Saddlebag Mounting Method: Left Side

4. Tighten footboard support mounting screw.
Torque: 61.0–67.8 N·m (45–50 ft-lbs)
5. See Figure 3. Insert spring into retaining hole in footboard support. Rest ball on top of spring.
6. Position footboard pan (sold separately) onto footboard support. Be careful not to unseat ball.
7. Refer to the appropriate i-sheet for instructions on how to install the floorboard and pivot pins for your application.

Models with Saddlebag Guards

See Figure 7. For models with saddlebag guards installed, the longer screw must be used.

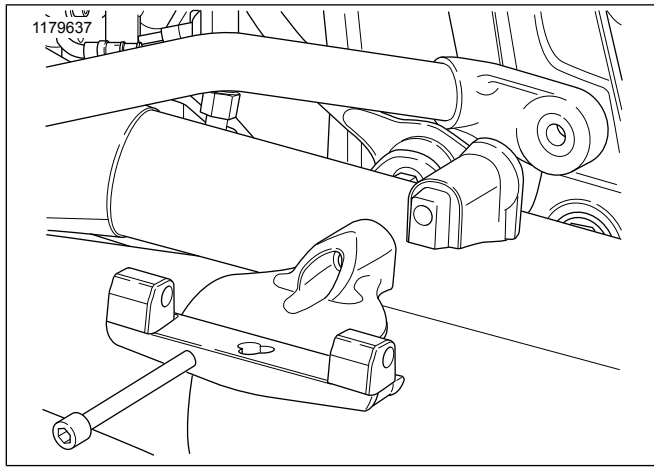


Figure 7. Saddlebag Guards with Long Screw

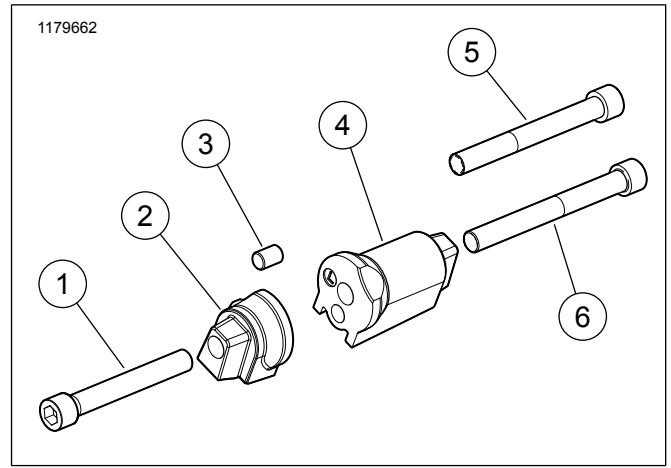


Figure 9. Service Parts: Kit 50501117

SERVICE PARTS

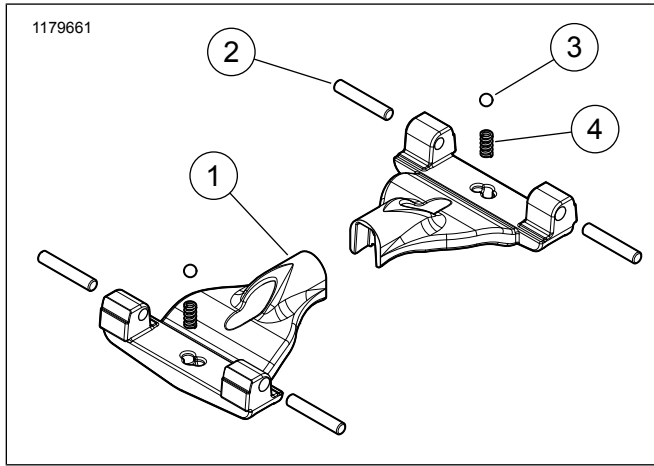


Figure 8. Service Parts: Kits 50501113 and 50501114

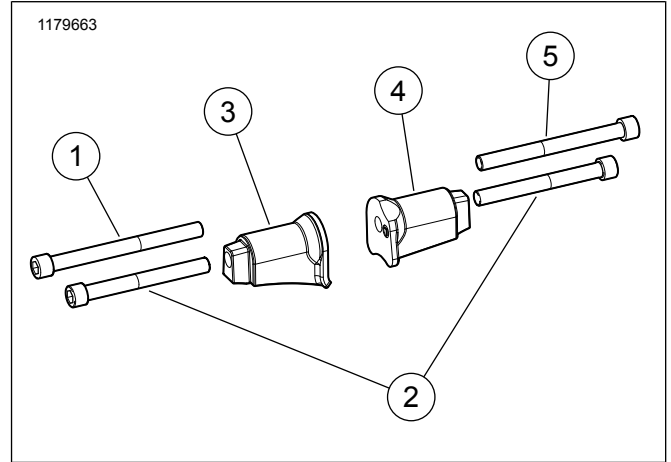


Figure 10. Service Parts: Kit 50501118

Table 1. Service Parts

Kit	Item	Description (Quantity)	Part Number
50501113 50501114	1	Floorboard support, passenger, Chrome (2) Floorboard support, passenger, Black (2)	Not sold separately
	2	Pivot pin (4)	50933-86A
	3	Steel ball (2)	8860
	4	Spring (2)	33085-74
50501117	1	Screw, socket head cap	4209
	2	Footboard support adapter, RH (1)	Not sold separately
	3	Anti-rotation pin	Not sold separately
	4	Footboard support adapter, LH (1)	Not sold separately
	5	Screw, hex socket	675
50501118	6	Screw, hex socket	4693
	1	Screw, hex socket	4519
	2	Screw, hex socket (2)	4693
	3	Footboard support adapter, RH (1)	Not sold separately
	4	Footboard support adapter, LH (1)	Not sold separately
	5	Screw, socket head cap	4202
Items Mentioned in text, but not included in kits:			
	A	Floorboard (2)	
	B	Saddlebag guard	